

**3 Pole
With Ground**
PROTECTION
IP65
RATING

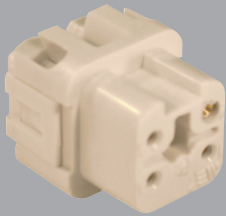


**Component
Parts**

Pre-Assembled Units

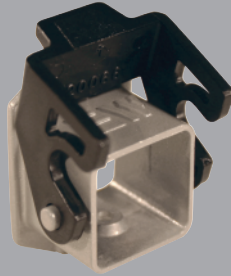
Covers

**FEMALE
Insert**



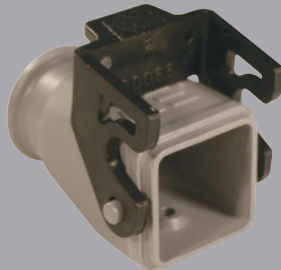
29008

**Bulkhead
Housing**



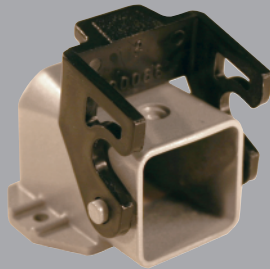
29013

Hood

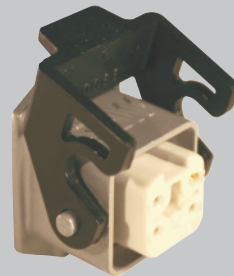


29015
29015M

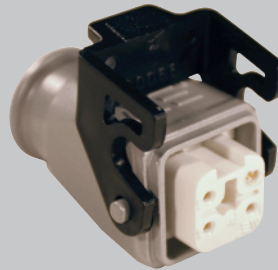
**Surface Mount
Housing**



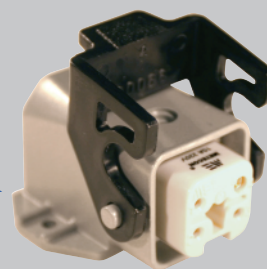
29014



403001



403004
403004M



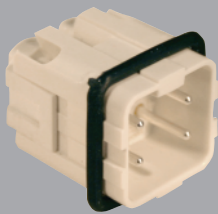
403002



29640

Standard Part Numbers are
NPT threads.
Part numbers with an "M"
are metric thread.

**MALE
Insert**



29009

Hood



29017
29017M



403005
403005M



29642



Connectors should not be coupled
and decoupled under electrical load.

Inserts

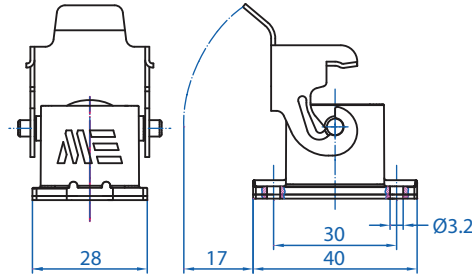
Number of contacts	3 Pole w/ ground
Electrical data to DIN EN61 984	10A 240V 6KV 3
Current	10A
Voltage	240V
Rated Impulse Voltage	6kV
Insulation Resistance	≥10 ¹⁰ Ω
Temperature Range	-40 to 125°C
Flammability	UL94-V0

Contacts

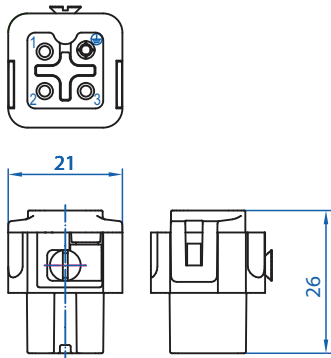
Screw terminal	Copper alloy
Material	hard-silver
Surface plated	≤ 1m Ω
Contact resistance	2.5mm ² / 14 AWG
Wire size	0.5Nm
Torque	7.5mm
Stripping Length	

Metal Hoods & Housings

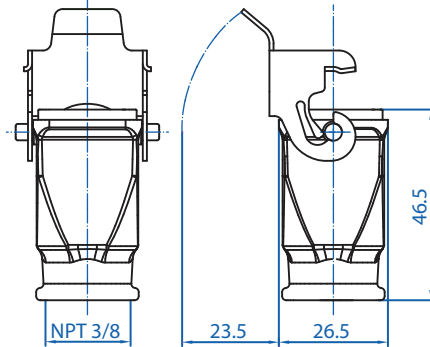
Material	Aluminum
Surface	Powder coated
Seals	NBR
Degree of Protection Acc To	IP65
DIN EN60529 for coupled connectors	NPT 3/8" or M20
Thread Size	



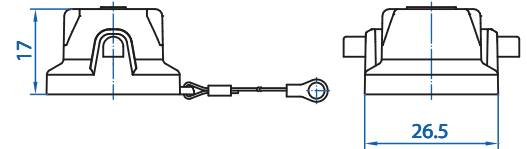
29013



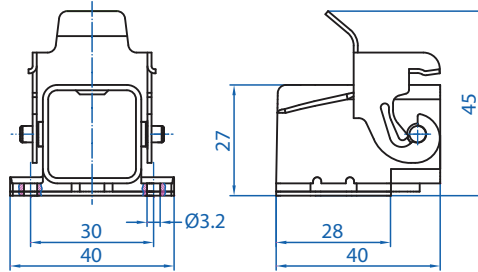
29008



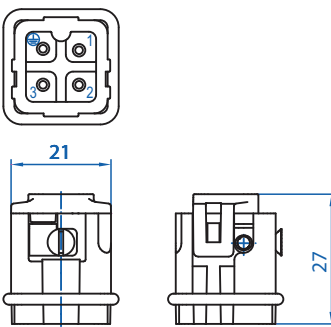
29015



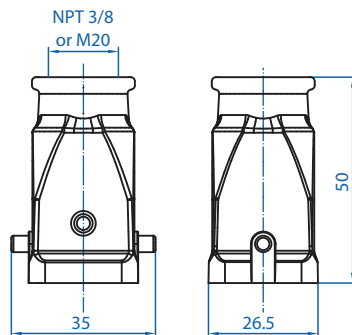
29640



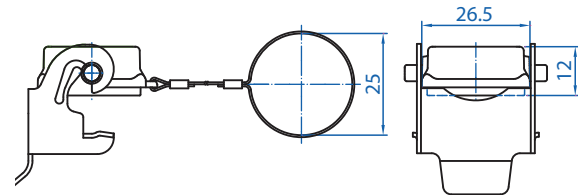
29014



29009



29017



29642



Connectors should not be coupled and decoupled under electrical load.

All dimensions are shown in millimeters. To convert to inches divide by 25.4.

Mouser Electronics

Authorized Distributor

Click to View Pricing, Inventory, Delivery & Lifecycle Information:

[Altech:](#)

[29008](#) [29009](#) [403001](#) [403002](#) [403004](#) [403005](#) [403004M](#) [403005M](#)