

REVISIONS			
REV	DESCRIPTION, ECN, EAR NO.	DATE	APP'D
A	PROPOSAL	MAR 14/12	A.G
B	REMOVE KEY FEATURE PER P/N.	SEP 29/12	L.CHAN
C	SPECIFIC THE SHIELDED DRAWING.	APR 10/14	L.CHAN
D	FIX THE ERROR PER ECN 16089B	JAN 03/17	L.CHAN
E	ADD HALOGEN FREE OPTIONS	JUL 02/18	L.CHAN
E	UPDATE HALOGEN FREE OPTIONS	JUL 25/18	L.CHAN

1. MATERIALS:
 PLASTIC HOUSING: THERMOPLASTIC PER MATERIAL OPTION IN PART NO.
 FLAMMABILITY RATING UL 94V-0
 COLOUR: BLACK

CONTACTS: PHOSPHOR BRONZE
 PLATING: REFER TO PART NO. FOR GOLD THICKNESS ON MATING SURFACES.
 50 u" [1.27 MICRONS]
 MIN. NICKEL UNDERPLATE
 100 u" [2.54 MICRONS]
 MIN. MATTE TIN ON CONTACT TAILS.

SHIELD: STAINLESS STEEL WITH TIN DIPPED PCB TAILS.

AMPHENOL PART NUMBER: RJE74-1XX-1X10-X

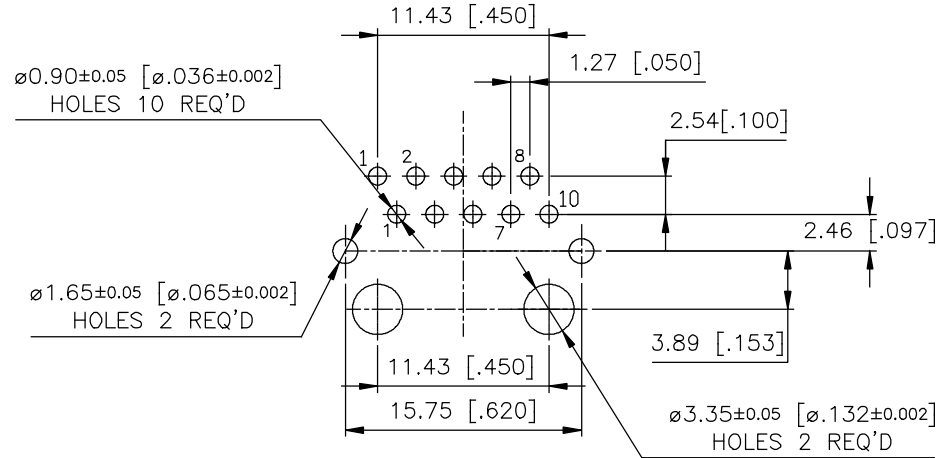
NUMBER OF POSITION
 8= 8 POSITION
 A= 10 POSITION

NUMBER OF CONTACT
 4= 4 CONTACT
 6= 6 CONTACT
 8= 8 CONTACT
 A= 10 CONTACT

SHIELD OPTION
 1= FULL SHIELD

GOLD PLATING
 1 = 6u" 3 = 30u"
 2 = 15u" 4 = 50u"

BLANK= PBT, TRAY PACKAGING, W/O MYLAR
 A= HIGH TEMP. MATERIAL, TRAY PACKAGING, W/O MYLAR
 H= HIGH TEMP. MATERIAL TAPE/REEL PACKAGING, WITH MYLAR
 F= HIGH TEMP. MATERIAL, HALOGEN FREE TRAY PACKAGING, W/O MYLAR



RECOMMENDED P.C.B LAYOUT
 (COMPONENT SIDE OF BOARD)
 TOLERANCES: +/- 0.05 [.002],
 BASED ON PRODUCT WITH SHIELD)

LOCATE HOLES
 $\phi \pm 0.13 [0.005]$
 POSITION DIMENSIONS
 ARE BASIC



PART NUMBER	DIM A	DIM B	MYLAR OPTIONS
RJE74-1XX-1X10	16.61 [.654]	16.26 [.640]	WITHOUT MYLAR
RJE74-1XX-1X10-A	16.61 [.654]	16.26 [.640]	WITHOUT MYLAR
RJE74-1XX-1X10-H	16.7 [.657]	16.35 [.644]	WITH MYLAR
RJE74-1XX-1X10-F	16.61 [.654]	16.26 [.640]	WITHOUT MYLAR

UNLESS SPECIFIED OTHERWISE	DRAWN	G.HSIA	MAR 15/12
PRIMARY UNITS MILLIMETERS	CHECKED		
SECONDARY INCHES	M.E. APP'D		
REFERENCE IN PARENTHESES	Q.A. APP'D		
GENERAL TOLERANCES	DWG APP'D	L.CHAN	MAR 15/12
1 DECIMAL PLACE ±0.38	ENG. REL. NO.		
2 DECIMAL PLACES ±0.25	REF.		
3 DECIMAL PLACES			
ANGULAR DEGREES ±1.5°	THIRD ANGLE PROJECTION		
	DO NOT SCALE DRAWING		

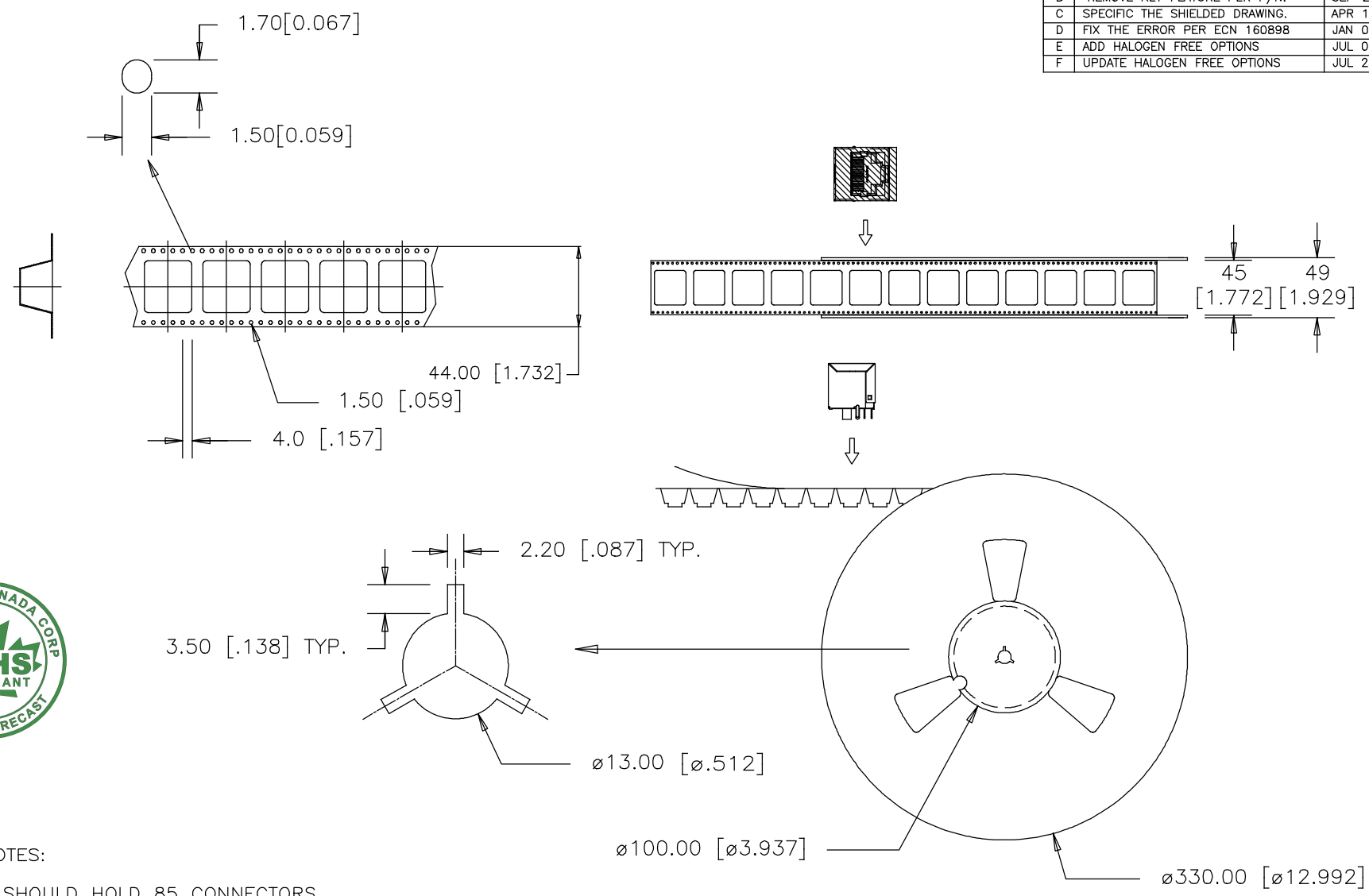
Amphenol Canada Corp.
 Commercial Products

TITLE
 MODULAR JACK, POSITION & CONTACT
 OPTION, WITH SHIELD, KAPTON TAPE OPTION,
 -RoHS COMPLIANT

DWG NO. P-RJE74-1XX-1X11-X

CODE ID NO. 03554 | DWG SIZE: C | SCALE: N/A | SHEET 1 OF 2

REVISIONS			
REV	DESCRIPTION, ECN, EAR NO.	DATE	APP'D
A	PROPOSAL	MAR 14/12	A.G
B	REMOVE KEY FEATURE PER P/N.	SEP 29/12	L.CHAN
C	SPECIFIC THE SHIELDED DRAWING.	APR 10/14	L.CHAN
D	FIX THE ERROR PER ECN 16089B	JAN 03/17	L.CHAN
E	ADD HALOGEN FREE OPTIONS	JUL 02/18	L.CHAN
F	UPDATE HALOGEN FREE OPTIONS	JUL 25/18	L.CHAN



PACKAGING NOTES:

1. ONE REEL SHOULD HOLD 85 CONNECTORS.
2. 10 EMPTY CAVITIES FOR BOTH TOP AND BOTTOM OF THE CARRIER.
3. A FULLY LOADED CARTON SHOULD CONTAIN 5 REELS (425 PCS) OF CONNECTOR.

UNLESS SPECIFIED OTHERWISE	DRAWN	G.HSIA	MAR 15/12
PRIMARY UNITS MILLIMETERS	CHECKED		
SECONDARY INCHES	M.E. APP'D		
REFERENCE IN PARENTHESSES	Q.A. APP'D		
GENERAL TOLERANCES	DWG APP'D	L.CHAN	MAR 15/12
1 DECIMAL PLACE ±0.38	ENG. REL. NO.		
2 DECIMAL PLACES ±0.25	REF.		
3 DECIMAL PLACES	THIRD ANGLE PROJECTION		
ANGULAR DEGREES ±1.5°	DO NOT SCALE DRAWING		

Amphenol Canada Corp. Commercial Products	
TITLE MODULAR JACK, POSITION & CONTACT OPTION, WITH SHIELD, KAPTON TAPE OPTION, -RoHS COMPLIANT	
DWG NO. P-RJE74-1XX-1X11-X	REV F
CODE ID NO. 03554	DWG SIZE: C
SCALE: N/A	SHEET 2 OF 2

Mouser Electronics

Authorized Distributor

Click to View Pricing, Inventory, Delivery & Lifecycle Information:

Amphenol:

[RJE741AA1210](#) [RJE741AA0211A](#) [RJE741AA0110](#) [RJE741AA0111](#) [RJE741880310](#) [RJE741AA0411H](#)
[RJE741880210](#) [RJE741AA1110H](#) [RJE741AA0410H](#) [RJE741AA1410H](#) [RJE741AA1211](#) [RJE741881110A](#)
[RJE741881410H](#) [RJE741AA1111H](#) [RJE741AA0410A](#) [RJE741881110](#) [RJE741881210A](#) [RJE741AA0311A](#)
[RJE741880410](#) [RJE741AA1311A](#) [RJE741AA1310](#) [RJE741AA0210](#) [RJE741AA0211](#) [RJE741AA0310A](#)
[RJE741881310A](#) [RJE741880110H](#) [RJE741AA0310](#) [RJE741AA1411H](#) [RJE741AA0111H](#) [RJE741AA0110H](#)
[RJE741880210H](#) [RJE741AA0411A](#) [RJE741880310H](#) [RJE741AA1411](#) [RJE741880410H](#) [RJE741AA1110A](#)
[RJE741AA0311](#) [RJE741AA1311](#) [RJE741881310](#) [RJE741AA1210A](#) [RJE741AA0411](#) [RJE741AA0410](#)
[RJE741AA1211H](#) [RJE741AA0210H](#) [RJE741AA0211H](#) [RJE741880110A](#) [RJE741AA0111A](#) [RJE741881110H](#)
[RJE741AA0110A](#) [RJE741881410](#) [RJE741AA1110](#) [RJE741881210H](#) [RJE741AA0310H](#) [RJE741AA1111](#)
[RJE741AA1210H](#) [RJE741881210](#) [RJE741AA1111A](#) [RJE741AA0210A](#) [RJE741880110](#) [RJE741AA1310A](#)
[RJE741880310A](#) [RJE741880210A](#) [RJE741AA1211A](#) [RJE741AA0311H](#) [RJE741880410A](#) [RJE741881310H](#)