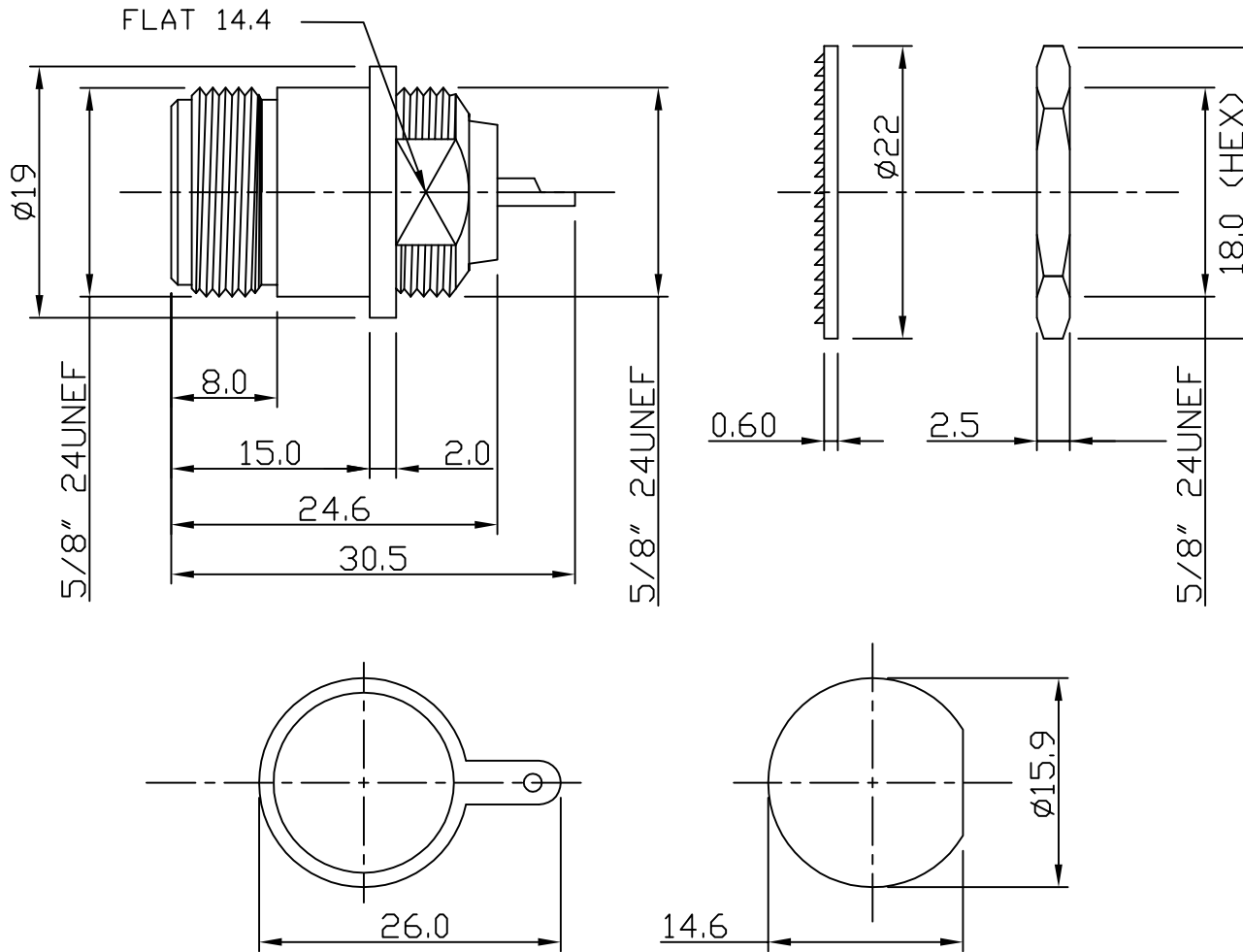


RoHS COMPLIANT



Electrical Characteristics

Nominal Impedance: 50 ohms
 Frequency Range: DC to 11 GHz
 Operating Voltage (rms): 1500V maximum at sea level
 Dielectric Withstand Voltage (rms): 2500V maximum at sea level
 Contact Resistance: 1.0 milliohms maximum
 Insulation Resistance: 5000 megaohms maximum

Mechanical Characteristics

Mating Cycles: 500 cycles minimum
 Interface Dimensions: Conform to MIL-C-39012

Environmental Characteristics

Temperature Range: -55 °C to +85 °C

	PART	DESCRIPTION
1	Body	Brass, nickel plated
2	Dielectric	PTFE
3	Contact	Brass, Gold Plated
4	Nut	Brass, nickel plated
5	Washer	Brass, nickel plated
6	Earth Tab	Brass, nickel plated

First Issue	AT	1	23 May 06
DESCRIPTION OF REVISION	APPVD	ISS	DATE



Cinch Connectivity Solutions
 7-13 Russel Way,
 Widford Industrial Estate,
 Chelmsford, Essex,
 CM1 3AA, UK.
 Tel: +44 (0) 1245 359515
 Fax: +44 (0) 1245 358938

SCALE: Not To Scale	DRAWN BY:	A Tusi
DIMENSIONS: mm	CHECKED BY:	M Terry
TOLERANCES: ± 0.2mm unless otherwise stated	APPROVED BY:	J Williams
	DATE:	23 May 06

TITLE:
Panel Mount Jack - 50 Ohms

PART NUMBER:
VN513
 PAGE: 1 of 1

Mouser Electronics

Authorized Distributor

Click to View Pricing, Inventory, Delivery & Lifecycle Information:

[Cinch Connectivity Solutions:](#)

[VN513](#)