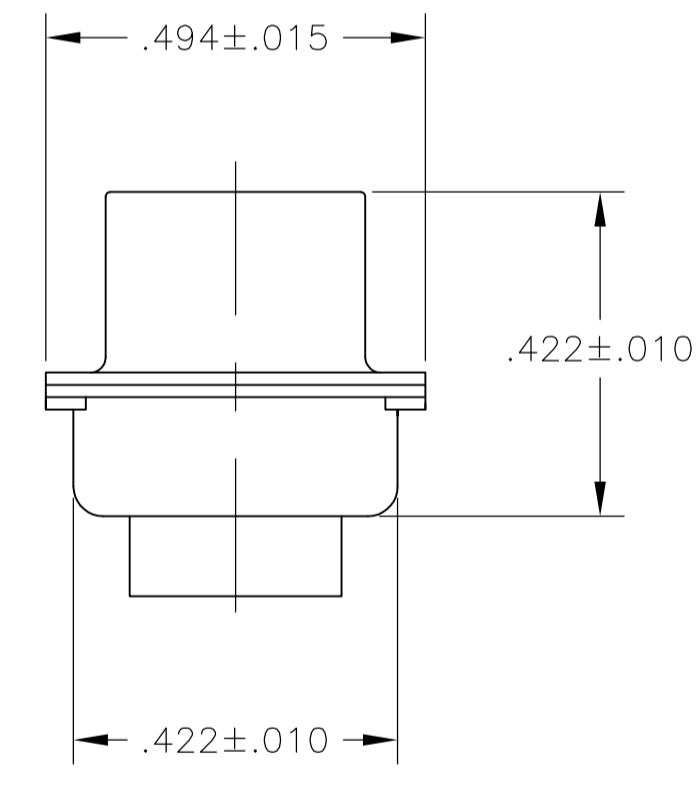
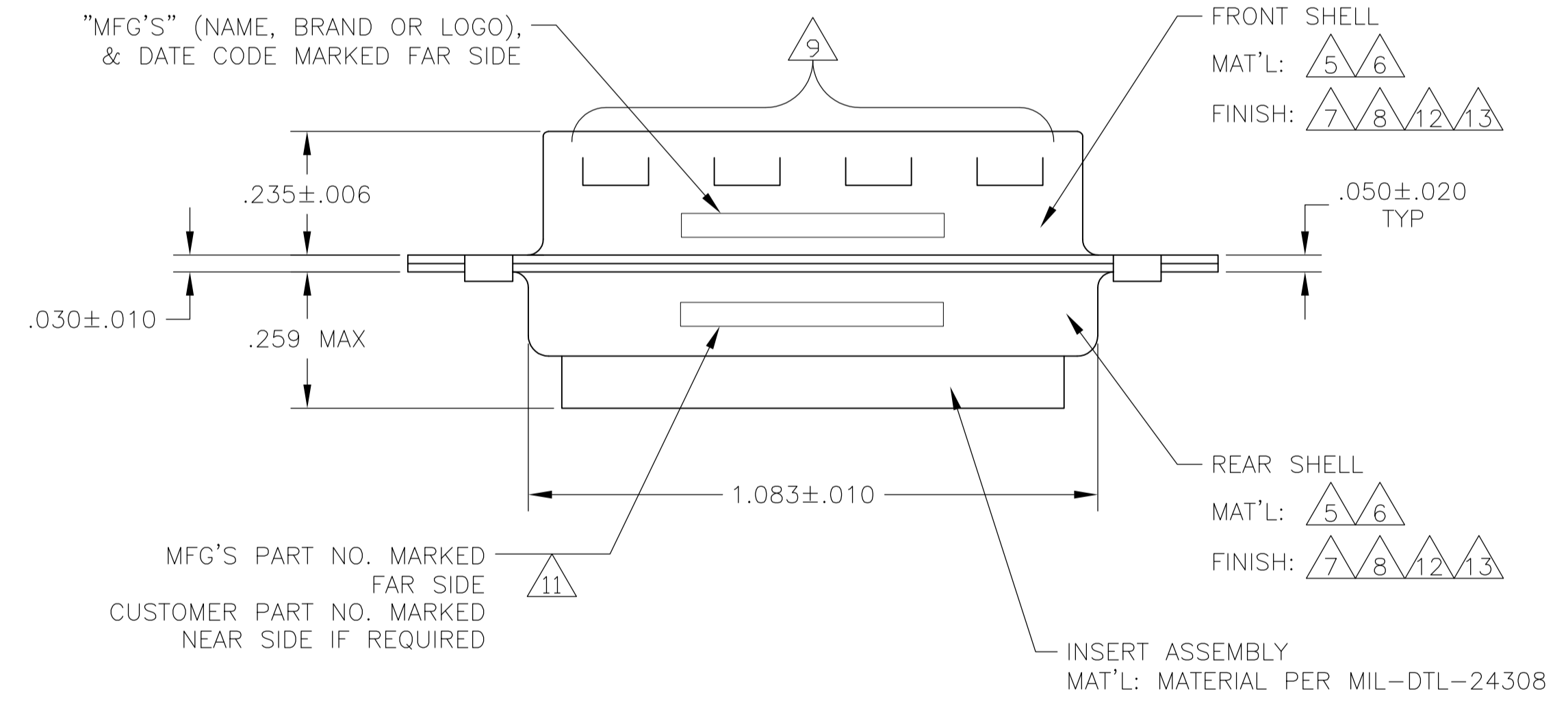
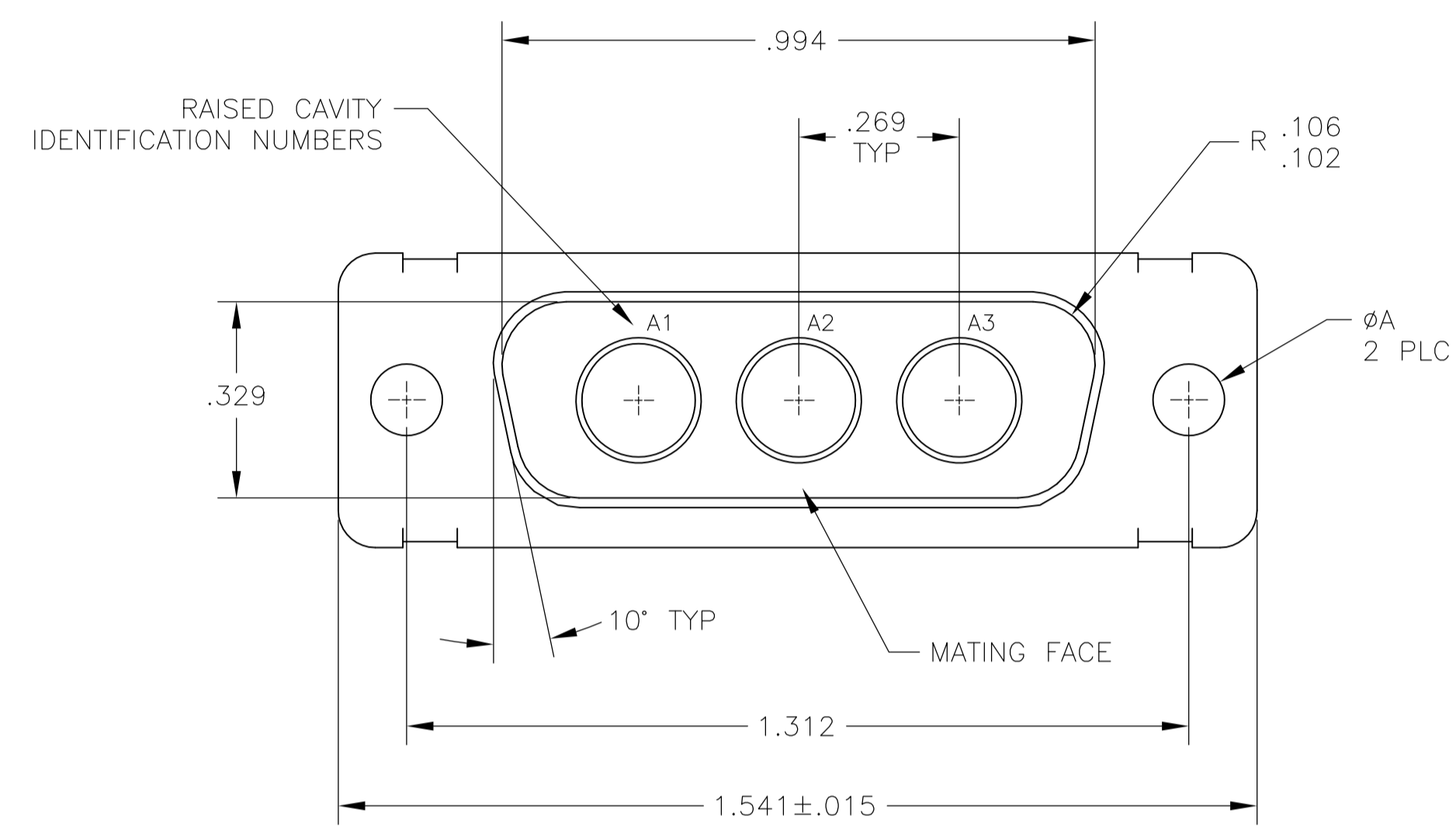


LOC		DIST		REVISIONS			
P	T	LTR	DESCRIPTION	DATE	DNW	APVD	
T			REVISED PER ECO-15-016251	13NOV15	KG	CD	



1. THIS PLUG WILL MATE WITH ANY 3C3, SIZE 2 RECEPTACLE IN AMPLIMITE SERIES.
2. THIS PLUG IS DESIGNED TO CONFORM TO THE LATEST ISSUE OF MIL-C-24308.
3. THIS CONNECTOR ACCEPTS (3) POWER 8, OR COAX PIN CONTACTS IN POSITIONS A1 THRU A3, PURCHASED SEPARATELY.
4. RAISED NUMBERS FOR IDENTIFICATION OF CIRCUIT HOLES.
5. STEEL PER ASTM-A-109.
6. BRASS PER MIL-C-50 AND ASTM-B-36 UNS NO. C26000.
7. CADMIUM PLATED PER QQ-P-416.
8. GOLD PLATED PER MIL-G-45204 TYPE II, GRADE C, CLASS 1 OVER COPPER PER MIL-C-14550, CLASS IV.
9. GROUNDING INDENTS FOR 448153-4 & 5-448153-4 ONLY.
10. "MFG'S" (NAME, BRAND OR LOGO) AND DATE CODE INK STAMPED ON FRONT SHELL, FAR SIDE. MFG'S PART NUMBER INK STAMPED ON REAR SHELL, FAR SIDE. FAR SIDE REFERS TO WIDE SIDE OF KEYSTONE.
11. CUSTOMER PART NUMBER MAY BE SPLIT BETWEEN FRONT AND REAR SHELL, NEAR SIDE.
12. FINISH: TIN PER ASTM-B-545 .000400 MIN THK OVER COPPER PER AMS2418 .000050 MIN THK.
13. FINISH: ZINC PLATE PER ASTM-B-633 .000200-.000400 THK WITH SUPPLEMENTARY CHROMATE (Cr3+).

5 7	.120 [3.05]	T5935-0103-002	448153-7
12 10 5 9	.120 [3.05]	-	5-448153-4
5 13	.120 [3.05]	-	5-448153-1
6 8	.120 [3.05]	B010942-0013	448153-5
12 10 5 9	.120 [3.05]	-	448153-4
6 8	.154 [3.91]	311P405-7P-B-15	448153-3
6 8	.120 [3.05]	311P405-7P-B-12	448153-2
5 7	.120 [3.05]	-	448153-1
REMARKS	ØA	CUSTOMER PART NO.	PART NO.

THIS DRAWING IS A CONTROLLED DOCUMENT.

DIMENSIONS: INCHES	TOLERANCES UNLESS OTHERWISE SPECIFIED:	DIN 27-May-15 MANJUNATH G.M. CHK 27-May-15 CHARLES THOMAS APVD 27-May-15 CHARLES THOMAS NAME	STE TE Connectivity
0 PLC ± -	1 PLC ± -	PRODUCT SPEC	PLUG ASSEMBLY
2 PLC ± -	3 PLC ± .005(0.13)	APPLICATION SPEC	AMPLIMITE 3C3
4 PLC ± -	ANGLES ± # 0° 30'	SIZE	SIZE 2, SERIES 109, COAX
MATERIAL	FINISH	WEIGHT	RESTRICTED TO
		A1 00779	448153
CUSTOMER DRAWING		SCALE 4:1	SHEET 1 OF 1 REV T

# Mouser Electronics

Authorized Distributor

Click to View Pricing, Inventory, Delivery & Lifecycle Information:

[TE Connectivity:](#)

[5-448153-4](#)