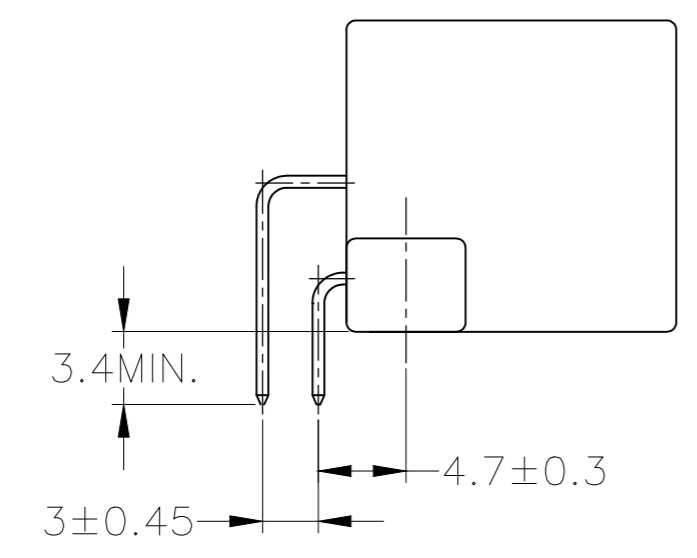
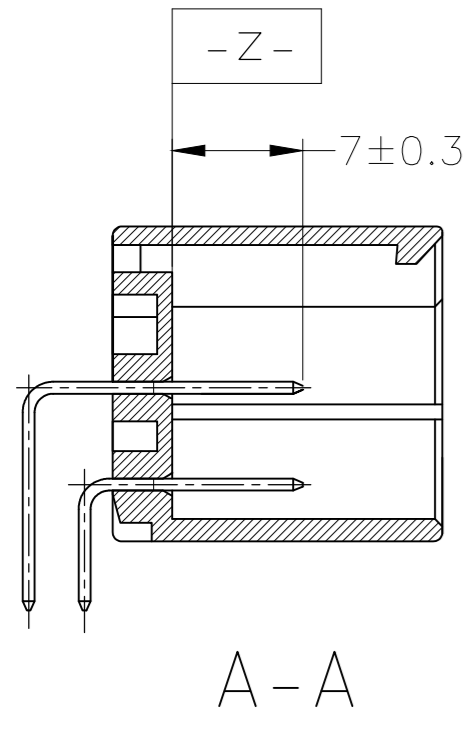
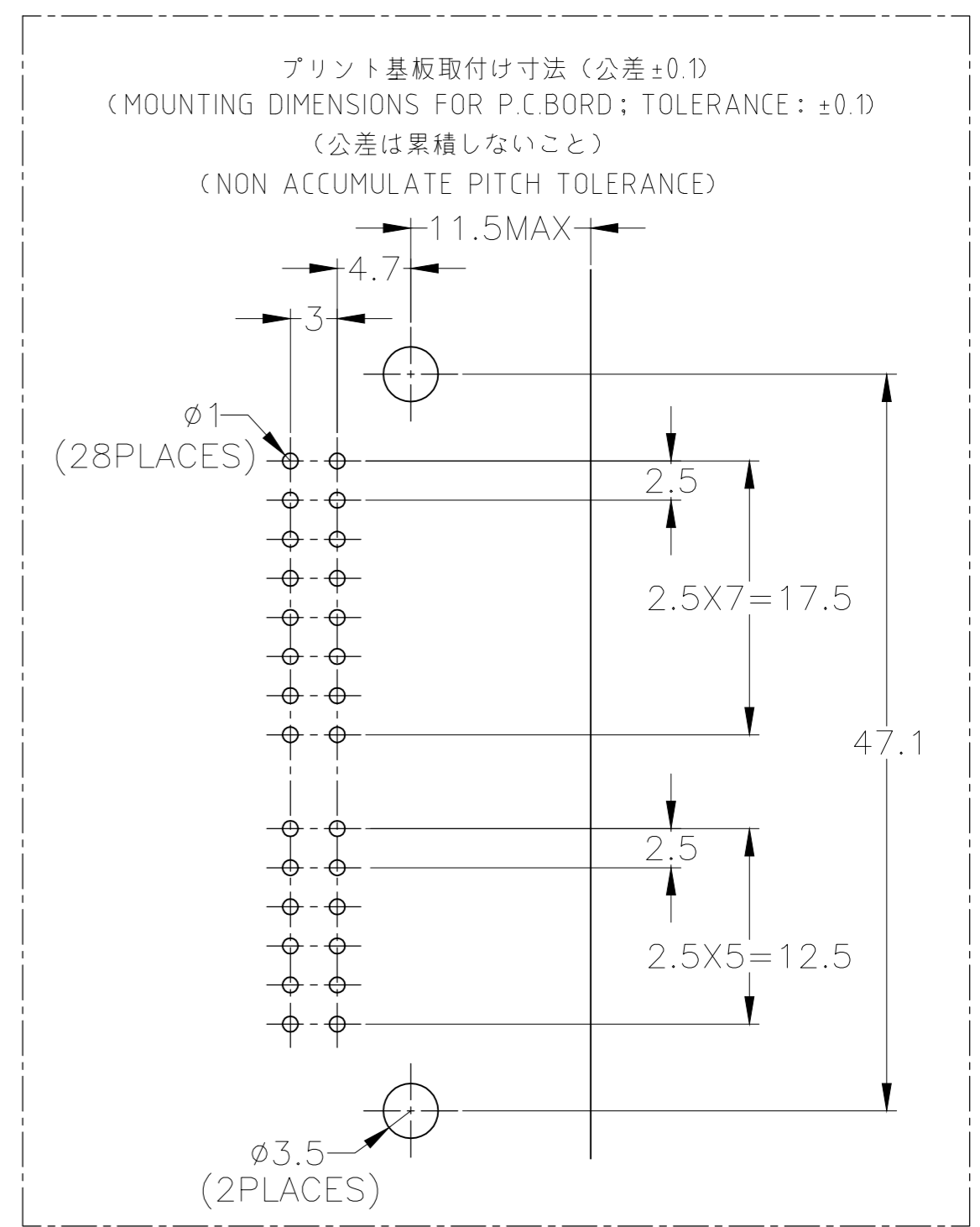
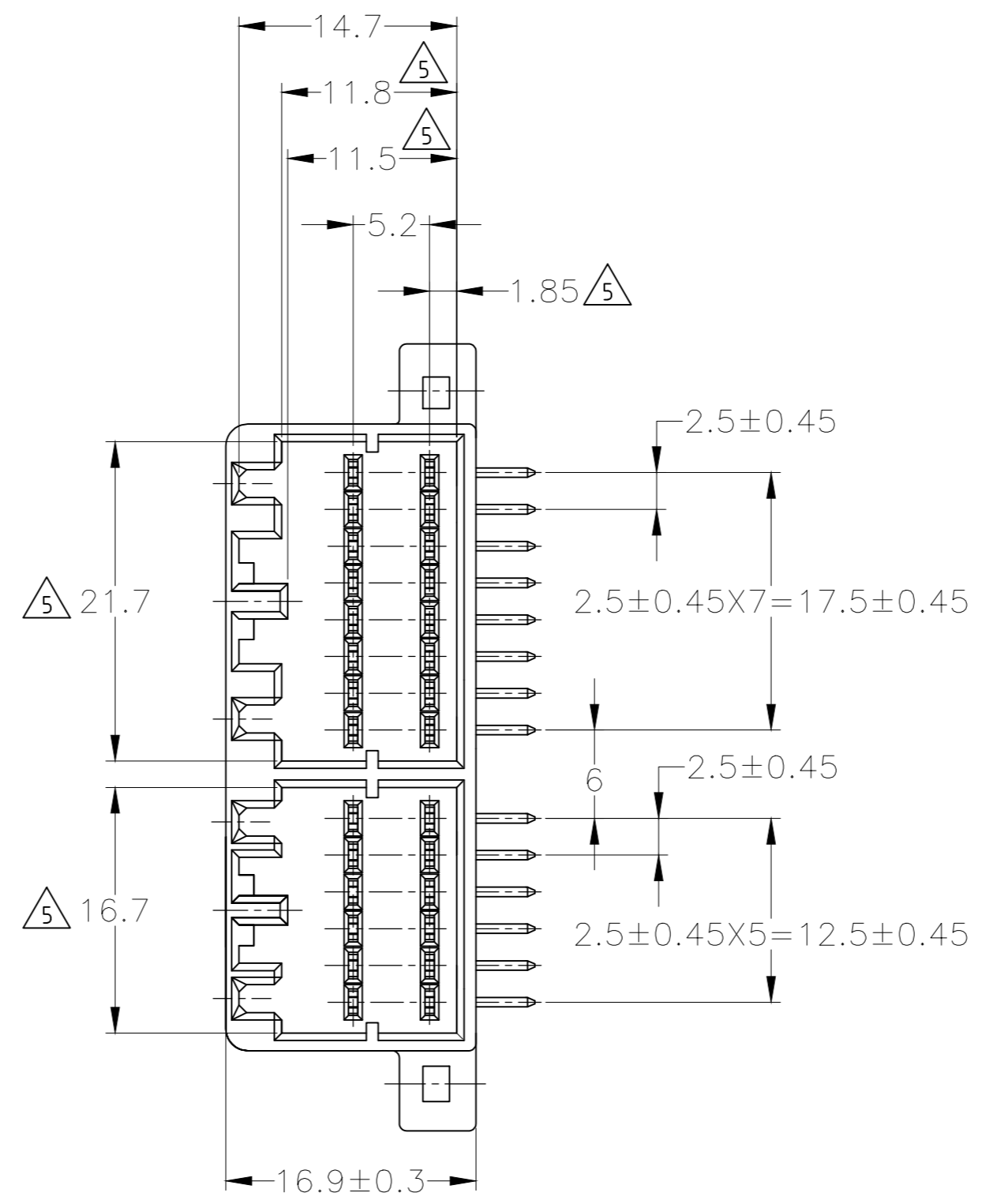
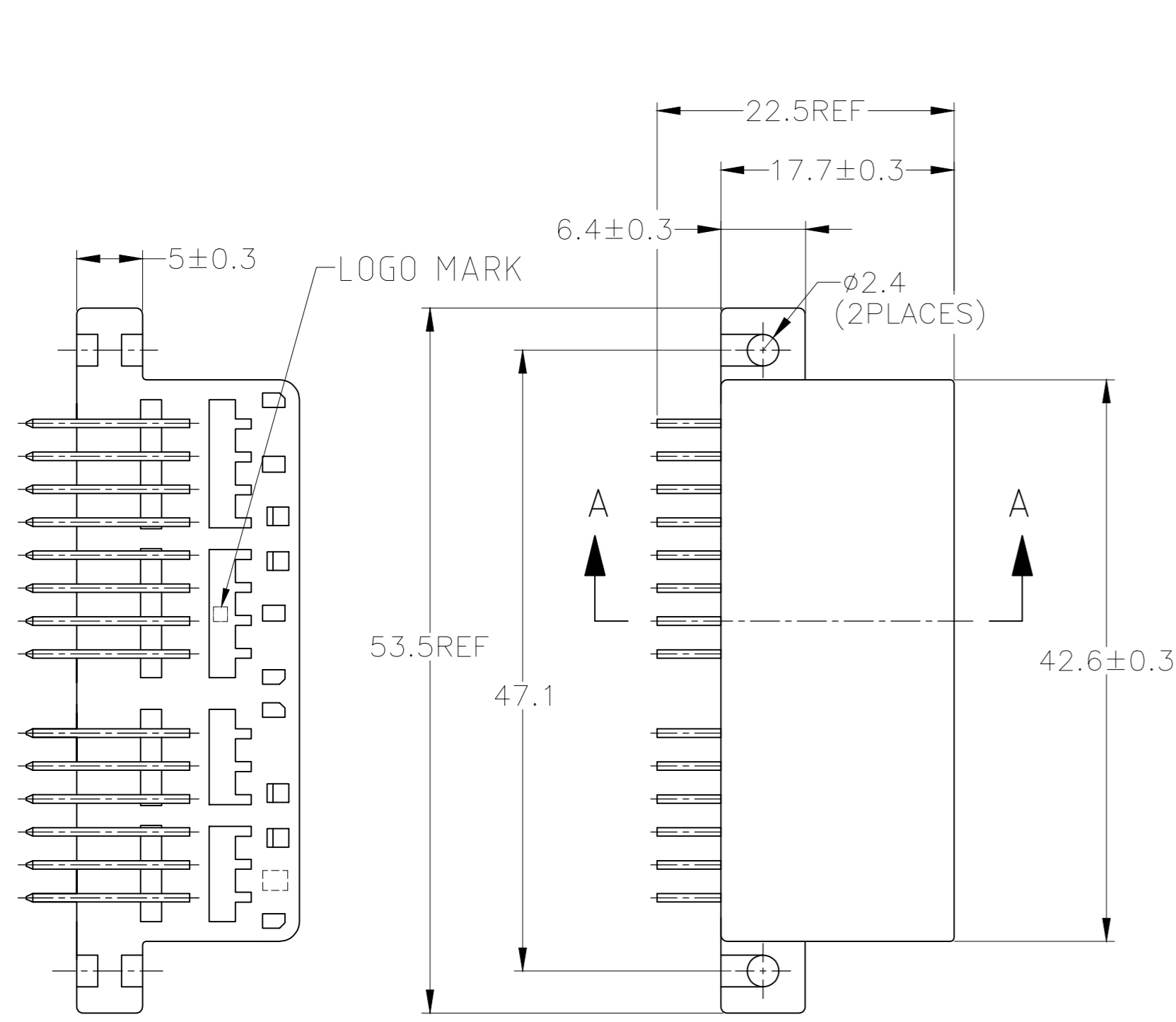


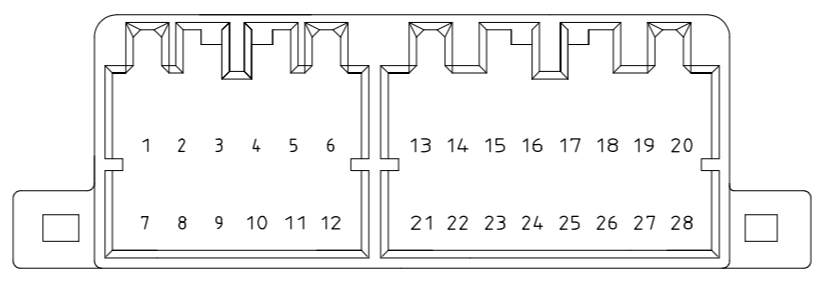
THIS DRAWING IS UNPUBLISHED. RELEASED FOR PUBLICATION
 © COPYRIGHT - By - ALL RIGHTS RESERVED.

REVISIONS					
P	LTR	DESCRIPTION	DATE	DWN	APVD
C2	REVISED	ECR-18-004166	19MAR2018	TS	HY



- 適用プリント基板厚; 1.6mm
 - 推奨取付けネジ: JIS B1115, B1122 タッピングネジ、ナベ2種呼び径3、長さ6mm以上(締付トルク; 39.2n-cm以下)
 - 嵌合相手ハウジング; 175965, 175966
 - 適用製品規格番号; 108-5281
- △ -Z- 面から2mmの範囲で測定
 △ 回路番号; 下図参照のこと

- APPLICABLE P.C.B BOARD THICKNESS; 1.6mm
 - RECOMMENDED MOUNTING SCREW 3mm DIA 6mm LENGTH (MIN.) TAPPING SCREW SPECIFIED IN JIS B1115, B1122 (TIGHTENING TORQUE; 39.2N-cm MAX.)
 - THE MATING PLUG HOUSING PART NUMBER; 175965, 175966
 - APPLICABLE PRODUCT SPEC No.; 108-5281
- △ TO BE MEASURED WITHIN 2mm FROM -Z-
 △ CIRCUIT NUMBER



SELECTIVE-TIN (MATTE)	SELECTIVE GOLD × 4	⑥ ⑫ ⑳ ㉓	黒 (BLACK)	3-5175976-2
	PRE-TIN × 24			
SELECTIVE-TIN (MATTE)	SELECTIVE GOLD × 28	全回路 (ALL CIRCUIT)	黒 (BLACK)	1-5175976-2
TIN-LEAD	SELECTIVE GOLD × 4	⑥ ⑫ ⑳ ㉓	黒 (BLACK)	3-175976-2
	PRE-TIN × 24			
TIN-LEAD	SELECTIVE GOLD × 3	④ ⑤ ⑥	黒 (BLACK)	2-175976-2
	PRE-TIN × 25			
TIN-LEAD	SELECTIVE GOLD × 28	全回路 (ALL CIRCUIT)	黒 (BLACK)	1-175976-2
SELECTIVE-TIN (MATTE)	SELECTIVE GOLD × 2	⑭ ㉒	黒 (BLACK)	175976-3
	SELECTIVE-TIN (BRIGHT) × 26			
	PRE-TIN × 28	-	黒 (BLACK)	175976-2
SOLDERING SIDE 半田付け部	CONTACT SIDE 接触部側	△ CIRCUIT NO OF GOLD PLATED CONTACT 金めっき端子使用回路番号	HOUSING COLOR ハウジング色	PART NUMBER 型番
	CONTACT FINISH コンタクト仕上げ			

TOLERANCE UNLESS OTHERWISE SPECIFIED:
 一般公差

0 < x ≤ 10	: ±0.2
10 < x ≤ 30	: ±0.25
30 < x ≤ 100	: ±0.3
ANGLE	: ±3°

THIS DRAWING IS A CONTROLLED DOCUMENT.

DIMENSIONS: 単位: 概 mm	TOLERANCES UNLESS OTHERWISE SPECIFIED: 一般公差	DWN A. YAMAGUCHI 05APR02	INSULATION DIA 絶縁外径
		CHK K. BETSUI 05APR02	
		APVD K. BETSUI 05APR02	TE Connectivity Ltd.
		PRODUCT SPEC 製品規格 SEE NOTE 4	NAME 名称 040 SERIES MULTI-LOCK I/O CONN. MK-II 28Pos. CAP HOUSING ASSEMBLY (H-TYPE)
MATERIAL 材料 HOUSING: PBT CONTACT: BRASS	FINISH 仕上	APPLICATION SPEC 取付適用規格	SIZE A2
		WEIGHT 9.14 g	CAGE CODE 00779
		CUSTOMER DRAWING	DRAWING NO 番号 C=175976
			RESTRICTED TO -
			SCALE 尺度 2:1
			SHEET 1 of 1
			REV C2