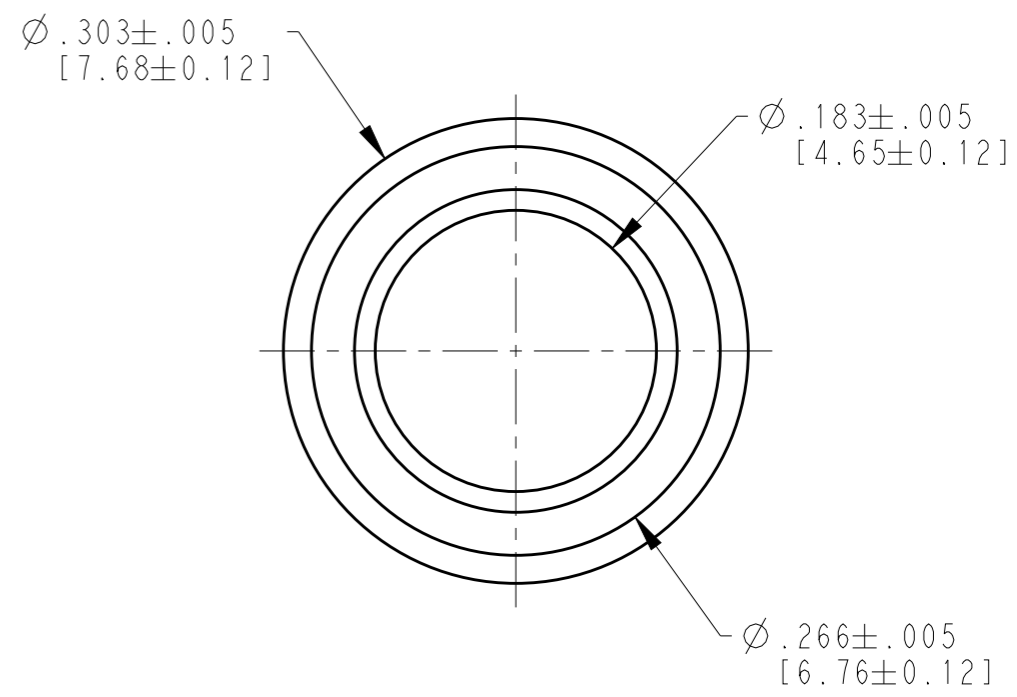
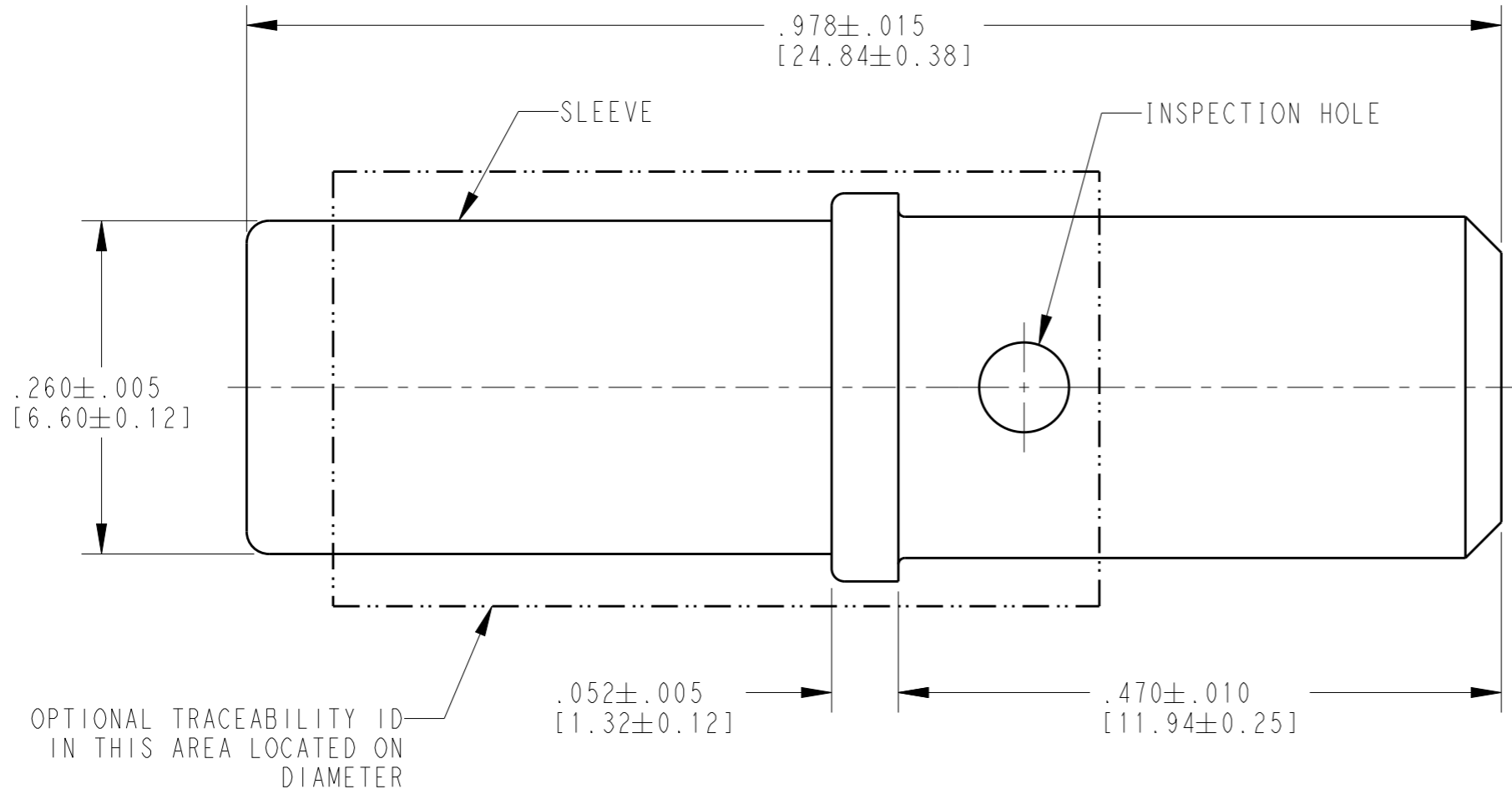


THIS DRAWING IS UNPUBLISHED
 RELEASED FOR PUBLICATION 2018
 © COPYRIGHT 2000 BY TE CONNECTIVITY ALL RIGHTS RESERVED.

REVISIONS					
P	LTR	DESCRIPTION	DATE	DWN	APVD
	NC	NEW RELEASE PER E.O. P17010	19DEC2000	DM	RDR
	A	REVISED PER PCN E-18-012207	31JUL2018	JA	DM



- 2. WIRE RANGE: 10 AWG TO 8 AWG [5.0 - 8.0 mm²].
- 1. THIS CONTACT MAY BE CRIMPED WITH HDP-400 POWER CRIMPER OR HDT-04-08 HAND TOOL.

NOTES: UNLESS OTHERWISE SPECIFIED

TE INTERNAL PN	DEUTSCH PN	PLATING
0462-203-08141	0462-203-08141	NICKEL

THIS DRAWING IS A CONTROLLED DOCUMENT.		DWN D. MEYER 29NOV2000														
DIMENSIONS: INCHES [mm]		CHK B. BYFORD 18DEC2000														
TOLERANCES UNLESS OTHERWISE SPECIFIED:		APVD R. REED 19DEC2000	NAME SOCKE, SOLID SIZE 8, 8 TO 10 AWG													
<table border="0"> <tr> <td>0 PLC</td> <td>±</td> </tr> <tr> <td>1 PLC</td> <td>±</td> </tr> <tr> <td>2 PLC</td> <td>±</td> </tr> <tr> <td>3 PLC</td> <td>±</td> </tr> <tr> <td>4 PLC</td> <td>±</td> </tr> <tr> <td>ANGLES</td> <td>±</td> </tr> </table>		0 PLC	±	1 PLC	±	2 PLC	±	3 PLC	±	4 PLC	±	ANGLES	±	PRODUCT SPEC 0425-015-0000	SIZE A3	
0 PLC	±															
1 PLC	±															
2 PLC	±															
3 PLC	±															
4 PLC	±															
ANGLES	±															
MATERIAL		APPLICATION SPEC 0425-205-0000	CAGE CODE 4AFU8	DRAWING NO 0462-203-08XX												
FINISH		WEIGHT 4.68g	RESTRICTED TO -													
		CUSTOMER DRAWING	SCALE 8:1	SHEET 1 OF 1												
			REV A													