

Max. 180 m³/h

AC axial fans

□ 119 x 38 mm

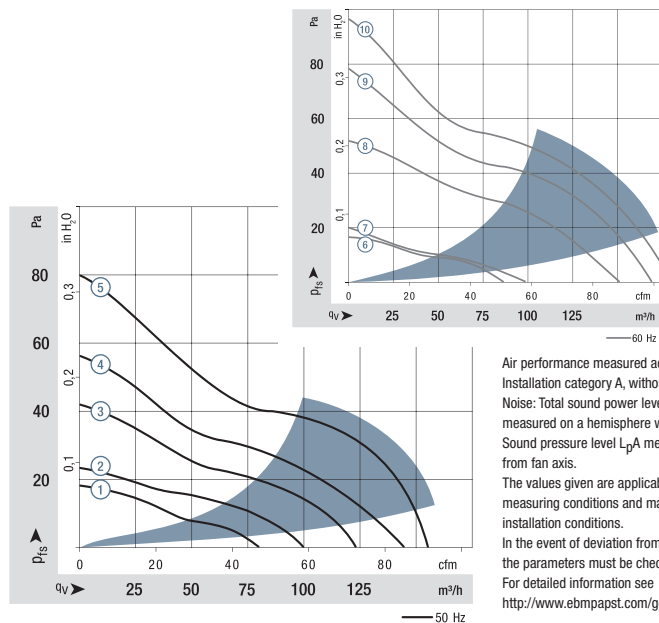


- **Material:** Housing: Die-cast aluminum
Impeller: painted sheet steel
 - **Direction of air flow:** Intake over struts
Types 4890 N and 4840 N
Exhaust over struts
 - **Direction of rotation:** Clockwise, looking towards rotor
 - **Connection:** Via 2 flat plugs 2.8 x 0.5 mm grounding lug for M4
 - **Weight:** 550 g
 - **Note:** Please note our new ACmaxx series. With identical mounting dimensions and voltages, this series achieves greater energy efficiency. See page 192.
- **Available as an option:** Versions with reinforced mounting flanges and exposed external single wires.
 - **Possible special versions:** (See page 12)
 - Speed signal
 - Moisture protection
 - Salt spray protection
 - Degree of protection: IP 54 / IP 65

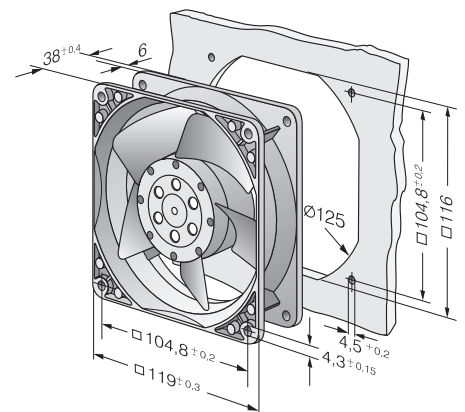
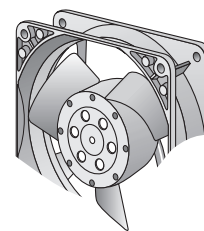
Series 4000 N

Nominal data	Air flow		Nominal voltage	Frequency	Sound pressure level	Sound power level	Sinter sleeve bearings Ball bearings	Power consumption	Nominal speed	Temperature range	Service life L ₁₀		Curve
	m ³ /h	cfm									at 40 °C	at T _{max}	
Type	m ³ /h	cfm	VAC	Hz	dB(A)	Bel(A)	□ / ■	Watts	rpm ⁻¹	°C	Hours	Hours	
4890 N	80	47.0	230	50	25	4.0	□	11.0	1 550	-10...+70	55 000 / 27 500		①
4850 N*	100	58.8	230	50	32	4.4	□	10.0	1 800	-10...+70	57 500 / 27 500		②
4580 N*	123	72.3	230	50	41	5.2	□	18.0	2 350	-10...+55	40 000 / 27 500		③
4550 N*	145	85.2	230	50	44	5.4	□	16.5	2 550	-10...+55	42 500 / 30 000		④
4650 N	160	94.1	230	50	46	5.4	□	19.0	2 650	-10...+55	37 500 / 27 500		⑤
4656 N	160	94.1	230	50	47	5.5	■	19.0	2 650	-40...+85	37 500 / 15 000		⑤
4840 N	85	50.0	115	60	26	4.1	□	10.0	1 650	-10...+75	57 500 / 25 000		⑥
4800 N*	97	57.0	115	60	32	4.3	□	9.0	1 750	-10...+75	60 000 / 27 500		⑦
4530 N*	151	88.8	115	60	45	5.4	□	16.0	2 700	-10...+65	42 500 / 25 000		⑧
4500 N*	169	100	115	60	48	5.7	□	15.0	3 000	-10...+65	47 500 / 25 000		⑨
4600 N	180	106	115	60	50	5.7	□	18.0	3 100	-10...+60	40 000 / 25 000		⑩
4606 N	180	106	115	60	51	5.8	■	18.0	3 100	-40...+90	40 000 / 15 000		⑩

Subject to change



Air performance measured according to: ISO 5801. Installation category A, without contact protection.
Noise: Total sound power level L_{WA} ISO 103002 measured on a hemisphere with a radius of 2 m. Sound pressure level L_{PA} measured at 1 m distance from fan axis.
The values given are applicable only under the specified measuring conditions and may differ depending on the installation conditions.
In the event of deviation from the standard configuration, the parameters must be checked after installation!
For detailed information see http://www.ebmpapst.com/general_conditions



Mouser Electronics

Authorized Distributor

Click to View Pricing, Inventory, Delivery & Lifecycle Information:

[ebm-papst:](#)

[4650N](#) [4500N](#) [4530N](#) [4580N](#) [4656N](#) [4660N](#) [4800N](#) [4840N](#) [4850N](#) [4890N](#) [4606N](#) [4600N](#) [4600VX-820](#) [4656NU](#)
[4550N](#) [4658N](#) [4628N](#) [4606VX](#) [4586NU](#) [4650VX](#) [4656VX-817](#)