

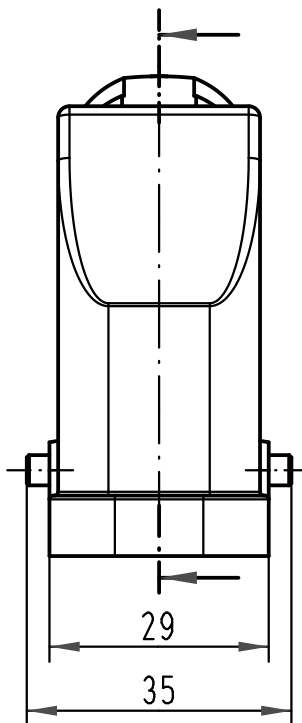
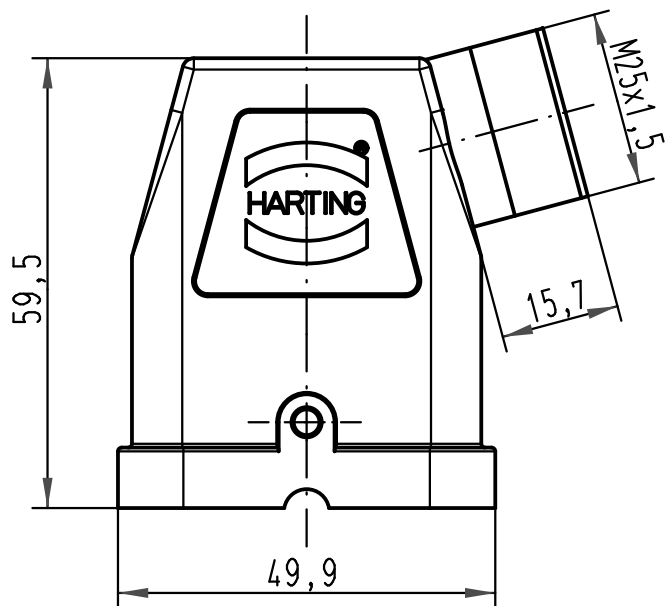
1 2 3 4 5 6

A

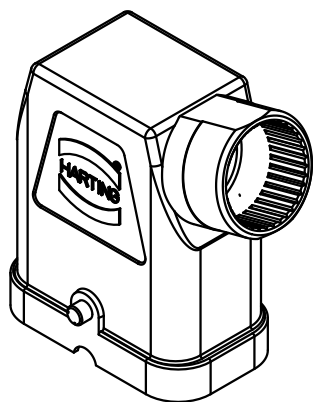
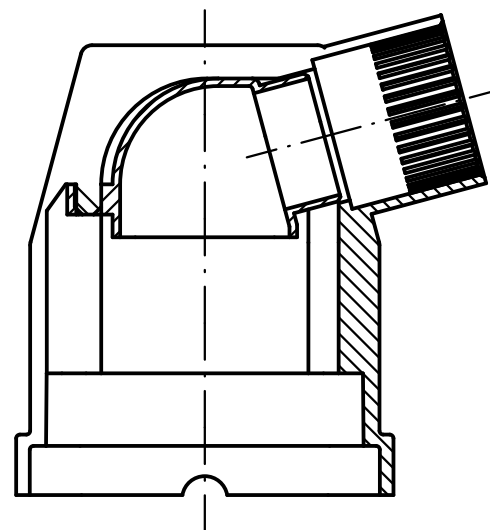
B

C

D



Innengehäuse montiert/
inner housing mounted



| | | | | | | | | | | |
|---|------|------|--------------------------------|---------|-------------|--|---|--|--|------------|
| ALL Dimensions in mm Original Size DIN A 4 | | | Techn. Character. | | | Nicht tolerierte Maße/Free size tolerances | | | | |
| | | | | Dat. | Name | Maßstab/Scale 1:1 | Han Compact-gs-M25 Tüllengehäuse-Metall-schwarz hood-metal-black | | | |
| | | | | Detail. | 06.04.10 ML | | | | | |
| | | | | Insp. | Sch | | | | | |
| | | | | Stand. | | | | | | |
| A | | | HARTING Electric GmbH & Co. KG | | | | TB 19 12 708 0501 | | | Blatt/page |
| Mod. | Dat. | Name | D-32339 Espelkamp | | | | | | | |

Mouser Electronics

Authorized Distributor

Click to View Pricing, Inventory, Delivery & Lifecycle Information:

[HARTING:](#)

[19127080501](#)