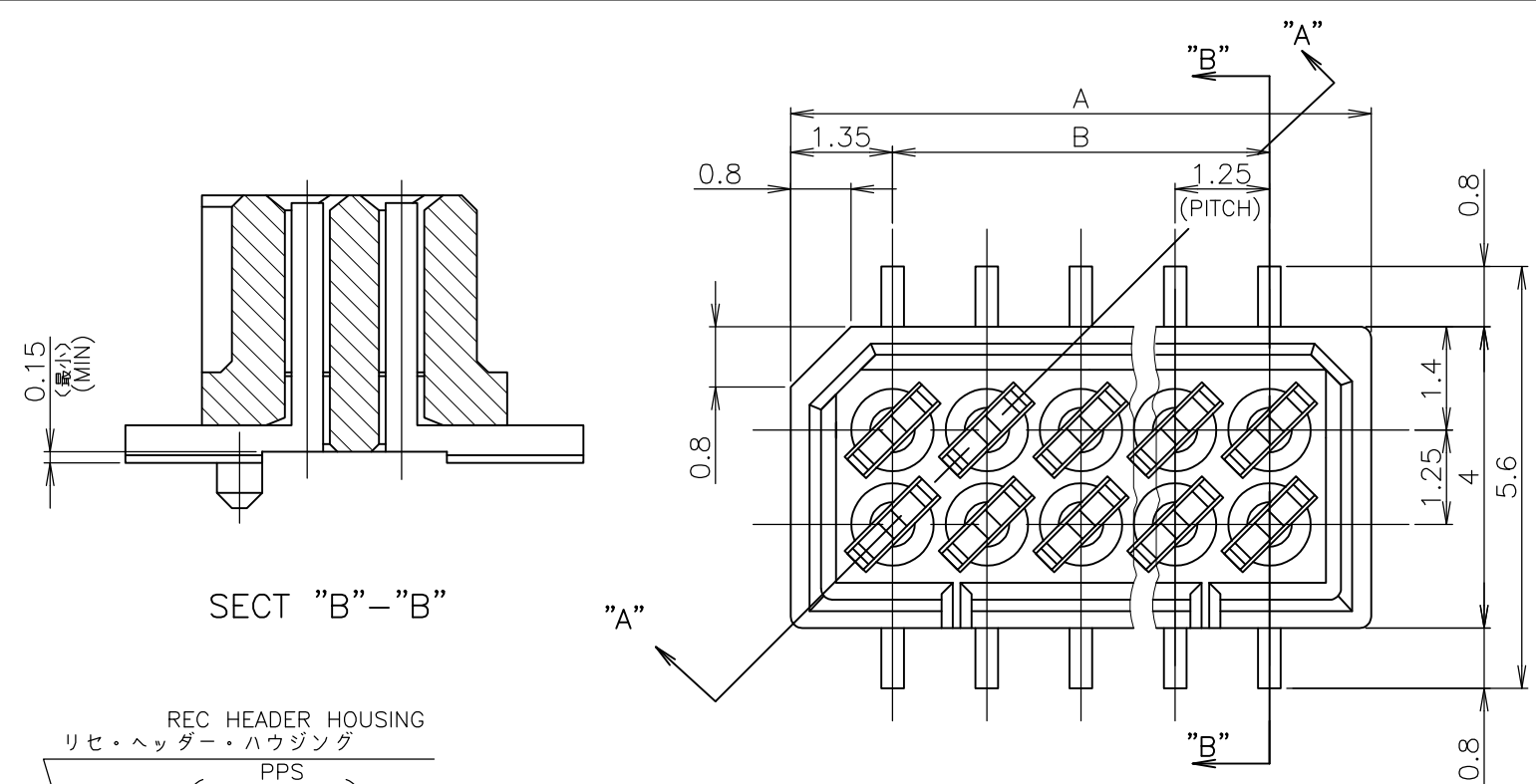


THIS DRAWING IS UNPUBLISHED. RELEASED FOR PUBLICATION ? ? ?
 © COPYRIGHT ? By - ALL RIGHTS RESERVED.

LOC	DIST	REVISIONS					
		P	LTR	DESCRIPTION	DATE	DWN	APVD
J		P2		REVISED PER ECR-14-010014	31NOV2014	I.T	W.H



1 嵌合相手製品型番及び、嵌合時寸法は
 MATING COUNTER PART NUMBER AND DIMENSIONS
 表-1 参照のこと。
 AFTER MATING: SEE TABLE 1.

嵌合時寸法: 巾(mm)×高さ(mm)
 DIMENSIONS AFTER MATING: WIDE(mm) x HEIGHT(mm)

MATING COUNTER CONN 嵌合相手側コネクタ POST HDR ASSY	製品型番	P/N	高さ H	REC HDR ASSY SMT V TYPE WITH BOSS X-174639-X
DIP TYPE	X-174643-X		3.95	5.6 (巾W) x 5.0 (高さH)
			5.95	5.6 (巾W) x 7.0 (高さH)
SMT TYPE	ボス無 WITHOUT BOSS X-174645-X ボス付 WITH BOSS X-174821-X		3.95	5.6 (巾W) x 6.5 (高さH)
			5.45	5.6 (巾W) x 6.5 (高さH)
			5.95	5.6 (巾W) x 7.0 (高さH)
	ボス無 WITHOUT BOSS X-178041-X ボス付 WITH BOSS X-176756-X		9.35	7.0 (巾W) x 10.5 (高さH)

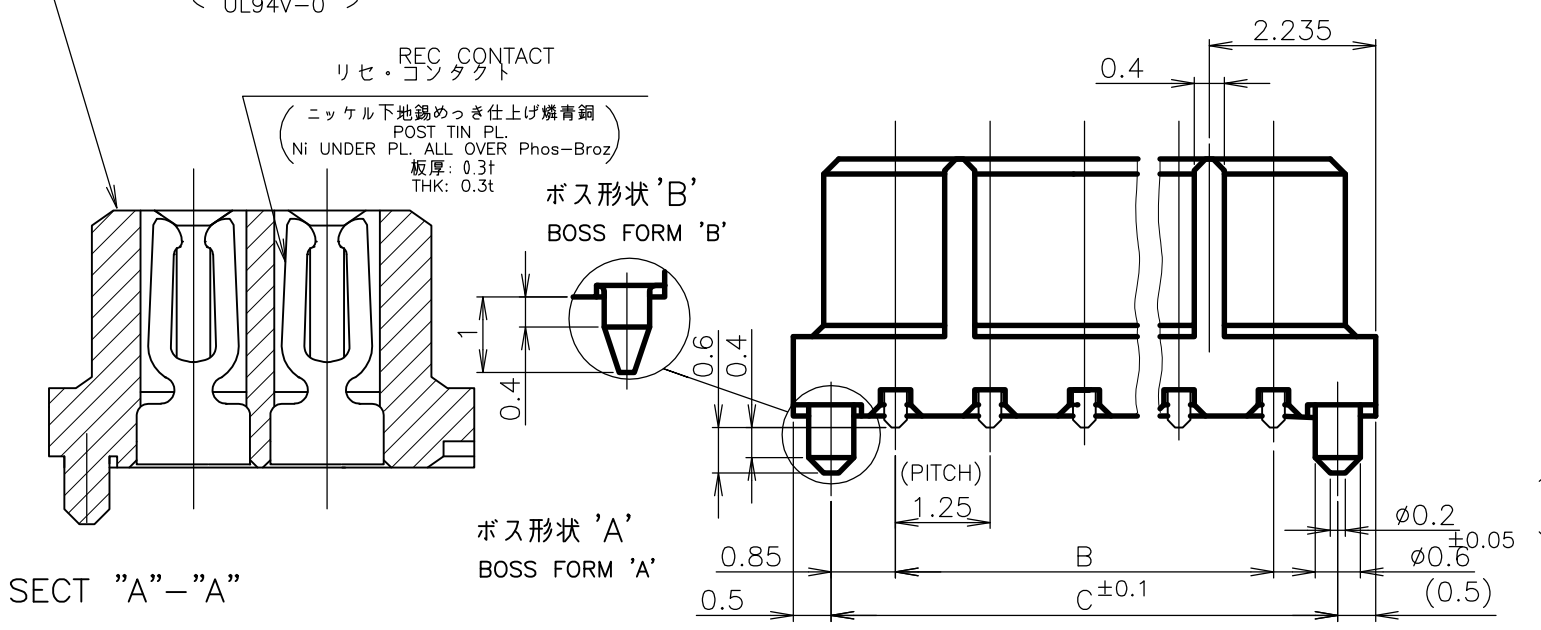
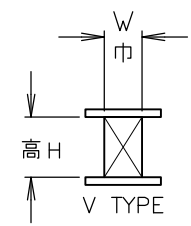
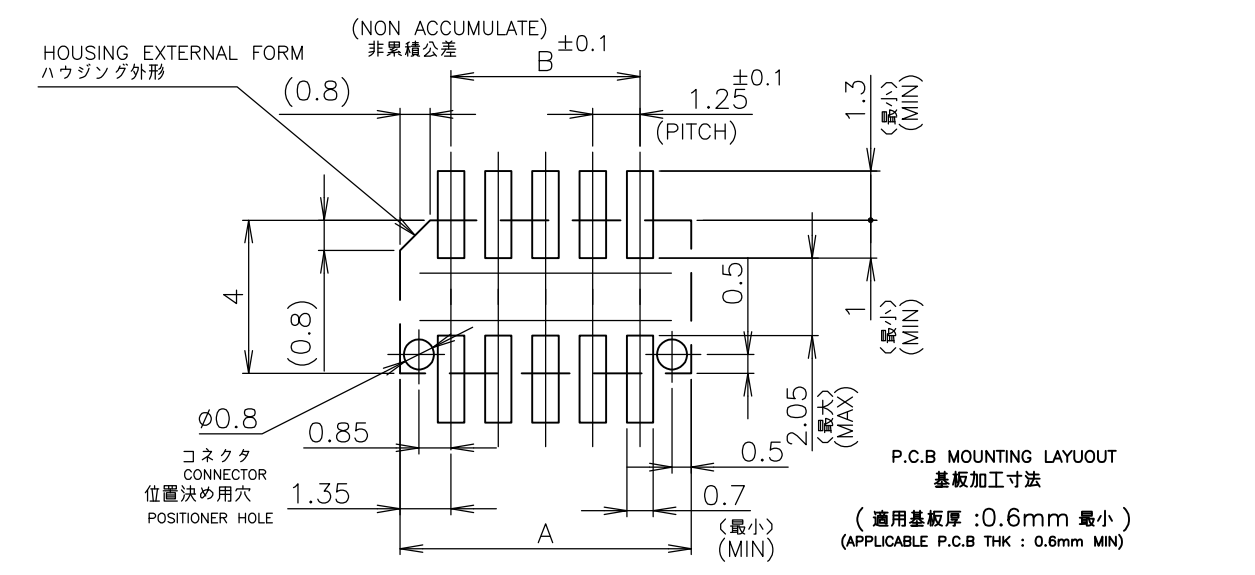


TABLE 1 SMT TYPEは、巾及び高さ寸法に
 SMT TYPE INCLUDE DIMENSIONS
 半田付タイン部寸法を含みます。
 OF SOLDER DIP TIME.



OBSOLETE	'A'	12.95	11.25	13.95	20	5-	-0
		11.70	10.00	12.70	18	4-	-8
		10.45	8.75	11.45	16	4-	-6
		9.20	7.50	10.20	14	4-	-4
		7.95	6.25	8.95	12	4-	-2
		6.70	5.00	7.70	10	4-	-0
	'B'	4.20	2.50	5.20	6		3-174639-6
	ボス形状 BOSS FORM	C	B	A	極数 Pos.		型番 P/N



THIS DRAWING IS A CONTROLLED DOCUMENT.

DIMENSIONS: 単位: 概 mm	TOLERANCES UNLESS OTHERWISE SPECIFIED: 一般公差	DWN S.KANEKI 03JUL89	 TE Connectivity
	0-PLC ± 1-PLC ± 2-PLC ± 3-PLC ± 4-PLC ± ANGLES ±3°	CHK J.TANIGAWA 03JUL89	
	10mm以下: ±0.2 10mm以上30mm以下: ±0.25 30mm以上100mm以下: ±0.3 角度: ±3°	APVD S.KIKUCHI 03JUL89	
MATERIAL 材料	FINISH 仕上	PRODUCT SPEC 製品規格	
AS SHOWN 図中参照	AS SHOWN 図中参照	APPLICATION SPEC 取付適用規格	1.25 F-P CONNECTOR (B-TO-B) DOUBLE ROW REC HDR ASSY (V) SMT TYPE WITH BOSS
		WEIGHT	SIZE A3
			CAGE CODE 00779
			DRAWING NO C-174639
			RESTRICTED TO
			CUSTOMER DRAWING
			SCALE 尺度 10:1
			SHEET 1 OF 1
			REV P2

Mouser Electronics

Authorized Distributor

Click to View Pricing, Inventory, Delivery & Lifecycle Information:

[TE Connectivity:](#)

[4-174639-0](#)