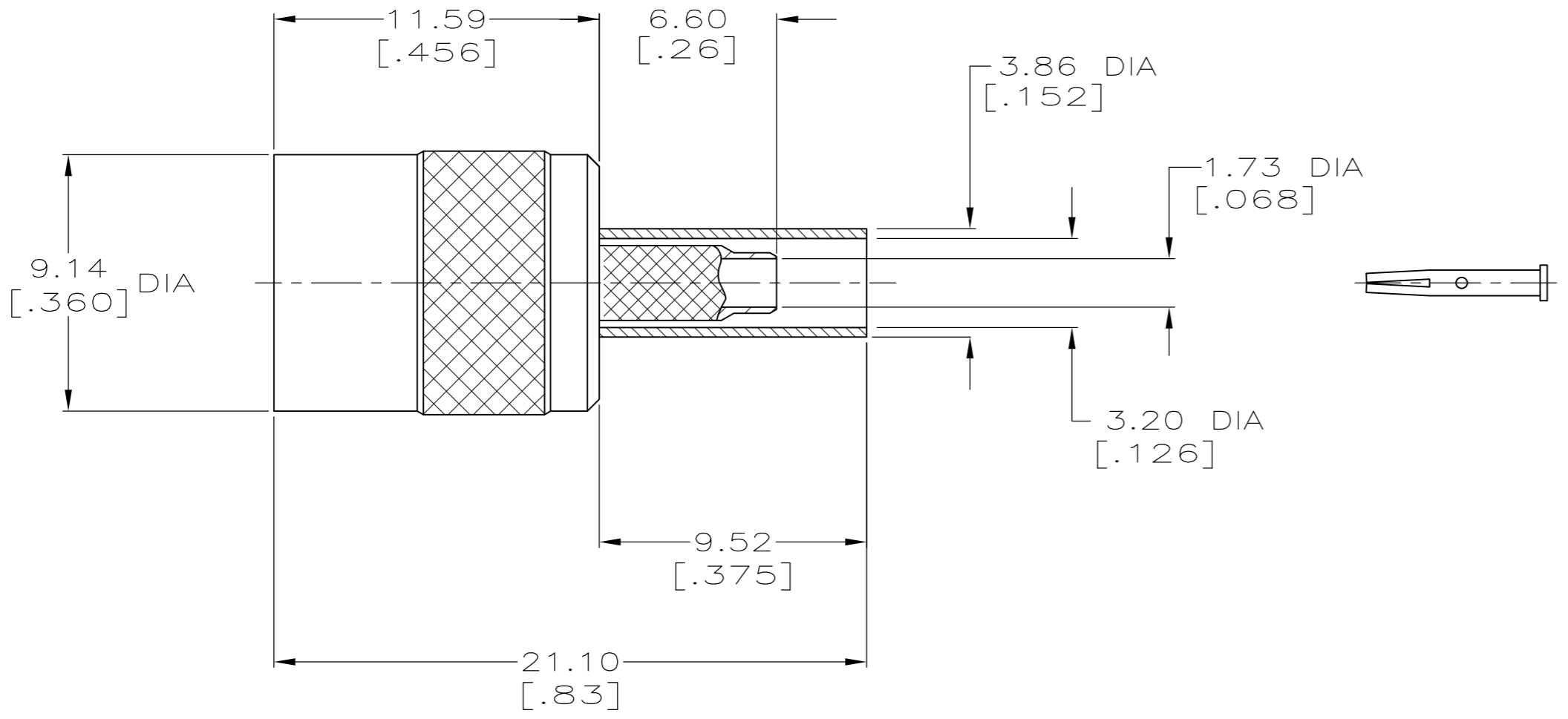
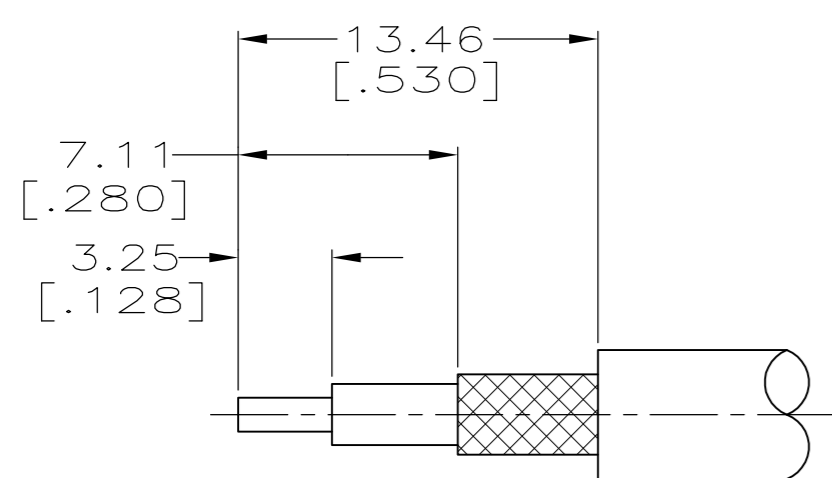


THIS DRAWING IS UNPUBLISHED. RELEASED FOR PUBLICATION  
 © COPYRIGHT - By - ALL RIGHTS RESERVED.

LOC		DIST		REVISIONS					
AJ		16		P	LTR	DESCRIPTION	DATE	DWN	APVD
				D1		ECR-12-005726	27MAR12	RK	MY



1. MATERIALS:  
 BODIES...BRASS PER QQ-B-626  
 INNER AND OUTER CONTACTS...  
 BERYLLIUM COPPER PER QQ-C-576  
 DIELECTRIC...PTFE PER ASTM D1710  
 FERRULE...ANNEALED COPPER PER QQ-C-576
- ② FINISH:  
 CENTER CONTACT...GOLD PER MIL-G-45204  
 OTHER METAL PARTS...NICKEL PER QQ-N-290
- ③ FINISH:  
 CENTER AND OUTER CONTACT...GOLD PER MIL-G-45204  
 OTHER METAL PARTS...NICKEL PER QQ-N-290



RECOMMENDED STRIP LENGTHS  
 SCALE NTS

B	58483-1	.128	HX4-1637	4	K699	②	RG 179,187	414618-2
B	58483-1	.128	HX4-1637	4	K699	③	RG 179,187	414618-1
POSITION LETTER	TE DIE SET	HEX SIZE	DANIELS DIE SET	SELECTOR NUMBER	DANIELS POSITIONER	NOTES	CABLE	PART NUMBER
TE PRO-CRIMPER FOR BRAID CRIMP		M 22520/5-01 FOR BRAID CRIMP		M 22520/2-01 FOR CONTACT CRIMP				
TOOLING INFORMATION								

THIS DRAWING IS A CONTROLLED DOCUMENT.		DWN	B. WERNER	13/JUL/93	<b>STE</b> TE Connectivity
DIMENSIONS: mm [INCHES]		CHK	J. MCLEOD	13/JUL/93	
TOLERANCES UNLESS OTHERWISE SPECIFIED:		APVD	J. MCLEOD	13/JUL/93	
0 PLC ± - 1 PLC ± - 2 PLC ± .25 [.010] 3 PLC ± .13 [.005] 4 PLC ± - ANGLES ± -		PRODUCT SPEC	NAME		
MATERIAL SEE NOTES		FINISH	SEE NOTES		75 OHM SMB PLUG
WEIGHT		-		SIZE	A2
CUSTOMER DRAWING		SCALE		5:1	SHEET
				1	OF 1
				REV	D1

CUSTOMER DRAWING

414618

# Mouser Electronics

Authorized Distributor

Click to View Pricing, Inventory, Delivery & Lifecycle Information:

[TE Connectivity:](#)

[414618-2](#)