

WAR NR.— PASSEND ZU —	LOC A1	DIST —	REVISIONS				
		P	LTR	DESCRIPTION	DATE	DWN	APVD
		P		REVISED PER ECO-11-005150	07APR11	RK	HMR

ÄNDERUNGEN, DIE DEM
TECHNISCHEN FORT-
SCHRITT DIENEN, BE-
HALTEN WIR UNS VOR

RELEASED FOR PUBLICATION

ALL RIGHTS RESERVED.


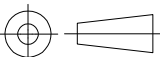
SIEHE ZEICHNUNG
826 467 BLATT 1 VON 2
(DIN A2)

VON DIESER ZEICHNUNG GIBT ES KEIN ORIGINAL

THIS DRAWING IS UNPUBLISHED.

© COPYRIGHT — By —

—	—	—
BESTELL-NR.	WERKSTOFF	OBERFLÄCHE FARBE
GEZ.	—	GEPR.
—	—	—

DIMENSIONS: mm	DWN	—	MATERIAL	—	FINISH	—
	CHK	—	 TE Connectivity			
TOLERANCES UNLESS OTHERWISE SPECIFIED:	APVD	—				
0 PLC ± -	PRODUCT SPEC	—	NAME AMPMODU II STIFTLAISTE 90 DEG ZWEIREIHIG			
1 PLC ± -	APPLICATION SPEC	—	SIZE	CAGE CODE	DRAWING NO	RESTRICTED TO
2 PLC ± -	—	—	A4	00779	C-826470	—
3 PLC ± -	WEIGHT	—	CUSTOMER DRAWING			
4 PLC ± -	—	—	SCALE	—	SHEET	1 OF 1
ANGLES ± -			REV	P		

Mouser Electronics

Authorized Distributor

Click to View Pricing, Inventory, Delivery & Lifecycle Information:

[TE Connectivity:](#)

[1-826470-0](#)