

# 10112690 - X XX-YY Z LF

INDICATES THAT PRODUCT IS RoHS COMPATIBLE SEE NOTE 3

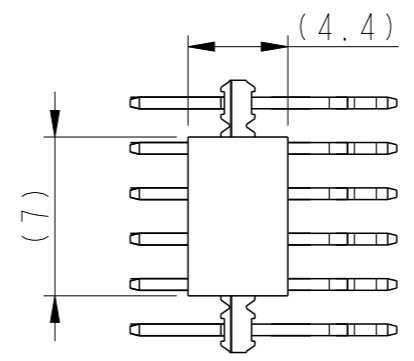
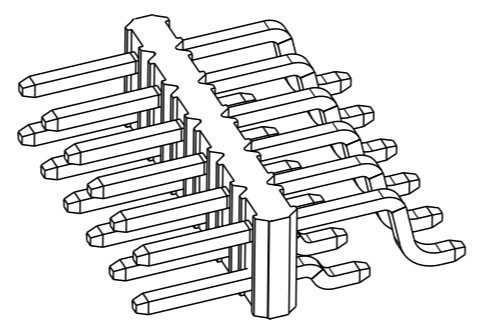
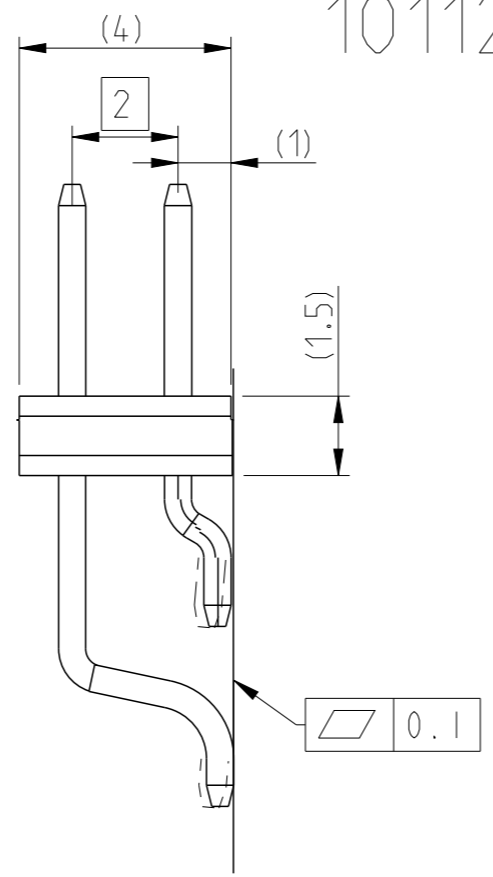
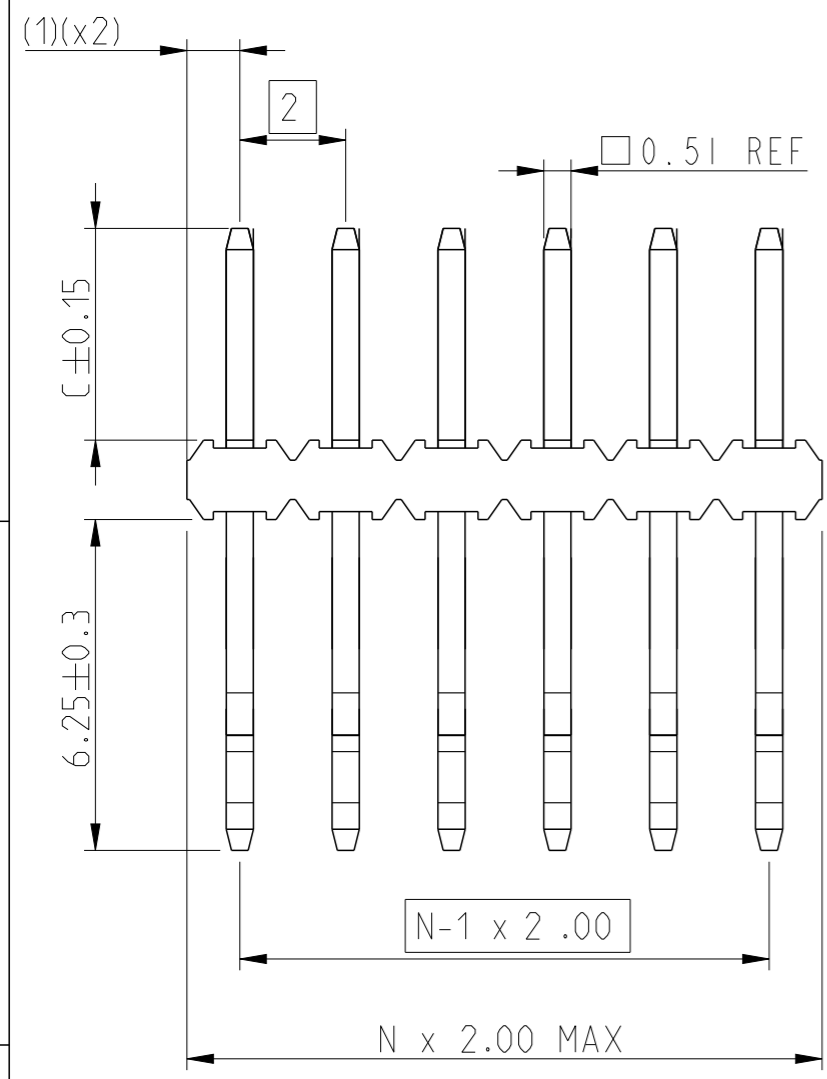
**PACKAGING :**

- A = Tape and reel with Pick-up cap See GS-14-1516 As available
- U = Tube without Pick-up cap. Only for rows contacts qty from 4 to 25 See GS-14-1551
- Blank = Bli box for rows contacts qty 2 and 3 see note 5

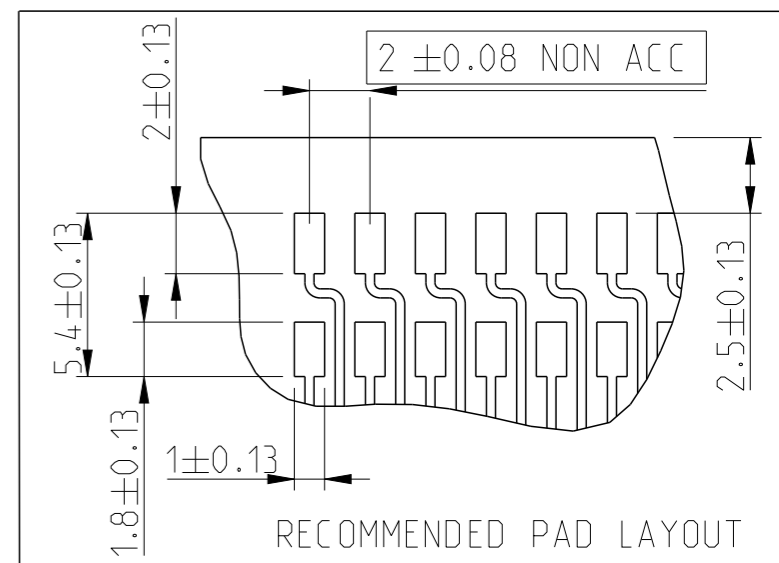
NBR CONTACTS PER ROW : 02 TO 25 = N

STYLE	01	02	03	04	05
DIM C POST LENGTH	3.2	2.0	4.0	7.0	5.84

**PLATING :** G= 0.76µ Gold/GXT on mating area  
 2-6µ Pure Tin on solder area  
 F= Gold flash on mating area  
 2-6µ pure Tin on solder area  
 T= 2-6µ pure Tin on mating area  
 2-6µ pure Tin on solder area  
 All with 1.27 Ni underplating



SCALE 3:1  
VIEW WITH PICK-UP CAP



- NOTES :**
- 1- MATERIALS :  
 BODY : High Temp thermoplastic 30% GF, COLOR BLACK UL94 V-0  
 PIN : COPPER ALLOY
  - 2- 7N MIN PIN RETENTION IN EITHER DIRECTION
  - 3- RoHS COMPATIBLE PRODUCT SPECIFICATION :  
 a- PLATING : LF means the product is Lead Free,  
 2µ MIN matte Tin over 1.27µ Nickel underplating.  
 b- MANUFACTURING PRODUCT SPECIFICATION :  
 Housing will withstand exposure to 260°C peak temperature for 30 secondes in a convection infra-red or vapor phase oven.  
 c- LABELLING :  
 Meets packaging specs as per GS-14-920  
 d- LEGAL STATMENT : See GS-47-0004
  - 4- MINIMUM QUANTITY IN BLI BOX : 500

spec ref	GS-12-652	dr	Alexandre Parr	2014/02/28	projection	mm	size	A3	scale	4:1
tolerance std	ISO 406 ISO 1101	eng	Detouillon, Da	2018/05/24			ecn no	ELX-F-30274-1	rel level	Released
TOLERANCES UNLESS OTHERWISE SPECIFIED		chr	Detouillon, Da	2018/10/01						
surface	linear	0.X	±0.30			dwg no	10112690C	rev	F	www.fci.com cat. no. - Product - Customer Drw sheet 1 of 1
		0.XX	±0.13							
	angular	0°	±/°							

Amphenol FCI

© 2016 AFCI

# Mouser Electronics

Authorized Distributor

Click to View Pricing, Inventory, Delivery & Lifecycle Information:

[FCI / Amphenol:](#)

[10112690-G05-09ALF](#) [10112690-G04-09ULF](#)