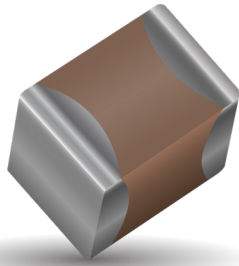


High Voltage MLC Chips FLEXITERM®

For 600V to 5000V Applications



High value, low leakage and small size are difficult parameters to obtain in capacitors for high voltage systems. AVX special high voltage MLC chips capacitors meet these performance characteristics and are designed for applications such as snubbers in high frequency power converters, resonators in SMPS, and high voltage coupling/DC blocking. These high voltage chip designs exhibit low ESRs at high frequencies.

To make high voltage chips, larger physical sizes than are normally encountered are necessary. These larger sizes require that special precautions be taken in applying these chips in surface mount assemblies. In response to this, and to follow from the success of the FLEXITERM® range of low voltage parts, AVX is delighted to offer a FLEXITERM® high voltage range of capacitors, FLEXITERM®.

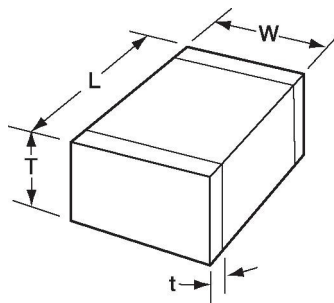
The FLEXITERM® layer is designed to enhance the mechanical flexure and temperature cycling performance of a standard ceramic capacitor, giving customers a solution where board flexure or temperature cycle damage are concerns.

HOW TO ORDER

1808	A	C	272	K	A	Z	1	A
AVX Style	Voltage	Temperature Coefficient	Capacitance Code	Capacitance Tolerance	Test Level	Termination*	Packaging	Special Code
0805	600V/630V = C	C0G = A	(2 significant digits + no. of zeros)	C0G: J = ±5%		Z = FLEXITERM®	2 = 7" Reel	A = Standard
1206	1000V = A	X7R = C	Examples:	K = ±10%		100% Tin	4 = 13" Reel	
1210	1500V = S		10 pF = 100	M = ±20%		[RoHS Compliant]		
1808	2000V = G		100 pF = 101	X7R: K = ±10%				
1812	2500V = W		1,000 pF = 102	M = ±20%				
1825	3000V = H		22,000 pF = 223	Z = +80%, -20%				
2220	4000V = J		220,000 pF = 224					
2225	5000V = K		1 μF = 105					

Notes: Capacitors with X7R dielectrics are not intended for applications across AC supply mains or AC line filtering with polarity reversal. Contact plant for recommendations. Contact factory for availability of Termination and Tolerance options for Specific Part Numbers

*** AVX offers nonstandard chip sizes. Contact factory for details.



DIMENSIONS

	millimeters (inches)								
SIZE	0805	1206	1210*	1808*	1812*	1825*	2220*	2225*	
(L) Length	2.10 ± 0.20 (0.083 ± 0.008)	3.30 ± 0.30 (0.130 ± 0.012)	3.30 ± 0.40 (0.130 ± 0.016)	4.60 ± 0.50 (0.181 ± 0.020)	4.60 ± 0.50 (0.181 ± 0.020)	4.60 ± 0.50 (0.181 ± 0.020)	5.70 ± 0.50 (0.224 ± 0.020)	5.70 ± 0.50 (0.224 ± 0.020)	
(W) Width	1.25 ± 0.20 (0.049 ± 0.008)	1.60 ^{+0.30} _{-0.10} (0.063 ^{+0.012} _{-0.004})	2.50 ± 0.30 (0.098 ± 0.012)	2.00 ± 0.20 (0.079 ± 0.008)	3.20 ± 0.30 (0.126 ± 0.012)	6.30 ± 0.40 (0.248 ± 0.016)	5.00 ± 0.40 (0.197 ± 0.016)	6.30 ± 0.40 (0.248 ± 0.016)	
(T) Thickness	1.35 (0.053)	1.80 (0.071)	2.80 (0.110)	2.20 (0.087)	2.80 (0.110)	3.40 (0.134)	3.40 (0.134)	3.40 (0.134)	
(t) terminal	min. 0.50 ± 0.20 max. (0.020 ± 0.008)	0.60 ± 0.20 (0.024 ± 0.008)	0.75 ± 0.35 (0.030 ± 0.014)	0.75 ± 0.35 (0.030 ± 0.014)	0.75 ± 0.35 (0.030 ± 0.014)	0.75 ± 0.35 (0.030 ± 0.014)	0.85 ± 0.35 (0.033 ± 0.014)	0.85 ± 0.35 (0.033 ± 0.014)	

*Reflow Soldering Only

SpiMLCC

Performance of ceramic capacitors can be simulated by using the online SpiMLCC software program - <http://spicat.avx.com/mlcc>
Custom values, ratings and configurations are also available.



High Voltage MLC Chips FLEXITERM®

For 600V to 5000V Applications

NP0 (C0G) Dielectric Performance Characteristics

Capacitance Range	10 pF to 0.100 µF (+25°C, 1.0 ±0.2 Vrms, 1kHz)
Capacitance Tolerances	±5%, ±10%, ±20%
Dissipation Factor	0.1% max. (+25°C, 1.0 ±0.2 Vrms, 1kHz)
Operating Temperature Range	-55°C to +125°C
Temperature Characteristic	0 ±30 ppm/°C (0 VDC)
Voltage Ratings	600, 630, 1000, 1500, 2000, 2500, 3000, 4000 & 5000 VDC (+125°C)
Insulation Resistance (+25°C, at 500 VDC)	100K MΩ min. or 1000 MΩ - µF min., whichever is less
Insulation Resistance (+125°C, at 500 VDC)	10K MΩ min. or 100 MΩ - µF min., whichever is less
Dielectric Strength	Minimum 120% rated voltage for 5 seconds at 50 mA max. current

NP0 (C0G) CAPACITANCE RANGE PREFERRED SIZES ARE SHADED

Case Size	0805						1206				1210					1808						1812								
	Reflow/Wave						Reflow/Wave				Reflow Only					Reflow Only						Reflow Only								
(L) Length mm (in.)	2.10 ± 0.20 (0.083 ± 0.008)						3.30 ± 0.30 (0.130 ± 0.012)				3.30 ± 0.40 (0.130 ± 0.016)					4.60 ± 0.50 (0.181 ± 0.020)						4.60 ± 0.50 (0.181 ± 0.020)								
(W) Width mm (in.)	1.25 ± 0.20 (0.049 ± 0.008)						1.60 +0.30/-0.10 (0.063 +0.012/-0.004)				2.50 ± 0.30 (0.098 ± 0.012)					2.00 ± 0.20 (0.079 ± 0.008)						3.20 ± 0.30 (0.126 ± 0.012)								
(T) Thickness mm (in.)	1.35 (0.053)						1.80 (0.071)				2.80 (0.110)					2.20 (0.087)						2.80 (0.110)								
(t) Terminal min max	0.50 ± 0.20 (0.020 ± 0.008)						0.60 ± 0.20 (0.024 ± 0.008)				0.75 ± 0.35 (0.030 ± 0.014)					0.75 ± 0.35 (0.030 ± 0.014)						0.75 ± 0.35 (0.030 ± 0.014)								
Voltage (V)	600	630	1000	600	630	1000	1500	2000	600	630	1000	1500	2000	600	630	1000	1500	2000	2500	3000	4000	600	630	1000	1500	2000	2500	3000	4000	
Cap (pF)	1.5	1R5	A	A	A	A	X	X	X	X	X	X	X	C	C	C	D	D	D	C	C	C	C	C	C	C	C	C	C	E
	1.8	1R8	A	A	A	A	X	X	X	X	X	X	X	C	C	D	D	D	C	C	C	C	C	C	C	C	C	C	C	E
	2.2	2R2	A	A	A	A	X	X	X	X	X	X	X	C	C	D	D	D	C	C	C	C	C	C	C	C	C	C	C	E
	2.7	2R7	A	A	A	A	X	X	X	X	X	X	X	C	C	D	D	D	C	C	C	C	C	C	C	C	C	C	C	E
	3.3	3R3	A	A	A	A	X	X	X	X	X	X	X	C	C	D	D	D	C	C	C	C	C	C	C	C	C	C	C	E
	3.9	3R9	A	A	A	A	X	X	X	X	X	X	X	C	C	D	D	D	C	C	C	C	C	C	C	C	C	C	C	E
	4.7	4R7	A	A	A	A	X	X	X	X	X	X	X	C	C	D	D	D	C	C	C	C	C	C	C	C	C	C	C	E
	5.6	5R6	A	A	A	A	X	X	X	X	X	X	X	C	C	D	D	D	C	C	C	C	C	C	C	C	C	C	C	E
	6.8	6R8	A	A	A	A	X	X	X	X	X	X	X	C	C	D	D	D	C	C	C	C	C	C	C	C	C	C	C	E
	8.2	8R2	A	A	A	A	X	X	X	X	X	X	X	C	C	D	D	D	C	C	C	C	C	C	C	C	C	C	C	E
	10	100	A	A	A	A	X	X	X	X	X	X	X	C	C	D	D	D	C	C	C	C	C	C	C	C	C	C	C	E
	12	120	A	A	A	A	X	X	X	X	X	X	X	C	C	D	D	D	C	C	C	C	C	C	C	C	C	C	C	E
	15	150	A	A	A	A	X	X	X	X	X	X	X	C	C	D	D	D	C	C	C	C	C	C	C	C	C	C	C	E
	18	180	A	A	A	A	X	X	X	X	X	X	X	C	C	D	D	D	C	C	C	C	C	C	C	C	C	C	C	E
	22	220	A	A	A	A	X	X	X	X	X	X	X	C	C	D	D	D	C	C	C	C	C	C	C	C	C	C	C	E
	27	270	A	A	A	A	X	X	X	X	X	X	X	C	C	D	D	D	C	C	C	C	C	C	C	C	C	C	C	E
	33	330	A	A	A	A	X	X	X	X	X	X	X	C	C	D	D	D	C	C	C	C	C	C	C	C	C	C	C	E
	39	390	A	A	A	A	X	X	X	X	X	X	X	C	C	D	D	D	C	C	C	C	C	C	C	C	C	C	C	E
	47	470	A	A	A	A	X	X	M	D	D	D	D	C	C	D	D	D	C	C	C	C	C	C	C	C	C	C	C	E
	56	560	A	A	A	A	X	X	M	C	C	C	C	C	C	D	C	C	C	C	C	C	C	C	C	C	C	C	C	F
	68	680	A	A	A	A	X	X	M	C	C	C	C	C	C	D	C	C	C	C	C	C	C	C	C	C	C	C	C	F
	82	820	X	X	X	X	X	X	C	C	C	C	C	D	C	C	C	C	C	C	C	C	C	C	C	C	C	C	C	F
	100	101	X	X	X	X	X	X	C	C	C	C	C	C	C	C	C	C	C	C	C	C	F	F	F	F	F	F	F	F
	120	121	C	C	C	X	X	C	E	E	C	C	C	C	C	C	C	C	C	C	C	F	F	F	F	F	F	F	F	G
	150	151	C	C	C	X	X	C	E	E	C	C	C	E	E	C	C	E	C	C	F	F	F	F	F	F	F	F	G	
	180	181	C	C	C	X	X	E	E	E	C	C	E	E	E	C	C	E	E	C	C	F	F	F	F	F	F	F	F	
	220	221	C	C	C	X	X	E	E	E	C	C	E	E	E	C	C	E	E	C	C	F	F	F	F	F	F	F	F	
	270	271	C	C	C	X	X	E	E	E	C	C	E	E	E	C	C	E	E	C	C	F	F	F	F	F	F	F	F	
	330	331	C	C	C	X	X	E	E	E	C	C	E	E	E	C	C	E	E	C	C	F	F	F	F	F	F	F	F	
	390	391	C	C	C	X	X	E	E	E	C	C	E	E	E	C	C	E	E	C	C	F	F	F	F	F	F	F	F	
	470	471	C	C	C	X	X	E	E	E	C	C	E	E	E	C	C	E	E	C	C	F	F	F	F	F	F	F	F	
	560	561	C	C	C	X	X	E	E	E	C	C	E	E	E	C	C	E	E	C	C	F	F	F	F	F	F	F	F	
	680	681	C	C	C	X	X	E	E	E	C	C	E	E	E	C	C	E	E	C	C	F	F	F	F	F	F	F	G	
	750	751	C	C	C	X	X	E	E	E	C	C	E	E	E	C	C	E	E	C	C	F	F	F	F	F	F	F	G	
	820	821	C	C	C	X	X	E	E	E	C	C	E	E	E	C	C	E	E	C	C	F	F	F	F	F	F	F	G	
	1000	102				X	X	E	E	E	C	C	E	E	E	C	C	E	E	C	C	F	F	F	F	F	F	F	G	
	1200	122				X	X	E	E	E	C	C	E	E	E	C	C	E	E	C	C	F	F	F	F	F	F	F	G	
	1500	152				X	X	E	E	E	C	C	E	E	E	C	C	E	E	C	C	F	F	F	F	F	F	F	G	
	1800	182				X	X	E	E	E	C	C	E	E	E	C	C	E	E	C	C	F	F	F	F	F	F	F	G	
	2200	222				X	X	E	E	E	C	C	E	E	E	C	C	E	E	C	C	F	F	F	F	F	F	F	G	
	2700	272				X	X	E	E	E	C	C	E	E	E	C	C	E	E	C	C	F	F	F	F	F	F	F	G	
	3300	332				X	X	E	E	E	C	C	E	E	E	C	C	E	E	C	C	F	F	F	F	F	F	F	G	
	3900	392				X	X	E	E	E	C	C	E	E	E	C	C	E	E	C	C	F	F	F	F	F	F	F	G	
	4700	472				X	X	E	E	E	C	C	E	E	E	C	C	E	E	C	C	F	F	F	F	F	F	F	G	
	5600	562				X	X	E	E	E	C	C	E	E	E	C	C	E	E	C	C	F	F	F	F	F	F	F	G	
	6800	682				X	X	E	E	E	C	C	E	E	E	C	C	E	E	C	C	F	F	F	F	F	F	F	G	
	8200	822				X	X	E	E	E	C	C	E	E	E	C	C	E	E	C	C	F	F	F	F	F	F	F	G	
Cap (µF)	0.010	103				X	X	E	E	E	C	C	E	E	E	C	C	E	E	C	C	F	F	F	F	F	F	F	G	
	0.012	123				X	X	E	E	E	C	C	E	E	E	C	C	E	E	C	C	F	F	F	F	F	F	F	G	
	0.015	153				X	X	E	E	E	C	C	E	E	E	C	C	E	E	C	C	F	F	F	F	F	F	F	G	
	0.018	183				X	X	E	E	E	C	C	E	E	E	C	C	E	E	C	C	F	F	F	F	F	F	F	G	
	0.022	223				X	X	E	E	E	C	C	E	E	E	C	C	E	E	C	C	F	F	F	F	F	F	F	G	
	0.033	333				X	X	E	E	E	C	C	E	E	E	C	C	E	E	C	C	F	F	F	F	F	F	F	G	
	0.047	473				X	X	E	E	E	C	C	E	E	E	C	C	E	E	C	C	F	F	F	F	F	F	F	G	
	0.056	563				X	X	E	E	E	C	C	E	E	E	C	C	E	E	C	C	F	F	F	F	F	F	F	G	
	0.068	683				X	X	E	E	E	C	C	E	E	E	C	C	E	E	C	C	F	F	F	F	F	F	F	G	
	0.100	104				X	X	E	E	E	C	C	E	E	E	C	C	E	E	C	C	F	F	F	F	F	F	F	G	
Voltage (V)	600	630	1000	600	630	1000	1500	2000	600	630	1000	1500	2000	600	630	1000	1500	2000	2500	3000	4000	600	630	1000	1500	2000	2500	3000	4000	
Case Size	0805						1206				1210					1808						1812								

High Voltage MLC Chips FLEXITERM®

For 600V to 5000V Applications

X7R CAPACITANCE RANGE PREFERRED SIZES ARE SHADED

Case Size	1825								2220								2225									
Soldering	Reflow Only								Reflow Only								Reflow Only									
(L) Length mm (in.)	4.60 ± 0.50 (0.181 ± 0.020)								5.70 ± 0.50 (0.224 ± 0.020)								5.72 ± 0.25 (0.225 ± 0.010)									
(W) Width mm (in.)	6.30 ± 0.40 (0.248 ± 0.016)								5.00 ± 0.40 (0.197 ± 0.016)								6.35 ± 0.25 (0.250 ± 0.010)									
(T) Thickness mm (in.)	3.40 (0.134)								3.40 (0.134)								2.54 (0.100)									
(t) Terminal min max	0.75 ± 0.35 (0.030 ± 0.014)								0.85 ± 0.35 (0.033 ± 0.014)								0.85 ± 0.35									
Voltage (V)	600	630	1000	1500	2000	2500	3000	4000	600	630	1000	1500	2000	2500	3000	4000	5000	600	630	1000	1500	2000	2500	3000	4000	5000
Cap (pF) 100 101																										
120 121																										
150 151																										
180 181																										
220 221																										
270 271																										
330 331																										
390 391																										
470 471																										
560 561																										
680 681																										
750 751																										
820 821																										
1000 102	F	F	F	F	F	F	F	F	F	F	F	F	F	F	F	G		F	F	F	F	F	F	F	F	F
1200 122	F	F	F	F	F	F	F	F	F	F	F	F	F	F	F	G		F	F	F	F	F	F	F	F	F
1500 152	F	F	F	F	F	F	F	F	F	F	F	F	F	F	F	G		F	F	F	F	F	F	F	F	F
1800 182	F	F	F	F	F	F	F	F	F	F	F	F	F	F	F	G		F	F	F	F	F	F	F	F	F
2200 222	F	F	F	F	F	F	F	F	F	F	F	F	F	F	F	G		F	F	F	F	F	F	F	F	F
2700 272	F	F	F	F	F	F	F	F	F	F	F	F	F	F	F	G		F	F	F	F	F	F	F	F	F
3300 332	F	F	F	F	F	F	F	F	F	F	F	F	F	F	F	G		F	F	F	F	F	F	F	F	F
3900 392	F	F	F	F	F	F	F	F	F	F	F	F	F	F	F	G		F	F	F	F	F	F	F	F	F
4700 472	F	F	F	F	F	F	F	F	F	F	F	F	F	F	F	G		F	F	F	F	F	F	F	F	F
5600 562	F	F	F	F	F	F	F	F	F	F	F	F	F	F	F	G		F	F	F	F	F	F	F	F	F
6800 682	F	F	F	G	G	G	G	G	F	F	F	F	F	F	F	G	G	F	F	F	F	F	F	F	F	G
8200 822	F	F	F	G	G	G	G	G	F	F	F	G	G	G	G	G		F	F	F	F	F	F	F	G	G
Cap (µF) 0.010 103	F	F	F	G	G	G	G	G	F	F	F	G	G	G	G	G		F	F	F	F	F	F	F	G	G
0.015 153	F	F	F	G	G	G	G		F	F	F	G	G	G	G		F	F	F	G	G	G	G	G	G	G
0.018 183	F	F	F	G	G				F	F	F	G	G	G			F	F	F	G	G	G				
0.022 223	F	F	F	G	G				F	F	F	G	G				F	F	F	G	G	G	G			
0.027 273	F	F	F	G					F	F	F	G	G				F	F	F	G	G					
0.033 333	F	F	F	G					F	F	F	G					F	F	F	G						
0.039 393	F	F	F	G					F	F	F	G					F	F	F	G						
0.047 473	F	F	F	P					F	F	F	G					F	F	F	G						
0.056 563	F	F	F	G					F	F	F	G					F	F	F	G						
0.068 683	F	F	G						F	F	G						F	F	F	G						
0.082 823	F	F	G						F	F	G						F	F	G							
0.100 104	F	F	G						F	F	G						F	F	G							
0.150 154	F	F							F	F	G						F	F	G							
0.220 224	F	F							F	F	G						F	F								
0.270 274	F	F							F	F							F	F								
0.330 334	F	F							F	F							F	F								
0.390 394	F	F							F	F							F	F								
0.470 474	F	F							F	F							F	F								
0.560 564	G	G							G	G							F	F								
0.680 684									G	G							G	G								
0.820 824																	G	G								
1.000 105																										
Voltage (V)	600	630	1000	1500	2000	2500	3000	4000	600	630	1000	1500	2000	2500	3000	4000	5000	600	630	1000	1500	2000	2500	3000	4000	5000

Letter	A	C	E	F	G	P	X
Max. Thickness	0.813 (0.032)	1.448 (0.057)	1.8034 (0.071)	2.2098 (0.087)	2.794 (0.110)	3.048 (0.120)	0.940 (0.037)

NOTE: Contact factory for non-specified capacitance values



Mouser Electronics

Authorized Distributor

Click to View Pricing, Inventory, Delivery & Lifecycle Information:

AVX:

[1825CC104KAZ1A](#) [1206AC472KAZ9A](#) [1206GC471KAZ9A](#) [1206SC471KAZ9A](#) [1812CC104MAZ1A](#)
[1825CC184MAZ1A](#) [1825GC103KAZ1A](#) [2220CC224MAZ1A](#) [2225AC104KAZ1A](#) [0805CC682MAZ9A](#)
[0805CC682KAZ9A](#) [0805AC152MAZ9A](#) [2220AC104KAZ1A](#) [1206AC102KAZ3A](#) [1206AC152KAZ1A](#)
[1206CC152KAZ1A](#) [1206GC102KAZ3A](#) [1206GC102ZAZ1A](#) [1206GC152KAZ1A](#) [1206GC152MAZ1A](#)
[1206SC102ZAZ1A](#) [1206SC152KAZ1A](#) [1210GC222KAZ1A](#) [1210SC102KAZ1A](#) [1808AC102KAZ1A](#)
[1808GC102KAZ1A](#) [1808GC222KAZ1A](#) [1812AC183KAZ1A](#) [1812AC273KAZ1A](#) [1812AC332KAZ1A](#)
[1812GC332KAZ1A](#) [1812HC222MAZ1A](#) [1812WC332KAZ1A](#) [1825AC183KAZ1A](#) [1825CC224KAZ1A](#)
[1825CC224KAZ9A](#) [1825GC103MAZ9A](#) [1825GC153MAZ1A](#) [2225AC103KAZ1A](#) [2225CC334KAZ9A](#)
[2225GC103KAZ1A](#) [2225HC153KAZ1A](#) [0805AC471KAZ1A](#) [2225AC104KAZ3A](#) [0805AC102KAZ1A](#)
[0805AC102MAZ1A](#) [0805AC151KAZ1A](#) [0805AC151KAZ9A](#) [0805AC152KAZ1A](#) [0805AC152KAZ9A](#)
[0805AC391KAZ1A](#) [0805AC681KAZ1A](#) [0805CC102KAZ1A](#) [0805CC222KAZ1A](#) [0805CC222KAZ9A](#)
[0805CC682KAZ1A](#) [1206AC222KAZ9A](#) [1206AC682KAZ9A](#) [1206CC102KAZ1A](#) [1206CC222KAZ9A](#)
[1206GA100JAZ1A](#) [1206GA120JAZ1A](#) [1206GA390JAZ1A](#) [1206GA470JAZ1A](#) [1206SC222KAZ9A](#) [1210AC101KAZ1A](#)
[1210AC222KAZ1A](#) [1210CC333KAZ1A](#) [1812GC102MAZ1A](#) [1812GC122KAZ3A](#) [1812GC272KAZ1A](#)
[1812GC471KAZ1A](#) [1812HC122KAZ3A](#) [1812HC182KAZ1A](#) [1812HC272KAZ1A](#) [1825CC274KAZ1A](#)
[1825SC333KAZ1A](#) [2220AC124KAZ1A](#) [2220SC223KAZ1A](#) [2220SC393KAZ1A](#) [2225SC223KAZ1A](#)
[2220HC123KAZ1A](#) [2220HC682KAZ1A](#) [2220SC473KAZ1A](#) [2225HC103KAZ1A](#) [1808GC332KAZ1A](#)
[1808HC182KAZ1A](#) [1812CC123KAZ1A](#) [1812GC822KAZ1A](#) [1812HC332KAZ1A](#) [1812HC392KAZ1A](#)
[1825HC103KAZ1A](#) [1825WC153KAZ1A](#) [1808CC683KAZ1A](#) [1210GC332KAZ1A](#) [1210SC562KAZ1A](#)
[0805CC472KAZ1A](#) [1206AA561KAZ1A](#) [1206CA102KAZ1A](#) [1812HC222MAZ9A](#)