
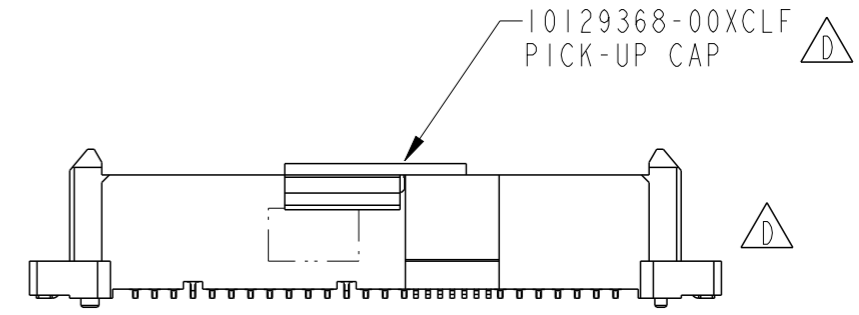
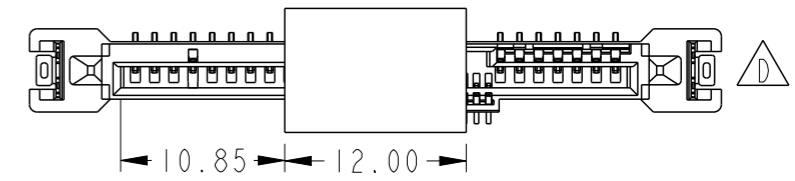
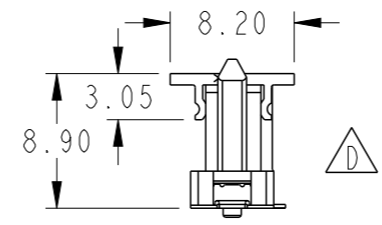


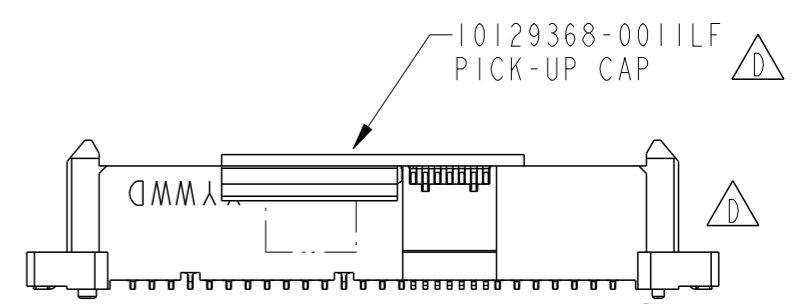
PRODUCT NUMBER
SEE TABLE

NOTES:

1. MATERIAL :
 - 1) HOUSING : HIGH TEMP THERMOPLASTIC, UL 94V-0
 - COLOR : BLACK
 - 2) TERMINAL : COPPER ALLOY
 - 3) HOLD DOWN : COPPER ALLOY
- 2 FINISH :
 - 1) TERMINAL : 30μ" Au PLATING (CONTACT POINT) OVER 50μ" NICKEL
 - 2) SOLDER TAIL : 100μ" MIN Sn OVER 50μ" NICKEL
 - 3) HOLD DOWN : 100μ" MIN Sn OVER 50μ" NICKEL
- 3 PART WITH PICK-UP CAP, P/N XXXXXXXX-XXXCLF/XXXXXXXX-XXXILF.
- 4 THE STD PACKAGING IS IN TRAY UNLESS OTHERWISE SPECIFIED.
- 5 PART NUMBER WITH SUFFIX "-TR" MEANS FOR TAPE & REEL PACKAGING (E.G. P/N: XXXXXXXX-XXXX-TRLF).
6. THE HOUSING WILL WITHSTAND EXPOSURE TO 260°C PEAK TEMPERATURE FOR 10 SECONDS IN A CONVECTION, INFRA-RED OR VAPOR PHASE REFLOW OVEN.
7. THIS PRODUCT MEETS EUROPEAN UNION DIRECTIVES AND OTHER COUNTRY REGULATIONS AS DESCRIBED IN GS-47-0004.
- 8 PART NUMBERS ENDING IN "LF" MEANS FOR NOTE 7 LEAD FREE IDENTIFICATION
9. A  SYMBOL WILL BE NEXT TO ANY DIMENSION, VIEW, OR NOTE WHICH HAS BEEN MODIFIED WITH THE CURRENT DRAWING REVISION.
- 10 DATE CODE LOCATION. DATE CODE NO. YYWWD (E.G. 14225)



SCALE 2:1



PART WITH PICK-UP CAP, SEE NOTE 4

Amphenol
FCi

© 2016 AFCI

spec ref	-	dr	Vajith P-N	2014/08/08	projection	mm	size	A3	scale	2:1	
tolerance std	ISO 406 ISO 1101	eng	Wai-Bin Cho	2019/02/25		← →	ecn no	ELX-M-32558-1			
TOLERANCES UNLESS OTHERWISE SPECIFIED		chr	-	-			product family	SAS	rel level	Released	
surface	linear	appr	Koon-Poh Tay	2019/03/13	SAS RECEPTACLE		dwg no	10129368		rev	D
	angular				VERTICAL SMT TYPE ASSY		Product - Customer Drw		sheet 3 of 3		
ISO 1302	0.X ±-				cat. no.						
	0.XX ±0.20										
	0.XXX ±-										
	0° ±2°										