

PME295, Metallized Impregnated Paper, Class Y1, 440 VAC/480 VAC

Overview

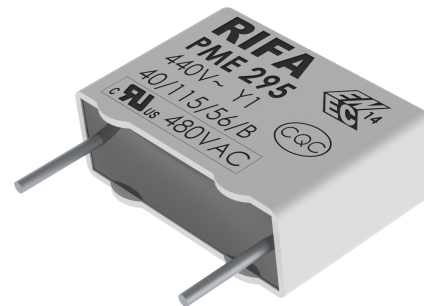
The PME295 is constructed of multilayer metallized paper encapsulated and impregnated in self-extinguishing material, meeting the requirements of UL 94 V-0.

Applications

Typical applications include safety capacitors for bridging of double or reinforced insulation applications, requiring voltage test up to 4,000 VAC at 60 seconds. PME295 capacitors can be left in place during this test.

Benefits

- Approvals: ENEC, UL, cUL, CQC
- Rated voltage: 440 VAC/480 VAC 50/60 Hz
- Capacitance range: 470 – 4700 pF
- Lead spacing: 15.0 mm
- Capacitance tolerance: $\pm 20\%$
- Climatic category: 40/115/56/B, IEC 60068-1
- Tape and reel packaging in accordance with IEC 60286-2
- RoHS Compliant and lead-free terminations
- Operating temperature range of -40°C to $+115^{\circ}\text{C}$
- 100% screening factory test at 4,000 VAC, 50 Hz, 2 seconds



Legacy Part Number System

PME295	R	B	3470	M	R30
Series	Rated Voltage (VAC)	Lead Spacing (mm)	Capacitance Code (pF)	Capacitance Tolerance	Packaging
Y1, Metallized Paper	R = 440	B = 15.0	The last three digits represent significant figures. The first digit specifies the total number of digits.	M = $\pm 20\%$	See Ordering Options Table

New KEMET Part Number System

P	295	B	E	471	M	440	A
Capacitor Class	Series	Lead Spacing (mm)	Size Code	Capacitance Code (pF)	Capacitance Tolerance	Rated Voltage (VAC)	Packaging
P = Paper	Y1, Metallized Paper	B = 15.0	See Dimension Table	First two digits represent significant figures. Third digit specifies number of zeros.	M = $\pm 20\%$	440 = 440	See Ordering Options Table

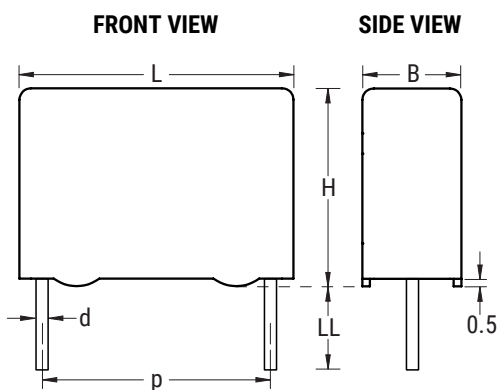
Benefits cont'd

- Highest possible safety regarding active and passive flammability
- Excellent self-healing properties ensure long life even when subjected to frequent over voltages
- Good resistance to ionization due to impregnated dielectric
- High dV/dt capability
- Impregnated paper provides excellent stability and reliability properties, particularly in applications with continuous operation

Ordering Options Table

Lead Spacing Nominal (mm)	Type of Leads and Packaging	Lead Length (mm)	KEMET Lead and Packaging Code	Legacy Lead and Packaging Code
15	Standard Lead and Packaging Options			
	Bulk (Bag) – short leads	6 +0/-1	C	R06
	Bulk (Bag) – maximum length leads	30 +5/-0	A	R30
	Tape and Reel (standard reel)	$H_0 = 18.5 \pm 0.5$	L	R19T0
	Other Lead and Packaging Options			
	Tape & Reel (large reel)	$H_0 = 18.5 \pm 0.5$	P	R19T1
Native 15 formed to 7.5	Ammo Pack	$H_0 = 18.5 \pm 0.5$	XLAF1	R25XA
	Tape & Reel (standard reel)	$H_0 = 18.5 \pm 0.5$	XLTF1	R25X2

Dimensions – Millimeters



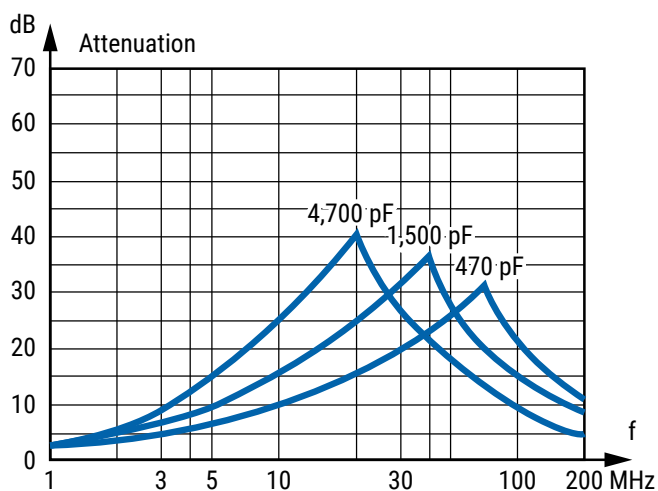
p		B		H		L		d	
Nominal	Tolerance	Nominal	Tolerance	Nominal	Tolerance	Nominal	Tolerance	Nominal	Tolerance
15	±0.4	5.5	Maximum	12.5	Maximum	18	Maximum	0.8	±0.05
15	±0.4	6.5	Maximum	12.5	Maximum	18	Maximum	0.8	±0.05
15	±0.4	7.5	Maximum	14.5	Maximum	18	Maximum	0.8	±0.05
15	±0.4	8.5	Maximum	16	Maximum	18	Maximum	0.8	±0.05

Note: See Ordering Options Table for lead length (LL) options.

Performance Characteristics

Rated voltage	440 VAC 50/60 Hz (ENEC)	
	480 VAC 50/60 Hz (UL, cUL)	
Capacitance range	0.00047 – 0.0047 μ F	
Capacitance tolerance	\pm 20%	
Temperature range	-40°C to +115°C	
Climatic category	40/115/56/B	
Approvals	ENEC, UL, cUL, CQC	
Dissipation factor	Maximum Values at +23°C	
	1 kHz	1.3%
Test voltage between terminals	The 100% screening factory test is carried out at 4,000 VAC, 50 Hz, 2 seconds. The voltage level is selected to meet the requirements in applicable equipment standards. All electrical characteristics are checked after the test.	
Insulation resistance	Measured at 500 VDC after 60 seconds, +23°C	
	Between Terminals: 12,000 M Ω	
In DC applications	Recommended voltage \leq 1,500 VDC	
Resonance frequency	Tabulated self-resonance frequencies f_0 refer to 5 mm lead length	




Suppression vs. Frequency, Typical Values



Environmental Test Data

Test	IEC Publication	Procedure
Endurance	IEC 60384-14	1.7 x V _R Vac 50 Hz, once every hour increase to 1,000 VAC for 0.1 second, 1,000 hours at upper rated temperature.
Vibration	IEC 60068-2-6 Test Fc	3 directions at 2 hours each 10 – 500 Hz at 0.75 mm or 98m/seconds ²
Bump	IEC 60068-2-29 Test Eb	4,000 bumps at 390 m/seconds ²
Change of Temperature	IEC 60068-2-14 test Na	Upper and lower rated temperature 5 cycles
Passive Flammability	IEC 60384-14	IEC 60384-1, IEC 60695-11-5 Needle flame test
Humidity	IEC 60068-2-3 Test Ca	+40°C and 93% RH, 56 days

Approvals

Certification Body	Mark	Specification	File Number
Intertek Semko AB		EN/IEC 60384-14 (440 VAC)	SE/0140-13C
UL		UL 60384-14	E73869
		CAN/CSA-E60384-14:09	
CQC		IEC 60384-14	CQC16001145221

Environmental Compliance

All KEMET EMI capacitors are RoHS Compliant.

Table 1 – Ratings & Part Number Reference

Capacitance Value (μF)	Maximum Dimensions in mm			Lead Spacing (p)	f _o (MHz)	dV/dt (V/μs)	New KEMET Part Number	Legacy Part Number
	B	H	L					
0.00047	5.5	12.5	18	15	64	2,000	P295BE471M440(1)	PME295RB3470M(1)
0.00056	5.5	12.5	18	15	59	2,000	P295BE561M440(1)	PME295RB3560M(1)
0.00068	5.5	12.5	18	15	54	2,000	P295BE681M440(1)	PME295RB3680M(1)
0.00082	5.5	12.5	18	15	49	2,000	P295BE821M440(1)	PME295RB3820M(1)
0.001	5.5	12.5	18	15	46	2,000	P295BE102M440(1)	PME295RB4100M(1)
0.0012	6.5	12.5	18	15	43	2,000	P295BJ122M440(1)	PME295RB4120M(1)
0.0015	6.5	12.5	18	15	40	2,000	P295BJ152M440(1)	PME295RB4150M(1)
0.0018	6.5	12.5	18	15	37	2,000	P295BJ182M440(1)	PME295RB4180M(1)
0.0022	6.5	12.5	18	15	33	2,000	P295BJ222M440(1)	PME295RB4220M(1)
0.0025	7.5	14.5	18	15	31	2,000	P295BL252M440(1)	PME295RB4250M(1)
0.0027	7.5	14.5	18	15	30	2,000	P295BL272M440(1)	PME295RB4270M(1)
0.0033	7.5	14.5	18	15	27	2,000	P295BL332M440(1)	PME295RB4330M(1)
0.0039	8.5	16	18	15	24	2,000	P295BQ392M440(1)	PME295RB4390M(1)
0.0047	8.5	16	18	15	22	2,000	P295BQ472M440(1)	PME295RB4470M(1)
Capacitance Value (μF)	B (mm)	H (mm)	L (mm)	Lead Spacing (p)	f _o (MHz)	dV/dt (V/μs)	New KEMET Part Number	Legacy Part Number

(1) Insert ordering code for lead type and packaging. See Ordering Options Table for available options.

Soldering Process

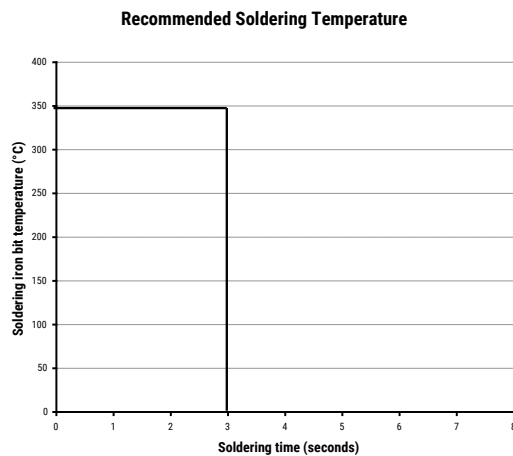
The implementation of the RoHS directive has resulted in the selection of SnAgCu (SAC) alloys or SnCu alloys as primary solder. This has increased the liquidus temperature from 183°C for SnPb eutectic alloy to 217 – 221°C for the new alloys. As a result, the heat stress to the components, even in wave soldering, has increased considerably due to higher preheat and wave temperatures. Polypropylene capacitors are especially sensitive to heat (the melting point of polypropylene is 160 – 170°C). Wave soldering can be destructive, especially for mechanically small polypropylene capacitors (with lead spacing of 5 mm to 15 mm), and great care has to be taken during soldering. The recommended solder profiles from KEMET should be used. Please consult KEMET with any questions. In general, the wave soldering curve from IEC Publication 61760–1 Edition 2 serves as a solid guideline for successful soldering. Please see Figure 1.

Reflow soldering is not recommended for through-hole film capacitors. Exposing capacitors to a soldering profile in excess of the above the recommended limits may result to degradation or permanent damage to the capacitors.

Do not place the polypropylene capacitor through an adhesive curing oven to cure resin for surface mount components. Insert through-hole parts after the curing of surface mount parts. Consult KEMET to discuss the actual temperature profile in the oven, if through-hole components must pass through the adhesive curing process. A maximum two soldering cycles is recommended. Please allow time for the capacitor surface temperature to return to a normal temperature before the second soldering cycle.

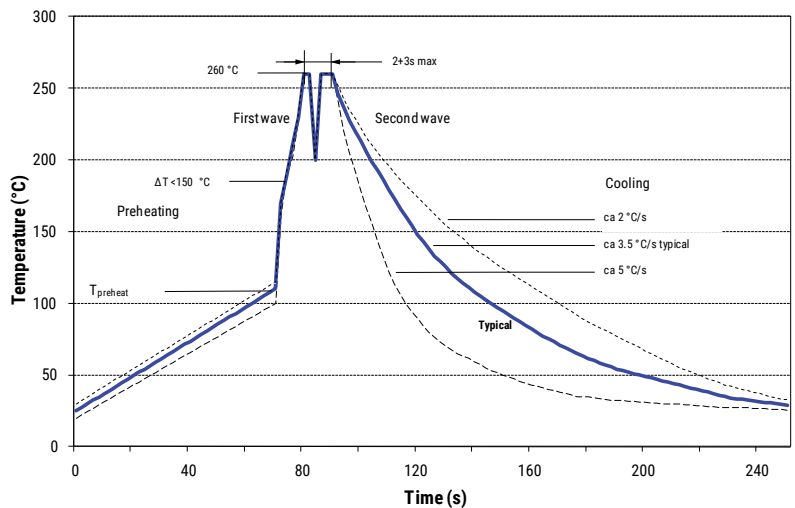
Manual Soldering Recommendations

Following is the recommendation for manual soldering with a soldering iron.



The soldering iron tip temperature should be set at 350°C (+10°C maximum) with the soldering duration not to exceed more than 3 seconds.

Wave Soldering Recommendations



Soldering Process cont'd

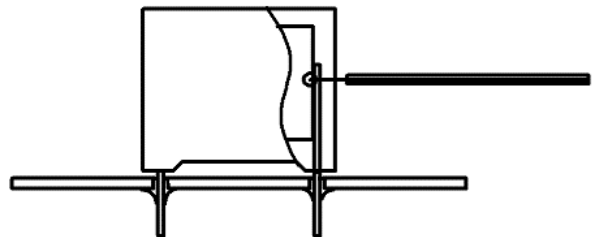
Wave Soldering Recommendations cont'd

1. The table indicates the maximum set-up temperature of the soldering process
Figure 1

Dielectric Film Material	Maximum Preheat Temperature			Maximum Peak Soldering Temperature	
	Capacitor Pitch ≤ 10 mm	Capacitor Pitch = 15 mm	Capacitor Pitch > 15 mm	Capacitor Pitch ≤ 15 mm	Capacitor Pitch > 15 mm
Polyester	130°C	130°C	130°C	270°C	270°C
Polypropylene	100°C	110°C	130°C	260°C	270°C
Paper	130°C	130°C	140°C	270°C	270°C
Polyphenylene sulphide	150°C	150°C	160°C	270°C	270°C

2. The maximum temperature measured inside the capacitor:
Set the temperature so that inside the element the maximum temperature is below the limit:

Dielectric Film Material	Maximum temperature measured inside the element
Polyester	160°C
Polypropylene	110°C
Paper	160°C
Polyphenylene sulphide	160°C



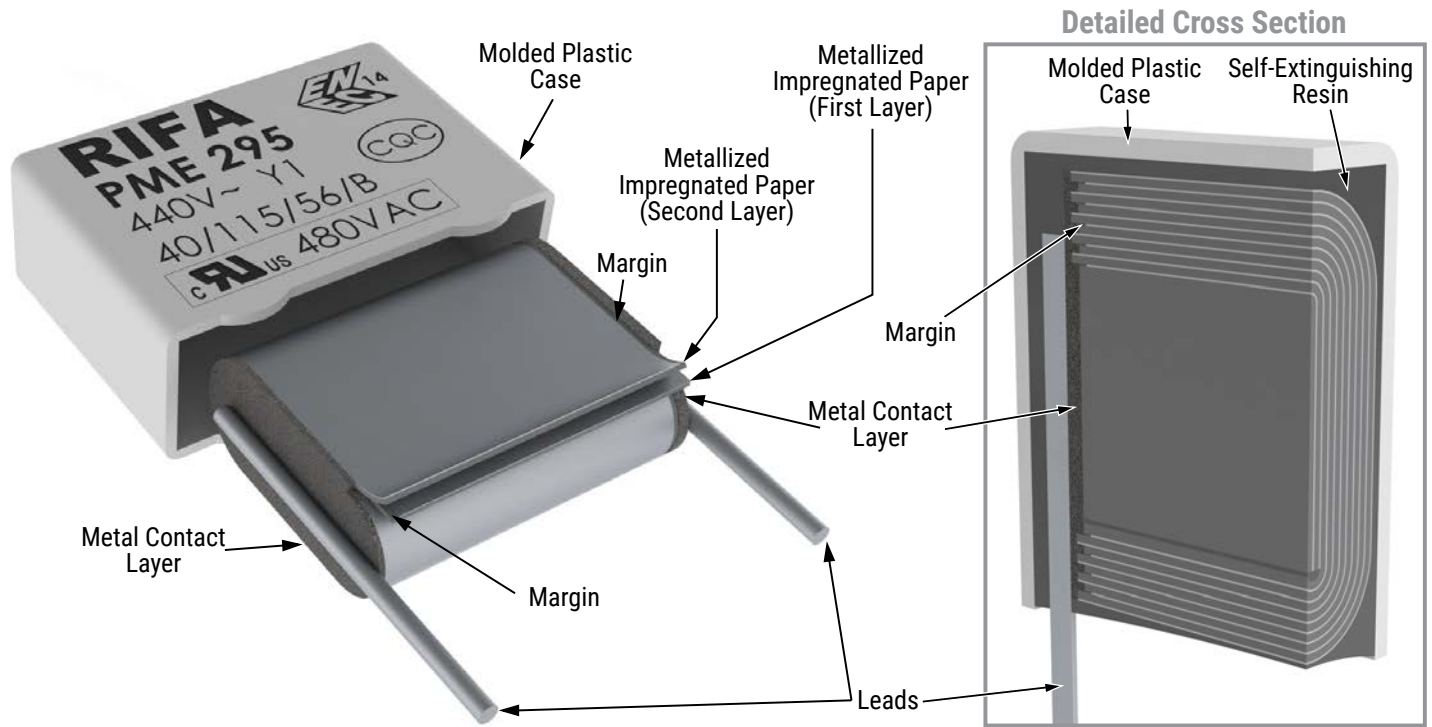
Temperature monitored inside the capacitor.

Selective Soldering Recommendations

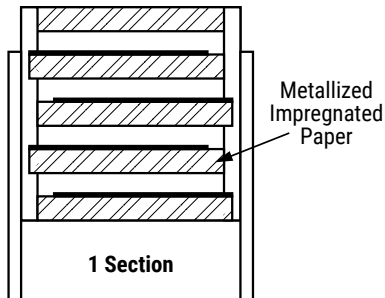
Selective dip soldering is a variation of reflow soldering. In this method, the printed circuit board with through-hole components to be soldered, is preheated and transported over the solder bath as in normal flow soldering without touching the solder. When the board is over the bath, it is stopped and pre-designed solder pots are lifted from the bath with molten solder only at the places of the selected components, and pressed against the lower surface of the board to solder the components.

The temperature profile for selective soldering is similar to the double wave flow soldering outlined in this document, however, instead of two baths, there is only one with a time from 3 to 10 seconds. In selective soldering, the risk of overheating is greater than in double wave flow soldering, and great care must be taken so that the parts are not overheated.

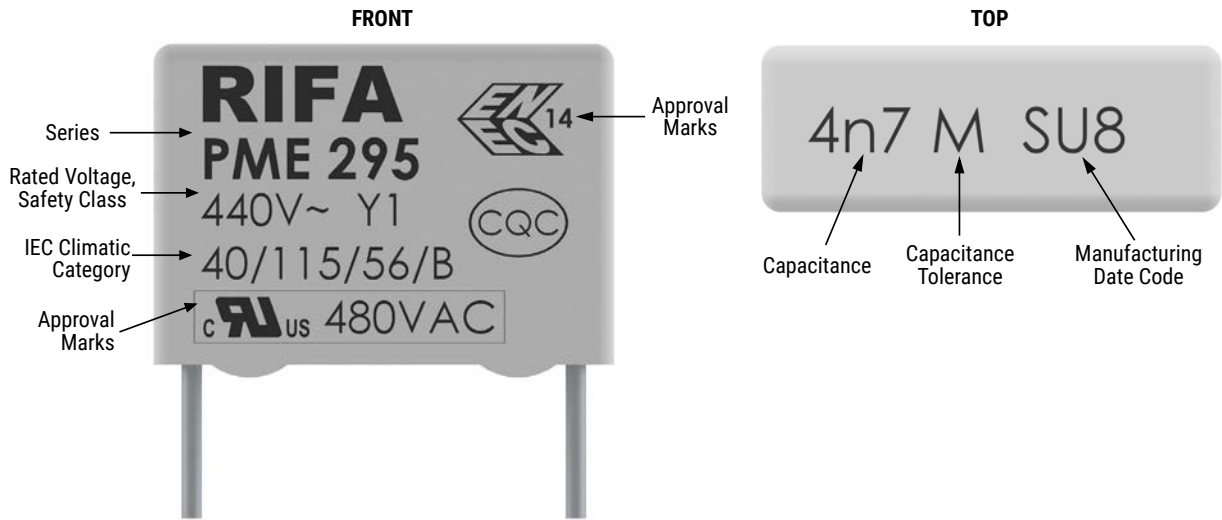
Construction



Winding Scheme



Marking

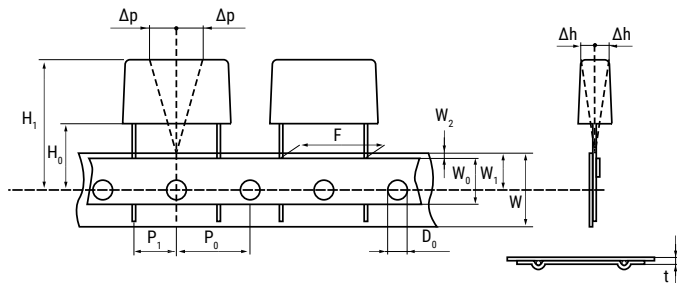


Packaging Quantities

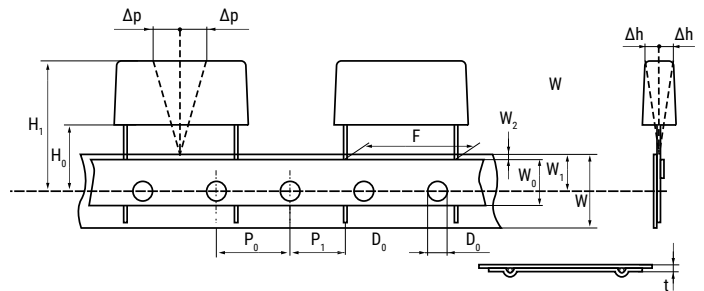
Lead Spacing (mm)	Thickness (mm)	Height (mm)	Length (mm)	Bulk Short Leads	Bulk Long Leads	Standard Reel ø 360 mm	Large Reel ø 500 mm	Standard Reel Formed	Ammo Formed
15	5.5	10.5	18	1,000	800	600	1,200	550	570
	5.5	12.5	18	1,000	800	600	1,200	550	570
	7.5	14.5	18	800	400	400	800	350	378
	6.5	12.5	18	1,000	600	500	1,000	450	480
	8.5	16	18	600	400	400	800	350	324
	8	15	18	600	400	400	800	350	351
	9.5	17.5	18	500	300	350	700	250	297
	6	12	18	1,000	800	500	1,000	450	520
	11	19	18	450	250	300	600	250	252
13	12.5	18	400	300	250	500	200	216	

Lead Taping & Packaging (IEC 60286-2)

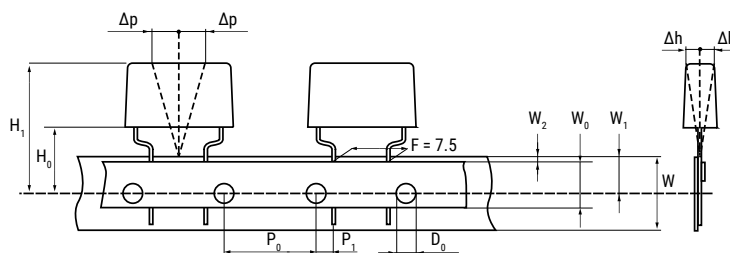
Lead Spacing 10.2 – 15.2 mm



Lead Spacing 20.3 – 22.5 mm



Formed Leads from 10.2 to 7.5 mm



Taping Specification

Dimensions in mm								Standard IEC 60286-2
Lead spacing	+6/-0.1	F	Formed 7.5	10.2	15.2	20.3	22.5	F
Carrier tape width	+/-0.5	W	18	18	18	18	18	18 ^{+1/-0.5}
Hold-down tape width	+/-0.3	W ₀	9	12	12	12	12	
Position of sprocket hole	+/-0.5	W ₁	9	9	9	9	9	9 ^{+0.75/-0.5}
Distance between tapes	Maximum	W ₂	3	3	3	3	3	3
Sprocket hole diameter	+/-0.2	D ₀	4	4	4	4	4	4
Feed hole lead spacing	+/-0.3	P ₀ ⁽¹⁾	12.7 ⁽⁴⁾	12.7	12.7	12.7	12.7	12.7
Distance lead – feed hole	+/-0.7	P ₁	3.75	7.6	5.1	8.9	5.3	P ¹
Deviation tape – plane	Maximum	Δp	1.3	1.3	1.3	1.3	1.3	1.3
Lateral deviation	Maximum	Δh	2	2	2	2	2	2
Total thickness	+/-0.2	t	0.7	0.7	0.7	0.7	0.9 ^{MAX}	0.9 ^{MAX}
Sprocket hole/cap body	Nominal	H ₀ ⁽²⁾	18 ^{+2/-0}	18 ^{+2/-0}	18 ^{+2/-0}	18 ^{+2/-0}	18.5 ^{+/-0.5}	18 ^{+2/-0}
Sprocket hole/top of cap body	Maximum	H ₁ ⁽³⁾	35	35	35	35	58	58 ^{MAX}

(1) Maximum cumulative feed hole error, 1 mm per 20 parts.

(2) 16.5 mm available on request.

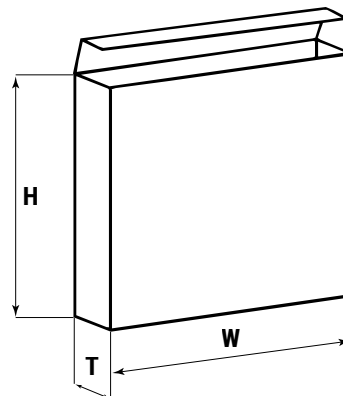
(3) Depending on case size.

(4) 15 mm available on request.

Lead Taping & Packaging (IEC 60286-2) cont'd

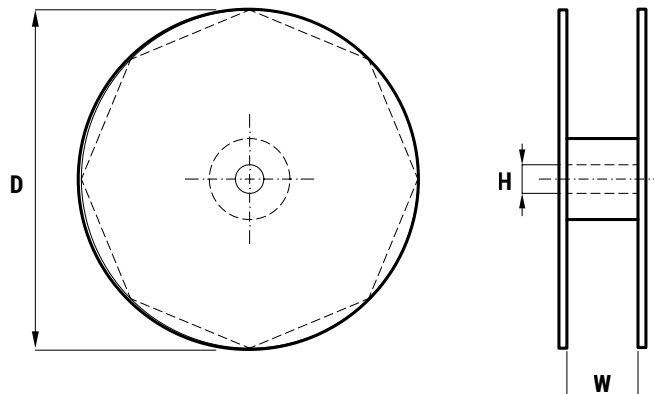
Ammo Specifications

Series	Dimensions (mm)		
	H	W	T
R4x, R4x+R, R7x, RSB	360	340	59
F5A, F5B, F5D			
F6xx, F8xx			
PHExxx, PMExxx, PMRxxx	330	330	50



Reel Specifications

Series	Dimensions (mm)		
	D	H	W
R4x, R4x+R, R7x, RSB	355 500	30	55 (Max)
F5A, F5B, F5D		25	
F6xx, F8xx			
PHExxx, PMExxx, PMRxxx	360 500	30	46 (Max)



Manufacturing Date Code (IEC-60062)

Y = Year, Z = Month			
Year	Code	Month	Code
2000	M	January	1
2001	N	February	2
2002	P	March	3
2003	R	April	4
2004	S	May	5
2005	T	June	6
2006	U	July	7
2007	V	August	8
2008	W	September	9
2009	X	October	0
2010	A	November	N
2011	B	December	D
2012	C		
2013	D		
2014	E		
2015	F		
2016	H		
2017	J		
2018	K		
2019	L		
2020	M		

KEMET Electronics Corporation Sales Offices

For a complete list of our global sales offices, please visit www.kemet.com/sales.

Disclaimer

All product specifications, statements, information and data (collectively, the "Information") in this datasheet are subject to change. The customer is responsible for checking and verifying the extent to which the Information contained in this publication is applicable to an order at the time the order is placed.

All Information given herein is believed to be accurate and reliable, but it is presented without guarantee, warranty, or responsibility of any kind, expressed or implied.

Statements of suitability for certain applications are based on KEMET Electronics Corporation's ("KEMET") knowledge of typical operating conditions for such applications, but are not intended to constitute – and KEMET specifically disclaims – any warranty concerning suitability for a specific customer application or use. The Information is intended for use only by customers who have the requisite experience and capability to determine the correct products for their application. Any technical advice inferred from this Information or otherwise provided by KEMET with reference to the use of KEMET's products is given gratis, and KEMET assumes no obligation or liability for the advice given or results obtained.

Although KEMET designs and manufactures its products to the most stringent quality and safety standards, given the current state of the art, isolated component failures may still occur. Accordingly, customer applications which require a high degree of reliability or safety should employ suitable designs or other safeguards (such as installation of protective circuitry or redundancies) in order to ensure that the failure of an electrical component does not result in a risk of personal injury or property damage.

Although all product-related warnings, cautions and notes must be observed, the customer should not assume that all safety measures are indicated or that other measures may not be required.

KEMET is a registered trademark of KEMET Electronics Corporation.

Mouser Electronics

Authorized Distributor

Click to View Pricing, Inventory, Delivery & Lifecycle Information:

KEMET:

[PME295RB4100MR19T0](#) [PME295RB4470MR19T0](#) [PME295RB3470MR30](#) [PME295RB3560MR30](#)
[PME295RB3680MR30](#) [PME295RB3820MR30](#) [PME295RB4100MR30](#) [PME295RB4120MR30](#) [PME295RB4150MR30](#)
[PME295RB4180MR30](#) [PME295RB4220MR30](#) [PME295RB4250MR30](#) [PME295RB4270MR30](#) [PME295RB4330MR30](#)
[PME295RB4390MR30](#) [PME295RB4470MR30](#) [PME295RB3470MR19T0](#) [PME295RB3470MR040C](#)
[PME295RB4250MR19T0](#) [PME295RB4220MR05](#) [PME295RB4220MR19T0](#) [PME295RB4470MR033G](#)
[PME295RB3680MR19T0](#) [PME295RB4470MR06](#)