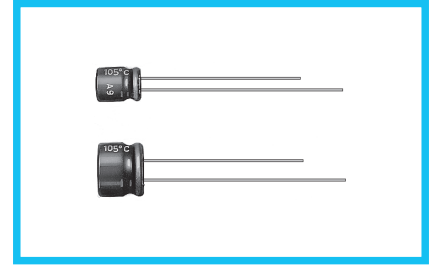


UMF

5mmL, Low Impedance



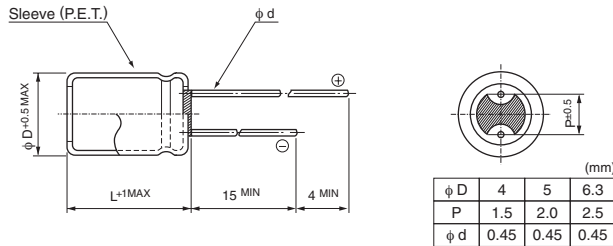
- Low impedance over wide temperature range of -55 to $+105^{\circ}\text{C}$, with 5mm height.
- Suited for DC-DC converters where smaller case size and lower impedance are required.
- Compliant to the RoHS directive (2011/65/EU).



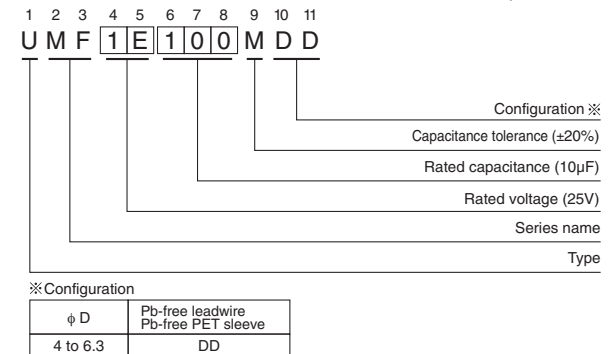
Specifications

Item	Performance Characteristics					
Category Temperature Range	-55 to $+105^{\circ}\text{C}$					
Rated Voltage Range	6.3 to 35V					
Rated Capacitance Range	1 to $100\mu\text{F}$					
Rated Capacitance Tolerance	$\pm 20\%$ at 120Hz, 20°C					
Leakage Current	After 2 minutes' application of rated voltage at 20°C , leakage current is not more than 0.01CV or $3(\mu\text{A})$, whichever is greater.					
Tangent of loss angle ($\tan \delta$)	Measurement frequency : 120Hz at 20°C					
	Rated voltage (V)	6.3	10	16	25	35
Stability at Low Temperature	Measurement frequency : 120Hz					
	Rated voltage (V)	6.3	10	16	25	35
	Impedance ratio ZT / Z20 (MAX.)	Z -25°C / Z $+20^{\circ}\text{C}$	2	2	2	2
Endurance	The specifications listed at right shall be met when the capacitors are restored to 20°C after the rated voltage is applied for 1000 hours at 105°C .					
	Capacitance change	Within $\pm 20\%$ of the initial capacitance value				
	Leakage current	Less than or equal to the initial specified value				
Shelf Life	After storing the capacitors under no load at 105°C for 1000 hours and then performing voltage treatment based on JIS C 5101-4 clause 4.1 at 20°C , they shall meet the specified values for the endurance characteristics listed above.					
Marking	Printed with white color letter on dark brown sleeve.					

Radial Lead Type



Type numbering system (Example : 25V 10 μF)



Dimensions

Cap. (μF)	Code	6.3			10			16			25			35			
		0J			1A			1C			1E			1V			
1	010														4 x 5	5.0	50
1.5	1R5														4 x 5	5.0	50
2.2	2R2														4 x 5	5.0	50
3.3	3R3														4 x 5	5.0	50
4.7	4R7										4 x 5	5.0	50		4 x 5	5.0	50
6.8	6R8										4 x 5	5.0	50		5 x 5	2.6	80
10	100								4 x 5	5.0	50	5 x 5	2.6	80	5 x 5	2.6	80
15	150								5 x 5	2.6	80	6.3 x 5	1.3	115	6.3 x 5	1.3	115
22	220	4 x 5	5.0	50	5 x 5	2.6	80	5 x 5	2.6	80	6.3 x 5	1.3	115	6.3 x 5	1.3	115	
33	330	5 x 5	2.6	80	5 x 5	2.6	80	6.3 x 5	1.3	115	6.3 x 5	1.3	115				
47	470	5 x 5	2.6	80	6.3 x 5	1.3	115	6.3 x 5	1.3	115							
68	680	6.3 x 5	1.3	115													
100	101	6.3 x 5	1.3	115											Case size $\phi D \times L$ (mm)	Impedance	Rated ripple

Max. Impedance (Ω) at 20°C 100kHz
 Rated ripple current (mA rms) at 105°C 100kHz

Frequency coefficient of rated ripple current

Frequency	50 Hz	120 Hz	300 Hz	1 kHz	10kHz or more
Coefficient	0.35	0.50	0.64	0.83	1.00

Please refer to page 20, 21, 22 about the formed or taped product spec.
 Please refer to page 4 for the minimum order quantity.

Mouser Electronics

Authorized Distributor

Click to View Pricing, Inventory, Delivery & Lifecycle Information:

Nichicon:

[UMF0J680MDD](#) [UMF1A220MDD](#) [UMF1A330MDD](#) [UMF1E100MDD](#) [UMF1E150MDD](#) [UMF1E220MDD](#)
[UMF1V220MDD](#) [UMF1V2R2MDD](#) [UMF0J330MDD](#) [UMF0J470MDD](#) [UMF1C330MDD](#) [UMF1C470MDD](#)
[UMF1C470MDD1TP](#) [UMF1V100MDD](#) [UMF1V150MDD](#) [UMF1V1R5MDD](#) [UMF0J101MDD](#) [UMF0J220MDD](#)
[UMF1C150MDD](#) [UMF1C220MDD](#) [UMF1E6R8MDD](#) [UMF1E6R8MDD1TP](#) [UMF1V010MDD](#) [UMF1V6R8MDD](#)
[UMF1A470MDD](#) [UMF1C100MDD](#) [UMF1E330MDD](#) [UMF1E4R7MDD](#) [UMF1V3R3MDD](#) [UMF1V4R7MDD](#)
[UMF1V6R8MDD1TP](#) [UMF0J330MDD1TP](#) [UMF1A330MDD1TP](#) [UMF1C100MDD1TP](#) [UMF0J680MDD1TP](#)
[UMF1V4R7MDD1TP](#) [UMF1E4R7MDD1TP](#) [UMF1A470MDD1TP](#) [UMF1E220MDD1TP](#) [UMF1V150MDD1TP](#)
[UMF1C150MDD1TP](#) [UMF1V220MDD1TP](#) [UMF1V010MDD1TP](#) [UMF1C330MDD1TP](#) [UMF1E150MDD1TP](#)
[UMF0J470MDD1TP](#) [UMF1V3R3MDD1TP](#) [UMF1V100MDD1TP](#) [UMF1E330MDD1TP](#) [UMF1A220MDD1TP](#)
[UMF1E100MDD1TP](#) [UMF0J101MDD1TP](#) [UMF1C220MDD1TP](#) [UMF1V2R2MDD1TP](#) [UMF1V1R5MDD1TP](#)
[UMF0J220MDD1TP](#) [UMF1V220MDD1TE](#)