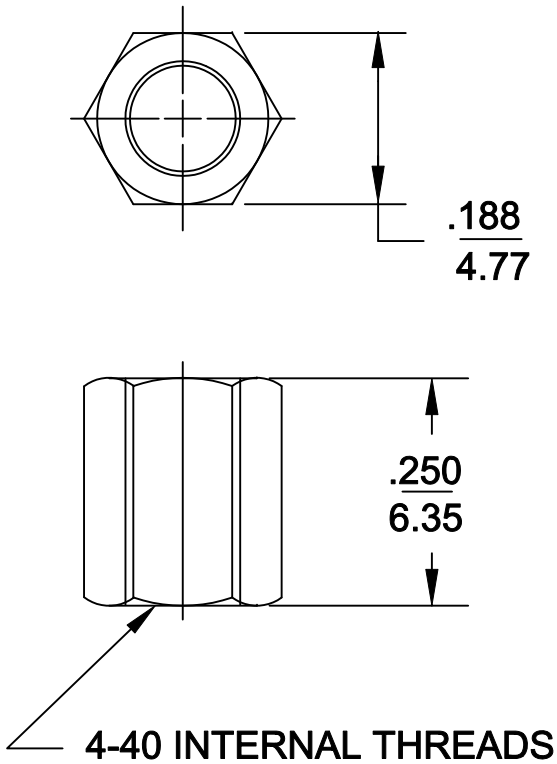



DESCRIPTION: 4-40 FEMALE COUPLING NUT



160-000-006R032
MATERIAL: BRASS - NICKEL PLATED
RoHS COMPLIANT

	THESE DRAWINGS AND SPECIFICATIONS ARE THE PROPERTY OF NorComp AND SHALL NOT BE REPRODUCED, COPIED OR USED AS THE BASIS FOR THE MANUFACTURE OF SALE OF APPARATUS WITHOUT WRITTEN PERMISSION.		DRAWN: WAYNE ROBBINS	DATE: 8-23-98	
			CHECKED: PAM JENKINS	DATE: 8-24-98	
NorComp			SCALE:	SHEET 1 OF 1	REV 3
			DWG NO. 160-000-006R032		

Mouser Electronics

Authorized Distributor

Click to View Pricing, Inventory, Delivery & Lifecycle Information:

[NorComp:](#)

[160-000-006R032](#)