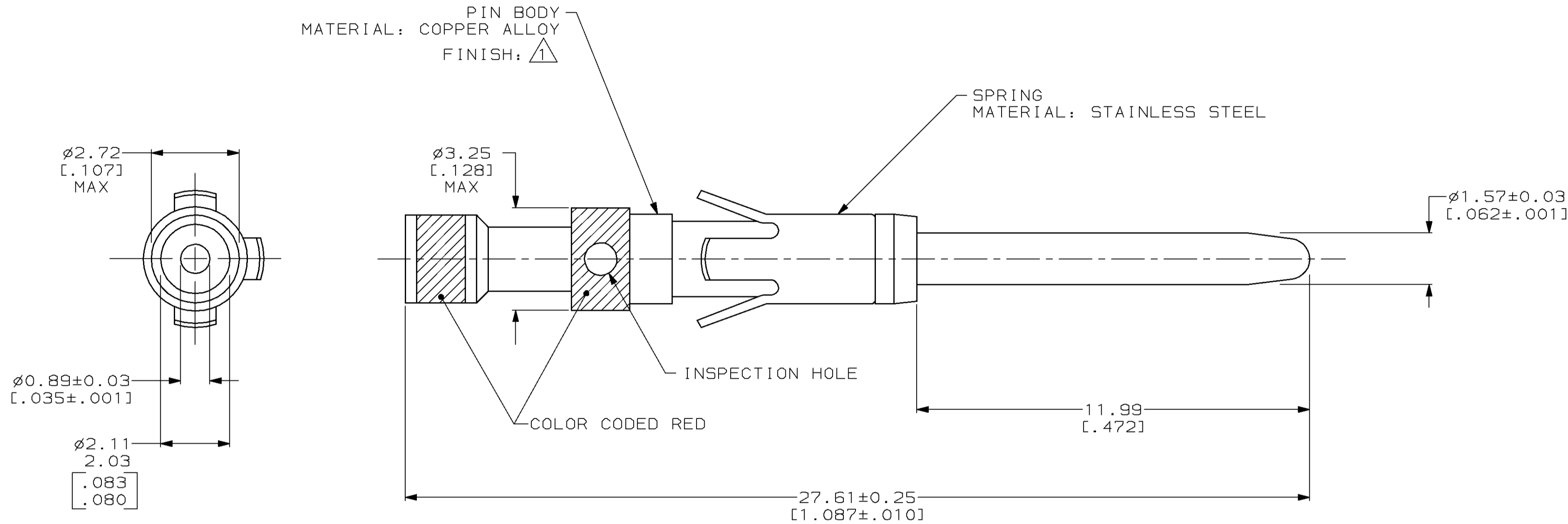


THIS DRAWING IS UNPUBLISHED. RELEASED FOR PUBLICATION
 BY AMP INCORPORATED. ALL RIGHTS RESERVED.

LOC		DIST		REVISIONS			
P	LTR	DESCRIPTION	DATE	DWN	APVD		
FT	8	S	REDRAWN W/O CHANGE PER EC 0320-98-96	20 NOV 97	-	-	



1 0.76µm [0.000030] MIN GOLD OVER 1.27µm [0.000050] MIN NICKEL.

201334-1
 PART NUMBER

THIS DRAWING IS A CONTROLLED DOCUMENT.		DWN	20 NOV 97	AMP Incorporated Harrisburg, PA 17105-3608
DIMENSIONS:		CHK	09 DEC 97	
mm [INCHES]		APVD	16 DEC 97	
TOLERANCES UNLESS OTHERWISE SPECIFIED: 0 PLC ±- 1 PLC ±- 2 PLC ±0.13 [0.005] 3 PLC ±- 4 PLC ±- ANGLES ±-		NAME	G. STEINHAUER	
MATERIAL		PRODUCT SPEC	-	CONTACT ASSEMBLY, PIN, #16, 24-28AWG, TYPE II
SEE CALLOUTS		APPLICATION SPEC	-	SIZE
FINISH		WEIGHT	-	CAGE CODE
SEE CALLOUTS		CUSTOMER DRAWING	A2	00779
		SCALE	10:1	DRAWING NO
		SHEET	1 OF 1	201334
		REV	5	RESTRICTED TO

201334

Mouser Electronics

Authorized Distributor

Click to View Pricing, Inventory, Delivery & Lifecycle Information:

[TE Connectivity:](#)

[201334-1](#)