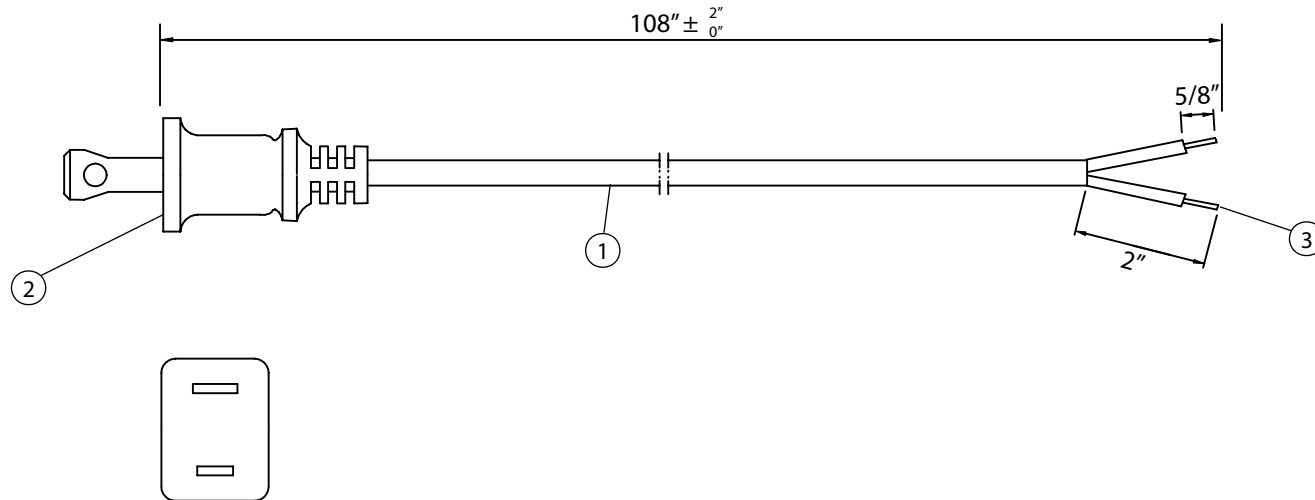


THESE DRAWINGS ARE THE PROPERTY OF QUALTEK ELECTRONICS AND NOT TO BE REPRODUCED FOR OR COMMUNICATED TO A THIRD PARTY WITHOUT THE EXPRESS WRITTEN PERMISSION OF AN OFFICER OF QUALTEK ELECTRONICS.

| REVISION |                 |          |          |
|----------|-----------------|----------|----------|
| REV.     | DESCRIPTION     | DATE     | APPROVED |
| B        | RoHS Compliancy | 06-01-06 | DP       |
|          |                 |          |          |
|          |                 |          |          |



NOTES:

1. CORDAGE: SPT-1, 18AWG / 2C, UNSHIELDED, NA COLOR CODE, TEMP. RATING 60°C, RATING: 125V 10A, JACKET: COLOR BLACK
2. PLUG: 1-15P POLARIZED
3. OTHER END: SPLIT 2" STRIP 5/8"
4. APPROVALS: UL, cUL
5. ROHS COMPLIANT

**CONTROLLED**

| Dim range (mm) | Tolerance +/- (mm) | Qualtek Electronics Corp.<br>PPC DIVISION |                |                 |
|----------------|--------------------|---|----------------|-----------------|
| 0-1            | 0.15               | Part Number:                              | 221002-01      |                 |
| 1-6            | 0.20               | Description:                              | POWER CORD     |                 |
| 6-18           | 0.30               |   | UNIT: in       | REV. B          |
| 18-50          | 0.50               | Drawn / Date                              | Checked / Date | Approved / Date |
| 50-120         | 0.70               | B.ZHANG<br>06-08-04                       | 06-08-04       | JJH / 06-08-04  |
| 120-250        | 0.90               |   |                |                 |
| 250-500        | 1.20               |   |                |                 |

# Mouser Electronics

Authorized Distributor

Click to View Pricing, Inventory, Delivery & Lifecycle Information:

[Qualtek:](#)

[221002-01](#)