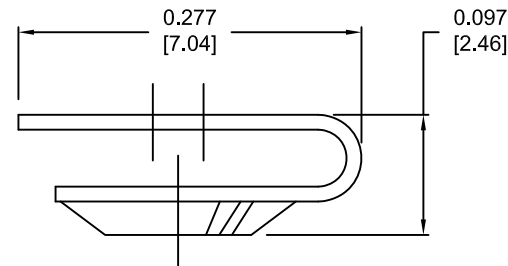
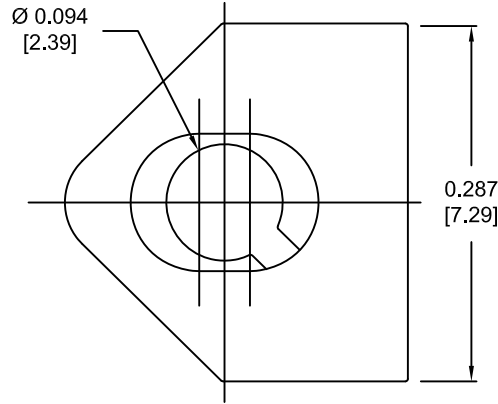
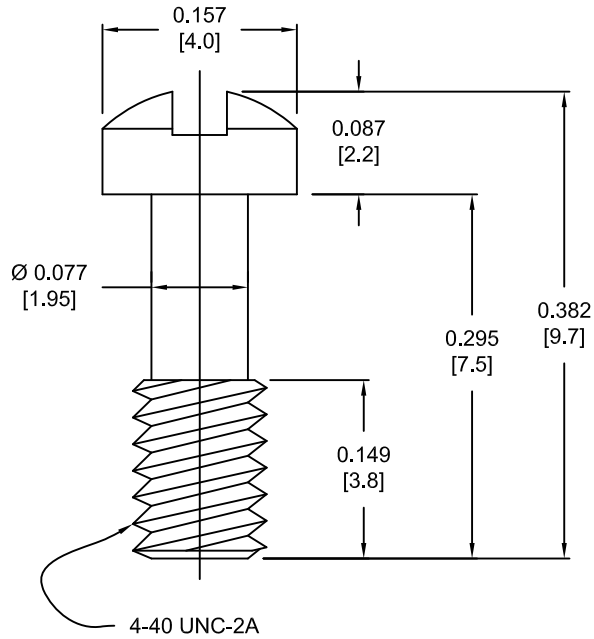


DESCRIPTION: 4-40 MALE SCREWLOCK/CLIP-ON

PART NUMBER	SCREW PART NUMBER	CLIP PART NUMBER
KIT = 160-000-002R031	SSH4401T	RCO1T
BULK = 160-000-002R032	SSH4401T	RCO1T



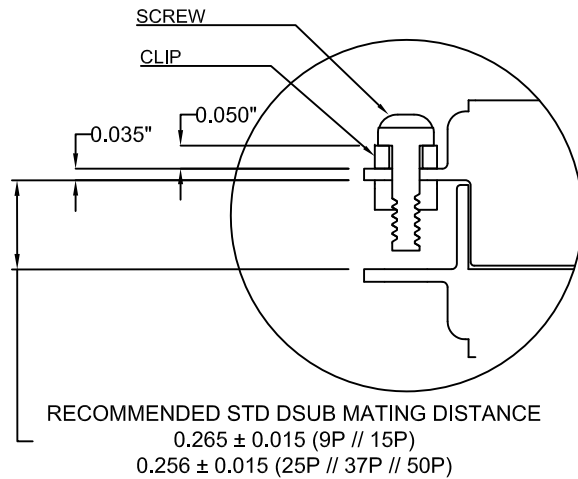
**KIT INCLUDES:**

(IN SEALED BAG)  
2-SCREWS  
2-CLIPS

**MATERIAL:**

SCREW: STEEL, NICKEL PLATED  
CLIP: 304 STAINLESS STEEL

**DIMENSIONAL REFERENCE**



DO NOT SCALE FROM DRAWING



THESE DRAWINGS AND SPECIFICATIONS ARE THE PROPERTY OF NorComp AND SHALL NOT BE REPRODUCED, COPIED OR USED AS THE BASIS FOR THE MANUFACTURE OF SALE OF APPARATUS WITHOUT WRITTEN PERMISSION.

DRAWN: C. SMITH		DATE: 01-25-08	
SCALE: NTS	SHEET 1	OF 1	REV 5
DWG NO. 160-000-002R0YY			

RoHS COMPLIANT

**NorComp**

# Mouser Electronics

Authorized Distributor

Click to View Pricing, Inventory, Delivery & Lifecycle Information:

[NorComp:](#)

[160-000-002R031](#)