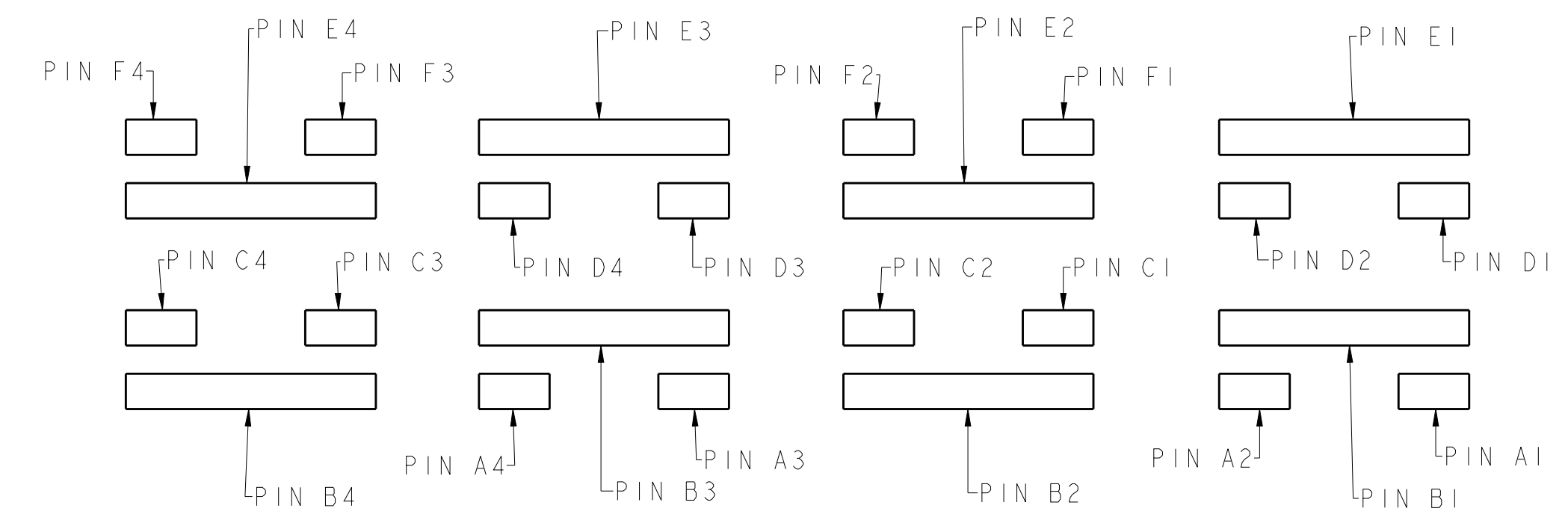
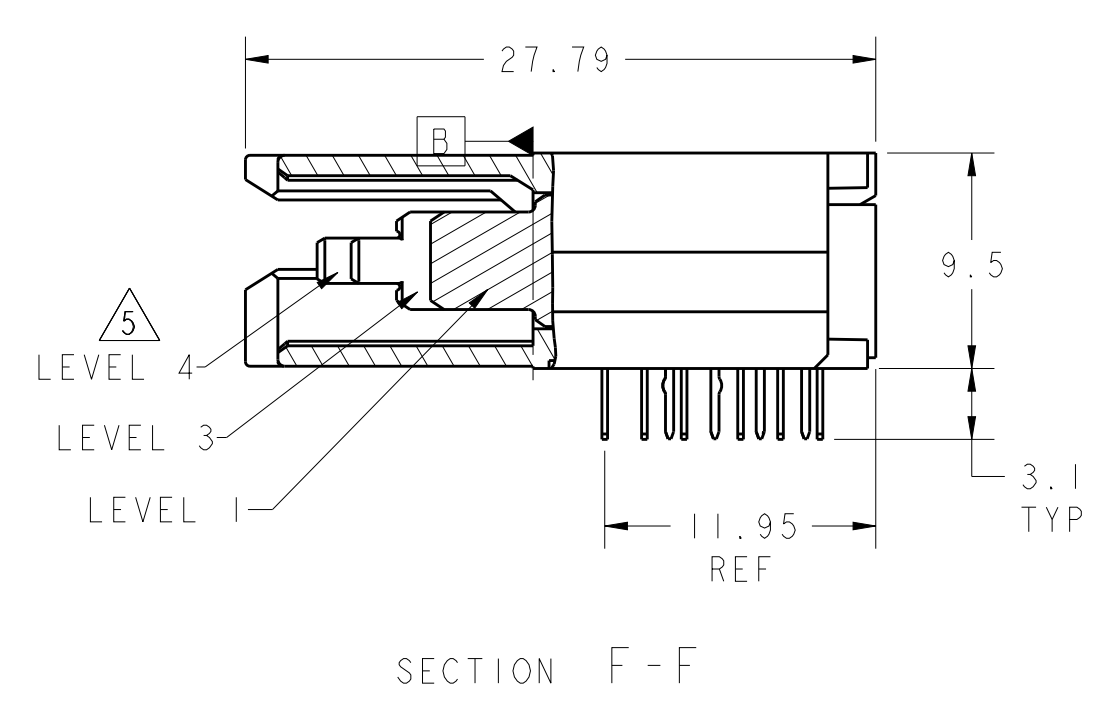
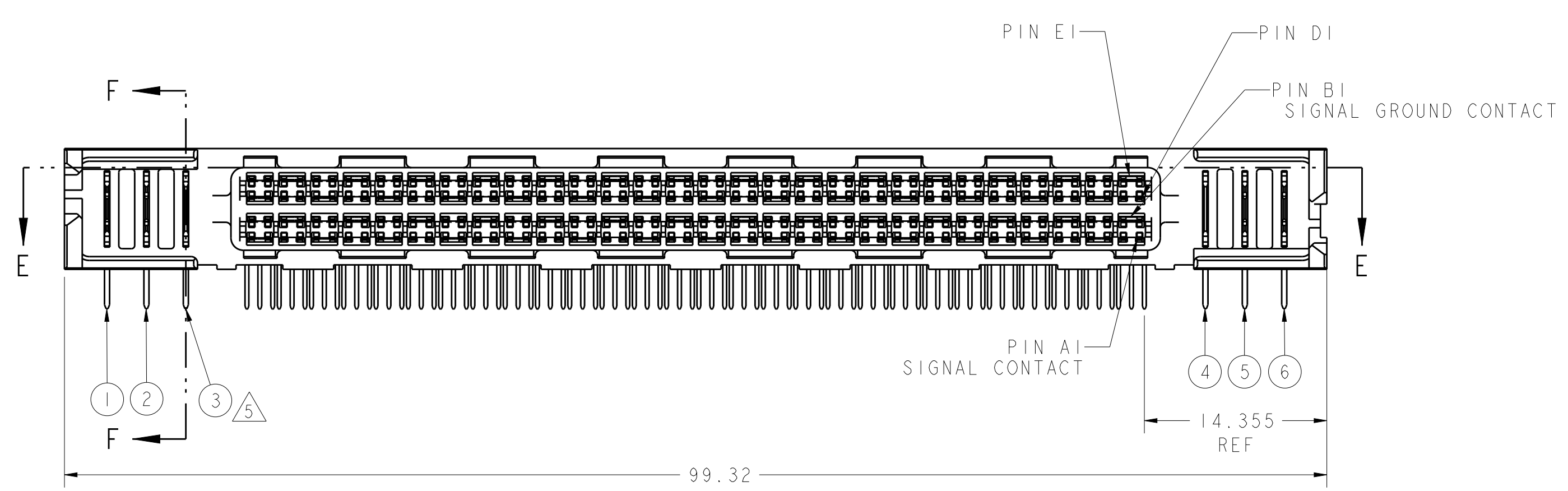
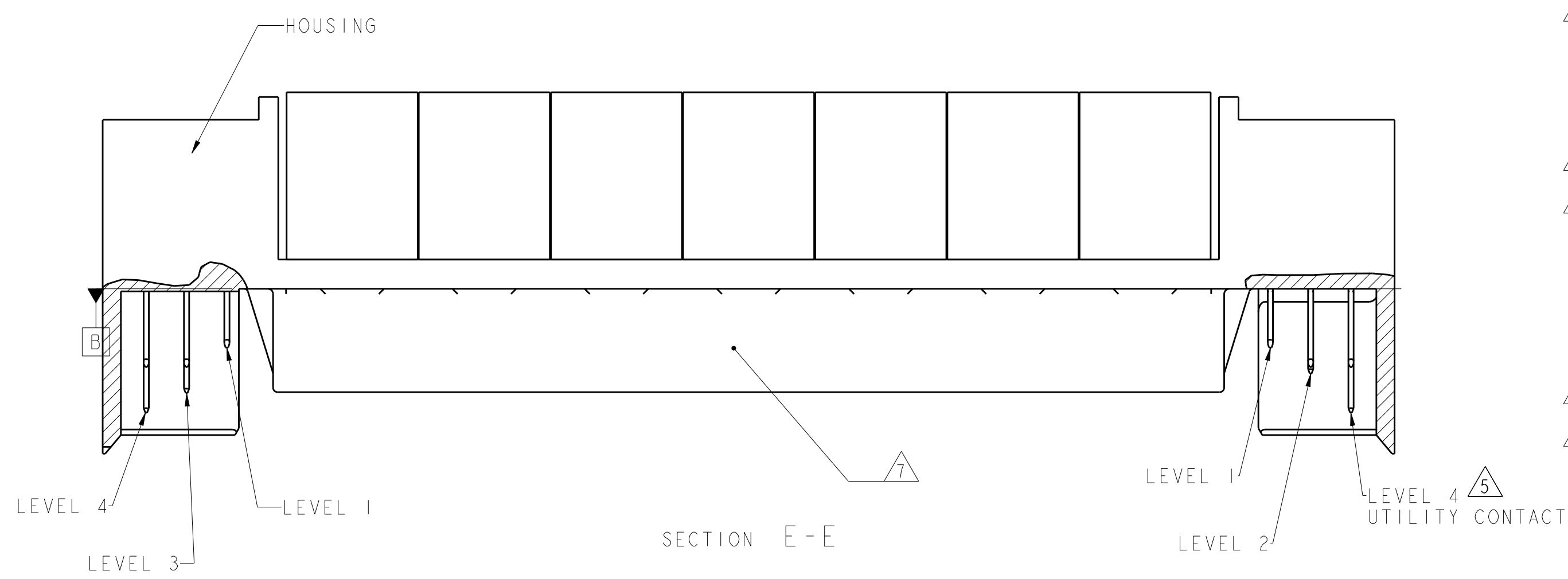
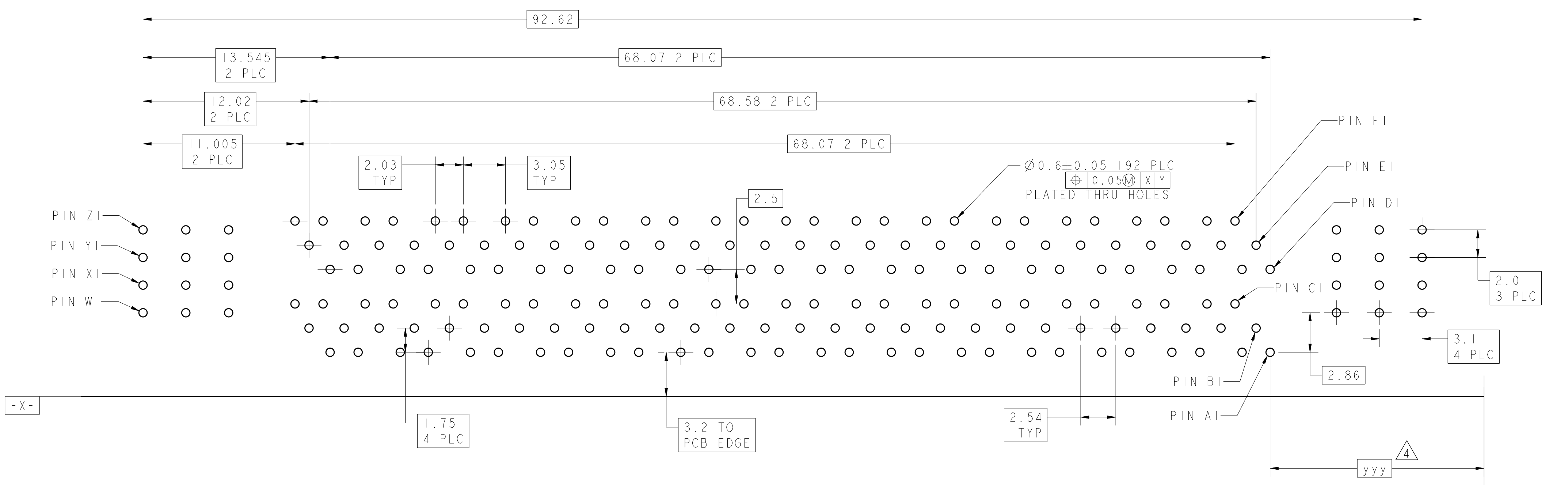


REVISIONS				
P	LTN	DESCRIPTION	DATE	APPD
B		REVISED PER ECO-10-012356	13DEC2010	CJV EJB
C		ECO-15-006497	08APR2016	LL SH

- 1. HOUSINGS; POLYESTER, UL 94V-0 RATED, NATURAL SIGNAL AND SIGNAL GROUND CONTACTS: COPPER ALLOY UTILITY CONTACTS: PHOSPHOR BRONZE
- 2. UTILITY CONTACTS: 0.76µm MIN GOLD IN CONTACT AREA, 2.54µm MIN TIN-LEAD ON PCB TAILS, OVER 1.27µm MIN NICKEL OVER ALL. SIGNAL AND SIGNAL GROUND CONTACTS: 0.76µm MIN GOLD IN CONTACT AREA, 2.54µm MIN TIN-LEAD ON PCB TAILS, OVER 1.27µm MIN NICKEL OVER ALL.
- 3. ROWS A, C, D, AND F ARE SIGNAL CONTACTS. ROWS B AND E ARE SIGNAL GROUND CONTACTS.
- 4. DIMENSIONS PER CUSTOMER BOARD LAYOUT.
- 5. SEE UTILITY CONTACT SEQUENCE TABLE FOR LOCATION AND LEVEL/LENGTH OF UTILITY CONTACTS FOR EACH PRODUCT PART NUMBER. UTILITY LEVEL 1 CAN BE USED FOR SENSING. UTILITY LEVELS 2, 3, AND 4 CAN BE USED FOR POWER, GROUND, OR ESD. SEQUENCING SHOWN IN SECTION E-E SHOWS THREE LEVELS FOR COMPARISON. UTILITY LEVEL 2 EQUALS THE SIGNAL GROUND CONTACT LEVEL. SIGNAL LEVEL IS BETWEEN UTILITY LEVELS 1 AND 2.
- 6. BLOCK DIAGRAM AND CONTACT IDENTIFICATION APPLY TO COPLANAR NON-INVERTED APPLICATION ONLY. CONTACT IDENTIFICATION REVERSES FOR INVERTED APPLICATIONS, I.E COPLANAR OR MID-BOARD INVERTED.
- 7. COMPANY LOGO IN APPROXIMATE AREA SHOWN.
- 8. OBSOLETE PART.



BLOCK DIAGRAM MATING FACE CONFIGURATION



RECOMMENDED PC BOARD FOOTPRINT COMPONENT SIDE SHOWN SCALE 5:1

UTILITY CONTACT SEQUENCE TABLE						
UTILITY CONTACT LEVEL 1, 2, 3, OR 4						
4	3	1	2	2	4	6367557-5
2	3	4	4	3	2	6367557-4
4	3	1	1	3	4	6367557-3
4	2	2	2	2	4	6367557-2
4	3	2	2	3	4	6367557-1
1	2	3	4	5	6	PART NUMBER

UTILITY CONTACT LOCATION

THIS DRAWING IS A CONTROLLED DOCUMENT.

DIMENSIONS: mm TOLERANCES UNLESS OTHERWISE SPECIFIED: 0 PLC ± 1 PLC ±0.3 2 PLC ±0.25 3 PLC ± 4 PLC ± ANGLES ±	DWN: C. VALENTINE 13DEC2010 CHK: P. RECCE 13DEC2010 APPD: P. RECCE 13DEC2010 PRODUCT SPEC: 108-1985 APPLICATION SPEC: 114-13068 WEIGHT: - CUSTOMER DRAWING	NAME: Z-DOK+ ADAPTER BOARD CONNECTOR ASSEMBLY, 56 SIGNAL DIFF. PAIR, 3 UTILITY CONTACTS PER SIDE SIZE: A1 CAGE CODE: 00779 DRAWING NO: 6367557 RESTRICTED TO: - SCALE: 3:1 SHEET 1 OF 1 REV C
--	--	--

Mouser Electronics

Authorized Distributor

Click to View Pricing, Inventory, Delivery & Lifecycle Information:

[TE Connectivity:](#)

[6367557-1](#)