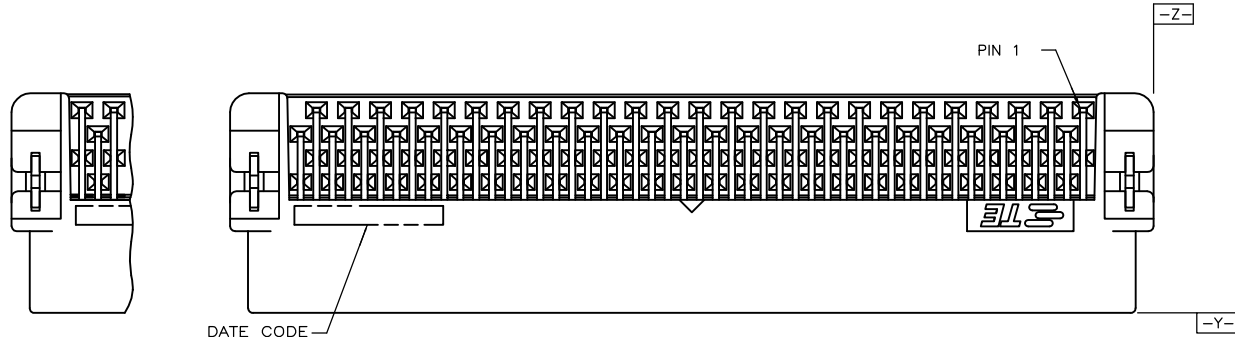
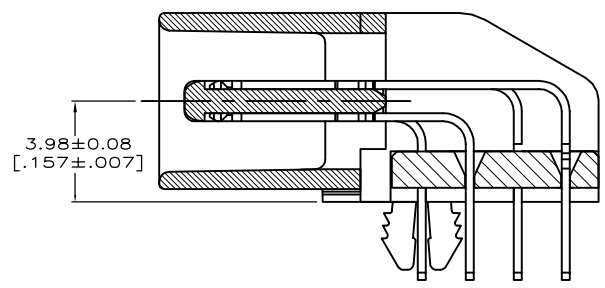


P	LTR	DESCRIPTION	DATE	DWN	APVD
H		REVISED PER ECO-17-013991	22SEP2017	RG	SH

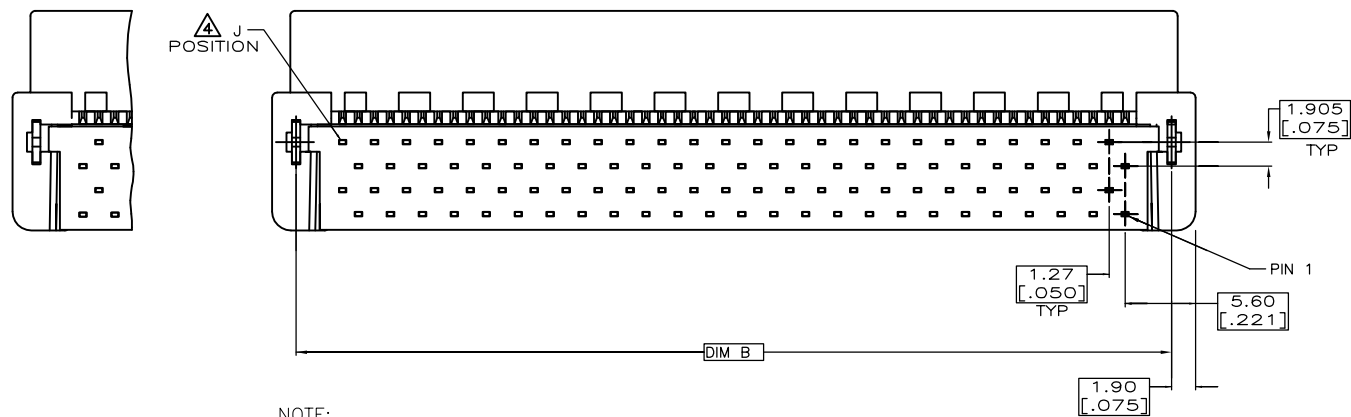
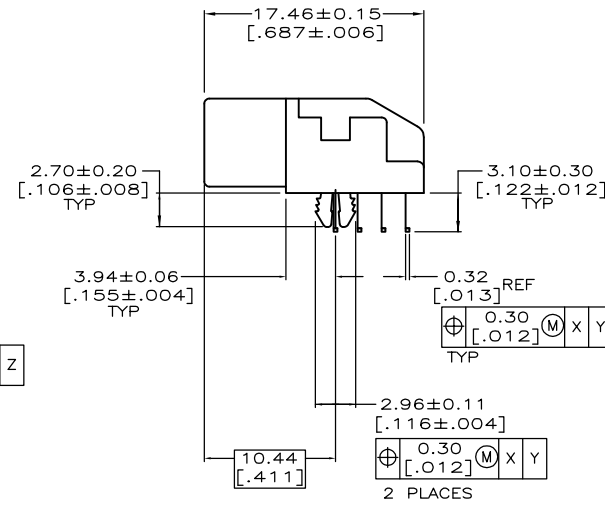
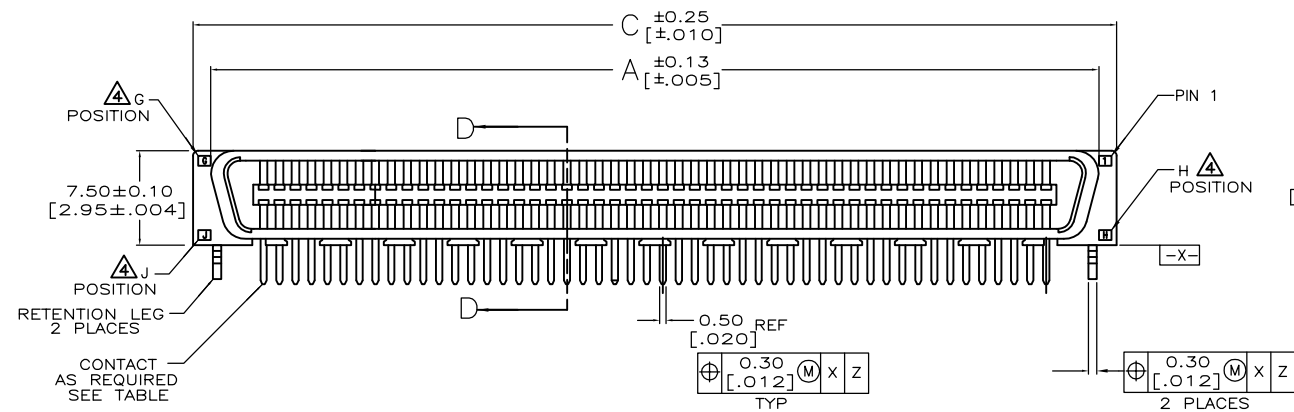


FOR 50 AND 130 POSITIONS ONLY

FOR 40, 60, 68, 80, 100, 120, 140, 160, 180 AND 200 POSITIONS ONLY



SECTION D-D
SCALE 8:1



- NOTE:
- MATERIAL:
HOUSING: LCP, UL 94V-0, BLACK COLOR.
CONTACTS: BRASS.
BOARDLOCKS: BRASS.
 - FINISH:
CONTACTS: (SEE TABLE) GOLD PLATED ON CONTACT AREA, 3.81µm [150µ"] MIN. MATTE-TIN ON SOLDER TAIL, OVER 1.27µm [50µ"] MIN. NICKEL UNDERPLATED.
BOARDLOCKS: 3.81µm [150µ"] MIN. TIN-Cu OVER 1.27µm [50µ"] MIN. UNDERPLATED.
 - WAVE SOLDER CAPABLE TO 265°C PER TEST SPEC. 109-202, CONDITION B.
- G, J, H INDICATE NUMBER OF POSITION MARKED ON ASSEMBLY. ALSO SEE TABLE.
- GOLD FLASH OVER 0.762µm [30µ"] MIN. PALLADIUM-NICKEL PLATED.

E1	OBSOLETE	DIMENSIONS (mm)			POSITIONS	FINISH	PART NUMBER	POS.
		C	B	A				
		136.93 [5.891]	133.13 [5.241]	134.07 [5.278]	100 200 101	GOLD FLASH 0.381µm [15µ"]	5-1734099-8	200
						△	1-1734099-8	
		111.53 [4.391]	107.73 [4.241]	108.67 [4.278]	80 160 81	GOLD FLASH 0.381µm [15µ"]	5-1734099-6	160
						△	1-1734099-6	
		98.83 [3.891]	95.03 [3.741]	95.97 [3.778]	70 140 71	GOLD FLASH 0.381µm [15µ"]	5-1734099-4	140
						△	1-1734099-4	
		86.13 [3.391]	82.33 [3.241]	83.27 [3.278]	20 120 61	GOLD FLASH 0.381µm [15µ"]	5-1734099-2	120
						△	1-1734099-2	
		73.43 [2.891]	69.63 [2.741]	70.57 [2.778]	50 100 51	GOLD FLASH 0.381µm [15µ"]	5-1734099-0	100
						△	1-1734099-0	
		60.73 [2.391]	56.93 [2.241]	57.87 [2.278]	40 80 41	GOLD FLASH 0.381µm [15µ"]	4-1734099-8	80
						△	1734099-8	
		53.11 [2.091]	49.31 [1.941]	50.25 [1.978]	34 68 35	GOLD FLASH 0.381µm [15µ"]	4-1734099-7	68
						△	1734099-7	
		48.03 [1.891]	44.23 [1.741]	45.17 [1.778]	30 60 31	GOLD FLASH 0.381µm [15µ"]	4-1734099-6	60
						△	1734099-6	
		41.68 [1.641]	37.88 [1.491]	38.82 [1.528]	25 50 26	GOLD FLASH 0.381µm [15µ"]	4-1734099-5	50
						△	1734099-5	
		35.33 [1.391]	31.53 [1.241]	32.47 [1.278]	20 40 21	GOLD FLASH 0.381µm [15µ"]	4-1734099-4	40
						△	1734099-4	
		C	B	A	G	J	H	

THIS DRAWING IS A CONTROLLED DOCUMENT.

DWN F. YANG 31MAR2009
 CHK S. CHIEN 31MAR2009
 APVD W. KODAMA 31MAR2009

DIMENSIONS: mm TOLERANCES UNLESS OTHERWISE SPECIFIED:
 0 PLC ± -
 1 PLC ± 0.25
 2 PLC ± 0.2
 3 PLC ± -
 4 PLC ± -
 ANGLES ± -

MATERIAL SEE NOTE FINISH SEE NOTE

PRODUCT SPEC 108-57876
 APPLICATION SPEC -

WEIGHT 0

CUSTOMER DRAWING

STE TE Connectivity
 PLUG ASSEMBLY, R/A,
 BTB, CHAMP .050, SERIES I

SIZE A3 CAGE CODE 00779 DRAWING NO C-1734099 RESTRICTED TO -

SCALE - SHEET 1 of 5 REV H

THIS DRAWING IS UNPUBLISHED.

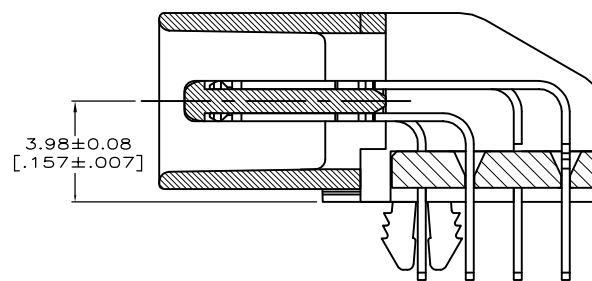
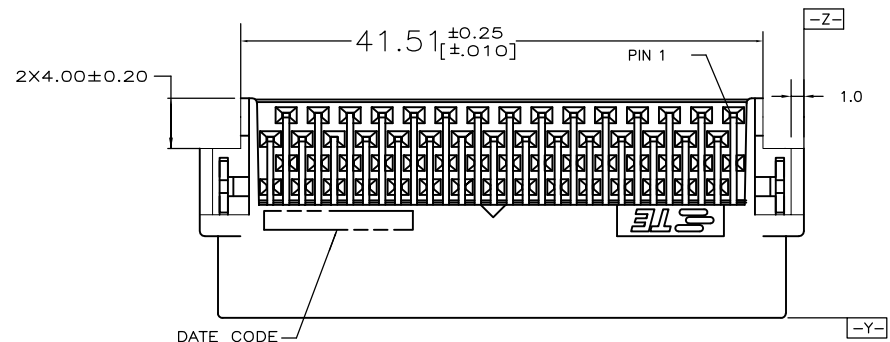
RELEASED FOR PUBLICATION

REVISIONS

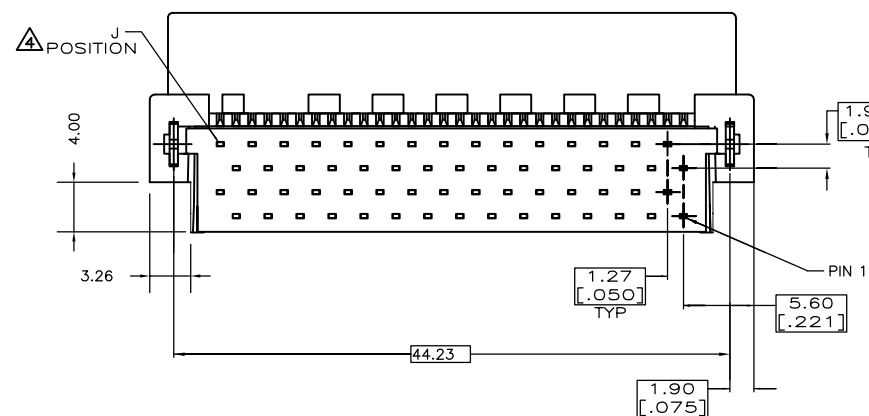
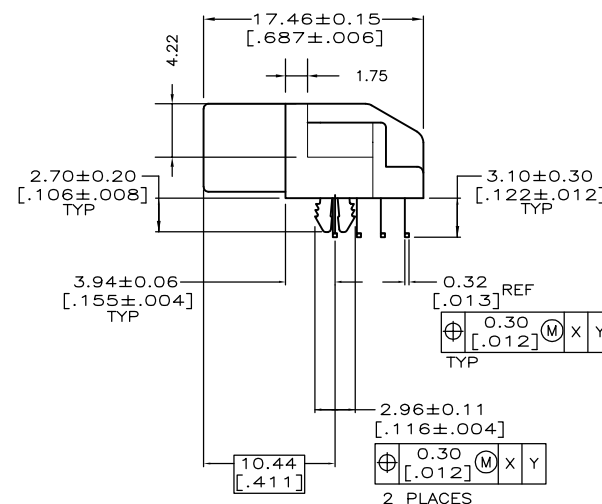
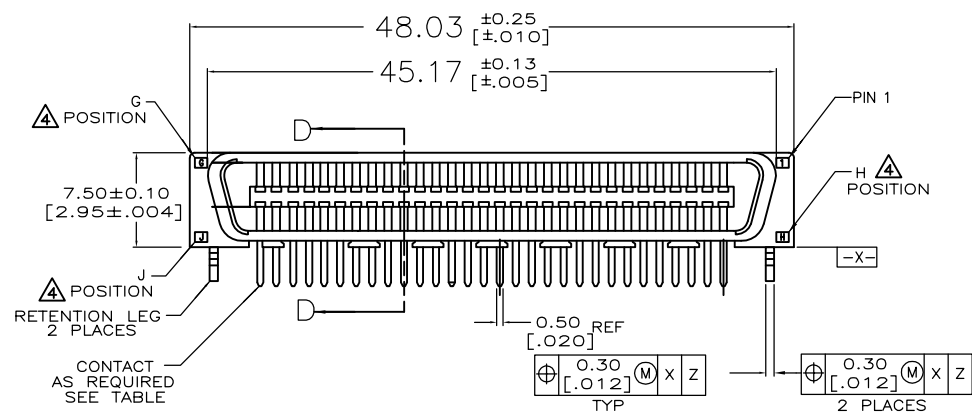
© COPYRIGHT - By -

ALL RIGHTS RESERVED.

P	LTR	DESCRIPTION	DATE	DWN	APVD
-	-	SEE SHEET 1	-	-	-



SECTION D-D
SCALE 8:1



30	60	31	GOLD FLASH	9-1734099-6	
			0.381um[15u"]	8-1734099-6	60
				7-1734099-6	
GA	JA	HA	GOLD PLATED	PART NUMBER	POS.

THIS DRAWING IS A CONTROLLED DOCUMENT.

DWN F. YANG 31MAR2009

CHK S. CHIEN 31MAR2009

APVD W. KODAMA 31MAR2009

PRODUCT SPEC

108-57876

APPLICATION SPEC

WEIGHT -

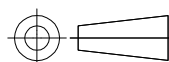
CUSTOMER DRAWING



PLUG ASSEMBLY, R/A,
BTB, CHAMP .050, SERIES I

SIZE	CAGE CODE	DRAWING NO	RESTRICTED TO
A3	00779	C=1734099	-

DIMENSIONS: mm TOLERANCES UNLESS OTHERWISE SPECIFIED:



0 PLC	± -
1 PLC	± 0.25
2 PLC	± 0.2
3 PLC	± -
4 PLC	± -
ANGLES	± -

MATERIAL

SEE NOTE

FINISH

SEE NOTE

SCALE	SHEET	REV
-	2 of 5	H

THIS DRAWING IS UNPUBLISHED.

RELEASED FOR PUBLICATION

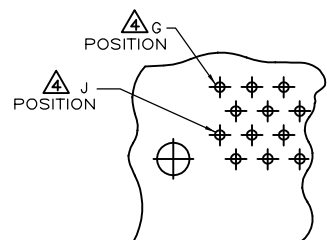
- , -

REVISIONS

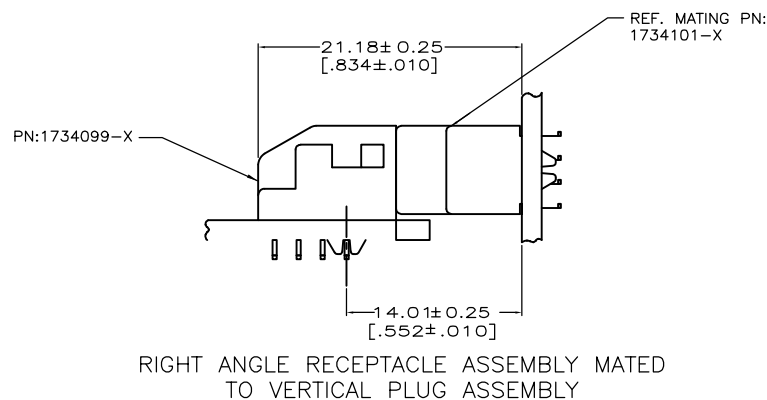
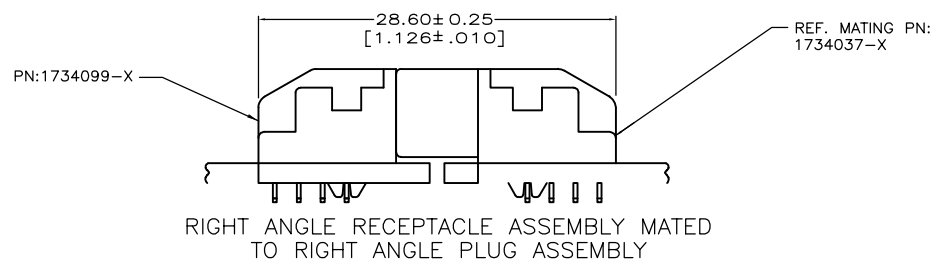
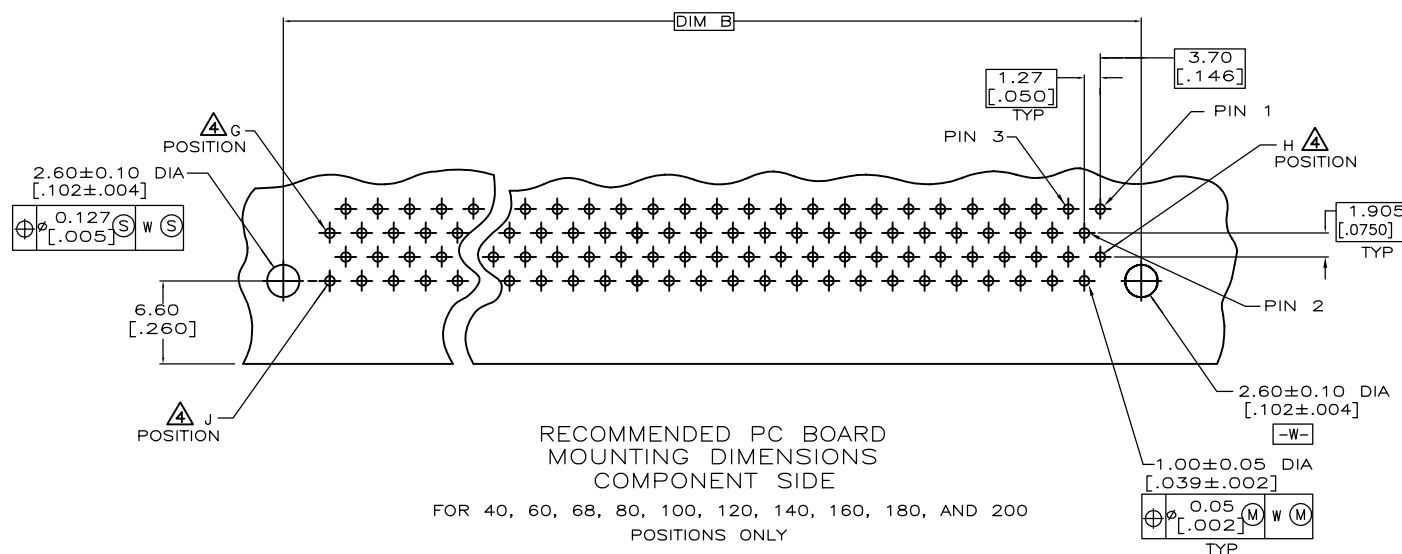
© COPYRIGHT - By -

ALL RIGHTS RESERVED.

P	LTR	DESCRIPTION	DATE	DWN	APVD
-	-	SEE SHEET 1	-	-	-



FOR 50, AND 130 POSITIONS ONLY



THIS DRAWING IS A CONTROLLED DOCUMENT.		DWN		-	
DIMENSIONS:		CHK		-	
TOLERANCES UNLESS OTHERWISE SPECIFIED.		APVD		-	
mm		PRODUCT SPEC		-	
0 PLC ±-		APPLICATION SPEC		-	
1 PLC ±-		WEIGHT		-	
2 PLC ±-		CUSTOMER DRAWING		SCALE	
3 PLC ±-		SCALE		SHEET 3 of 5	
4 PLC ±-		SCALE		REV H	
ANGLES ±-		SIZE		CAGE CODE	
FINISH		DRAWING NO		RESTRICTED TO	
MATERIAL		A3 00779		C=1734099	



PLUG ASSEMBLY, R/A,
BTB, CHAMP .050, SERIES I

THIS DRAWING IS UNPUBLISHED.

RELEASED FOR PUBLICATION

© COPYRIGHT - By -

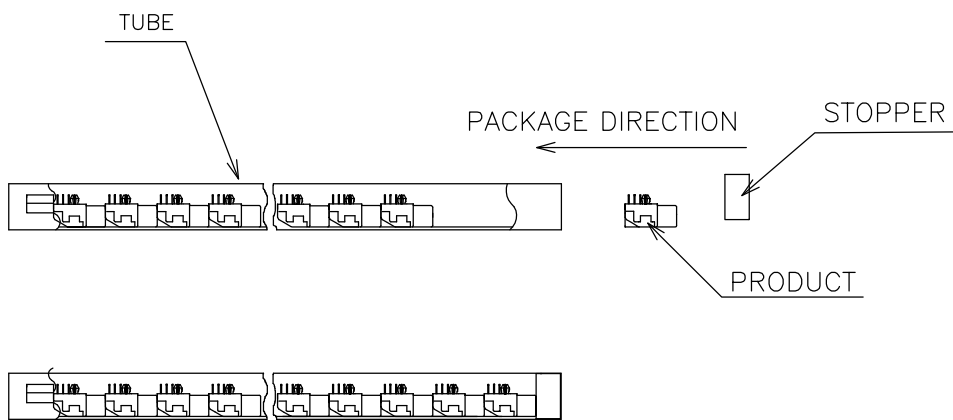
ALL RIGHTS RESERVED.

REVISIONS

P	LTR	DESCRIPTION	DATE	DWN	APVD
-	-	SEE SHEET 1	-	-	-

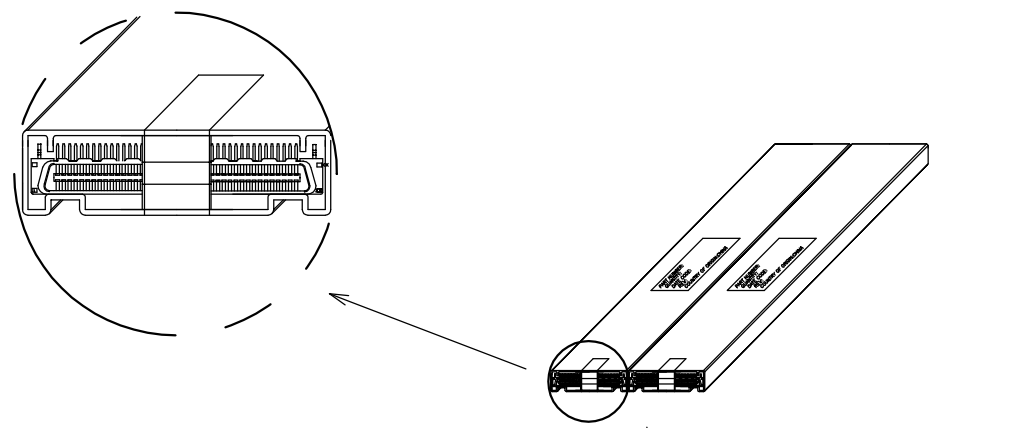
D

D



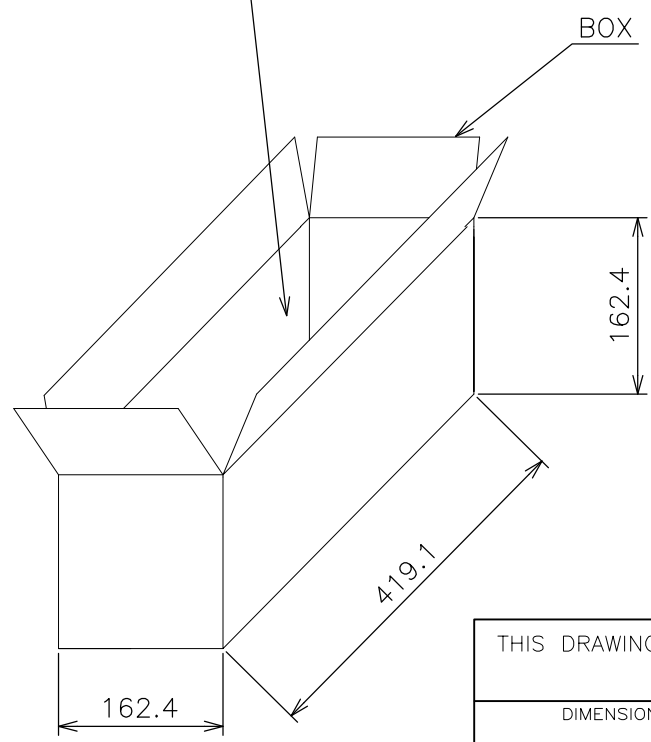
C

C



B

B



POS.	Q'TY/TUBE	TUBE/BOX	Q'TY/BOX	N/W (KG)	G/W (KG)	PART NUMBER
100	21	16	336	2.60	3.44	5-1734099-0
						3-1734099-0
						1-1734099-0
80	21	16	336	2.15	3.00	4-1734099-8
						2-1734099-8
						1734099-8

A

A

THIS DRAWING IS A CONTROLLED DOCUMENT.

DIMENSIONS: mm

TOLERANCES UNLESS OTHERWISE SPECIFIED:

0 PLC	± -
1 PLC	± -
2 PLC	± -
3 PLC	± -
4 PLC	± -
ANGLES	± -

MATERIAL: _____ FINISH: _____

STE TE Connectivity

PLUG ASSEMBLY, R/A, BTB, CHAMP .050, SERIES I

SIZE: A3 CAGE CODE: 00779 DRAWING NO: C-1734099 RESTRICTED TO: _____

CUSTOMER DRAWING SCALE: _____ SHEET: 4 of 5 REV: H

4

3

2

1

THIS DRAWING IS UNPUBLISHED.

RELEASED FOR PUBLICATION

ALL RIGHTS RESERVED.

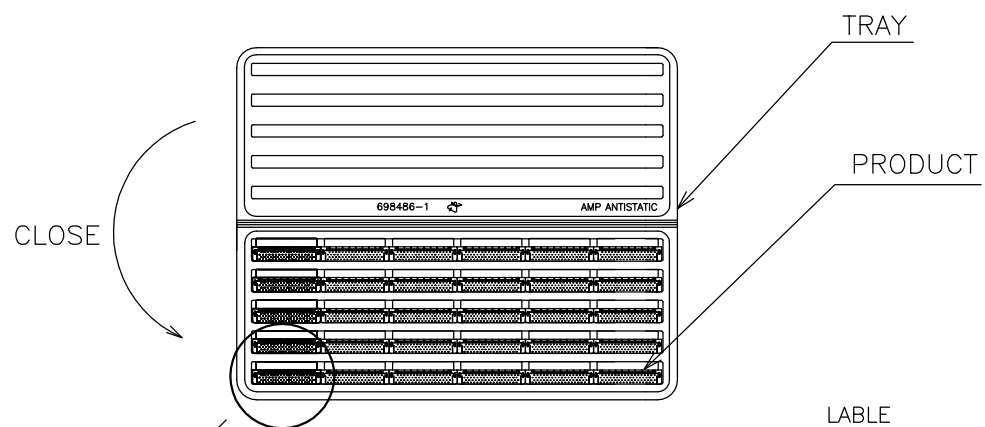
© COPYRIGHT - By -

REVISIONS

P	LTR	DESCRIPTION	DATE	DWN	APVD
-	-	SEE SHEET 1	-	-	-

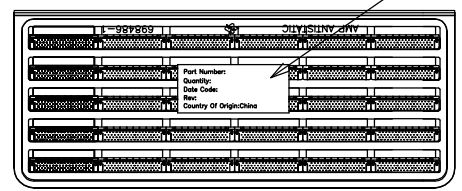
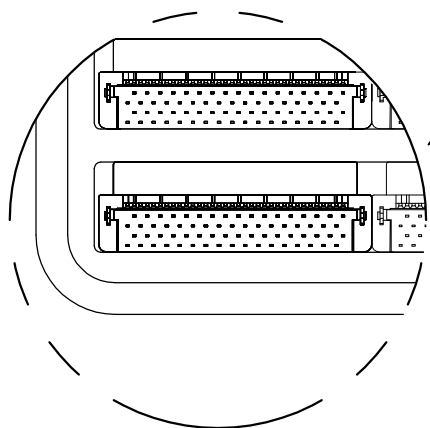
D

D



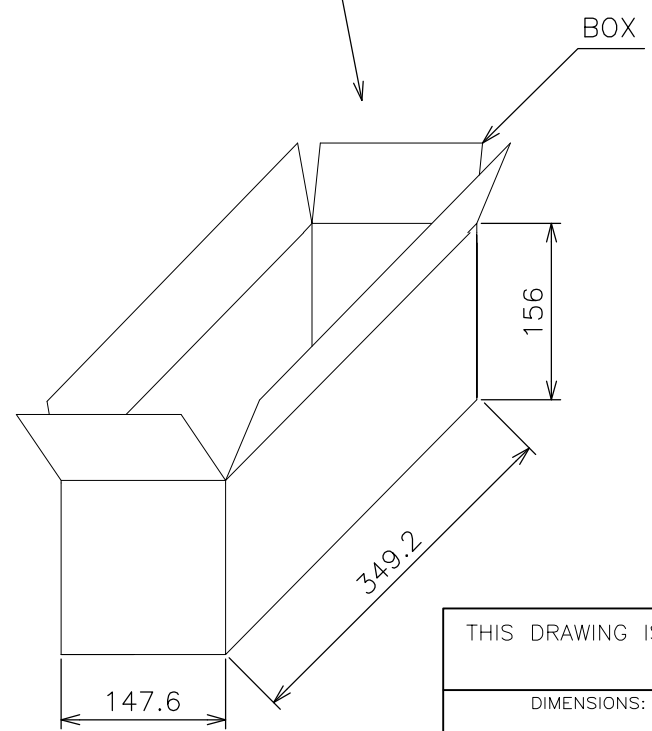
C

C



B

B



A

A

POS.	Q'TY/ TRAY	TRAY/ BOX	Q'TY/ BOX	N/W (KG)	G/W (KG)	PART NUMBER	
E1	OBSOLETE	10	10	100	1.40	2.35	5-1734099-8
							3-1734099-8
							1-1734099-8
	200					5-1734099-6	
						3-1734099-6	
						1-1734099-6	
E1	OBSOLETE	15	10	150	1.59	2.46	5-1734099-4
							3-1734099-4
							1-1734099-4
	120	15	10	150	1.20	2.15	5-1734099-2
							3-1734099-2
							1-1734099-2
	68	30	10	300	1.69	2.64	4-1734099-7
							2-1734099-7
							1734099-7
	60	30	10	300	1.53	2.48	4-1734099-6
							2-1734099-6
							1734099-6
	50	35	10	350	1.58	2.56	4-1734099-5
							2-1734099-5
							1734099-5
	40	45	10	450	1.71	2.66	4-1734099-4
							2-1734099-4
							1734099-4

THIS DRAWING IS A CONTROLLED DOCUMENT.

DWN -
CHK -
APVD -

TE Connectivity

PLUG ASSEMBLY, R/A,
BTB, CHAMP .050, SERIES I

NAME

PRODUCT SPEC -
APPLICATION SPEC -
WEIGHT -

SIZE A3 CAGE CODE 00779 DRAWING NO C=1734099 RESTRICTED TO -

MATERIAL FINISH

TOLERANCES UNLESS OTHERWISE SPECIFIED:

0 PLC	± -
1 PLC	± -
2 PLC	± -
3 PLC	± -
4 PLC	± -
ANGLES	± -

CUSTOMER DRAWING SCALE - SHEET 5 of 5 REV H

Mouser Electronics

Authorized Distributor

Click to View Pricing, Inventory, Delivery & Lifecycle Information:

[TE Connectivity:](#)

[1734099-6](#)