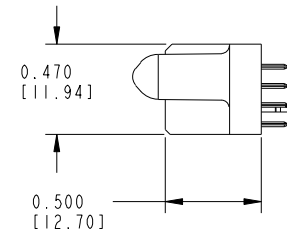
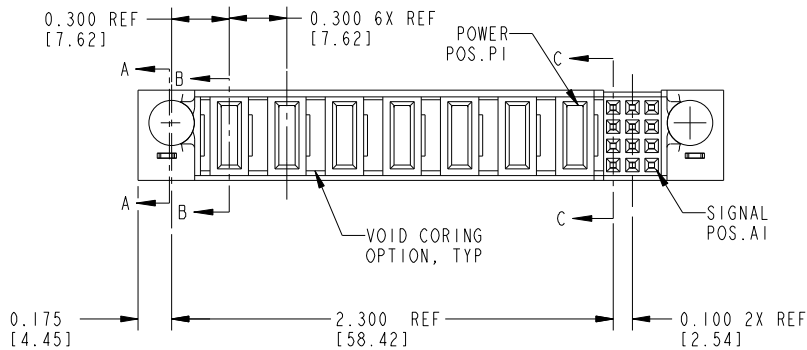
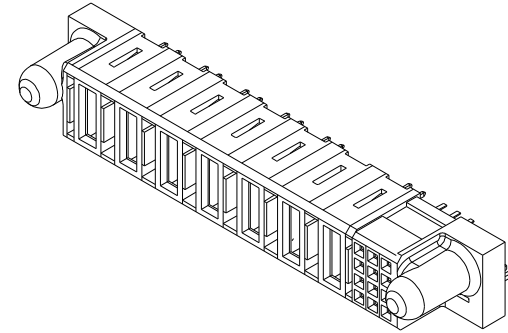
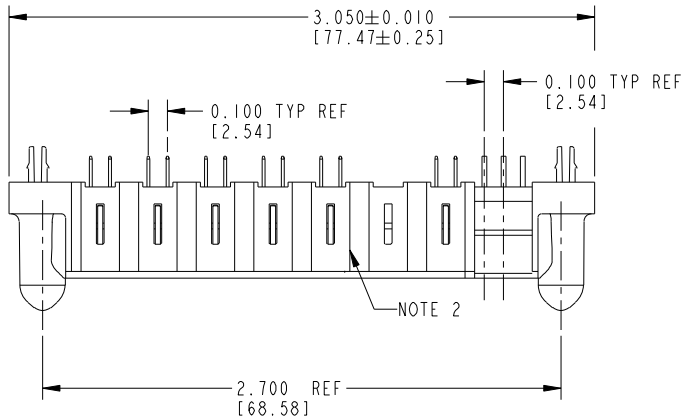


Tous droits strictement réservés. Reproduction ou communication a des tiers interdite sous quelque forme que ce soit sans autorisation écrite du propriétaire. Propriété de c FCI. Droits de reproduction FCI.

All rights strictly reserved. Reproduction or issue to third parties in any form whatever is not permitted without written authority from the proprietor. Property of FCI. Copyright FCI.



PRODUCT NUMBER
51684-001--
NOTE: (3)



mat'l code				NOTE 1		tolerances unless otherwise specified		CUSTOMER		FCI	
lir	ecn no.	dr	date	linear	.xx±.01/0.X±0.3	COPY		projection		www.fciconnect.com	
A	V02393	EKK	10-18-00		.xxx±.005/0.xx±0.13	A		title		12S + 7ACP	
B	DG05-0171	GuoJM	06/19/05	angles	.xxx±.0020/.xxx±.051	INCH/MM		product family		PWRBLADE	
C	DG06-0375	JULIA	09/06/06		0°±2°	scale		size		dwg no	
				dr	S. ROYER 12/13/99	1:1		A		51684	
				enrg	J. BROWN 12/13/99					code	
				chr	J. BROWN 12/13/99					213	
				appd	J. BROWN 01/18/00					sheet	
sheet index	revision sheet	C	C							1 of 3	
		1	2								
			3								

Pro/E

PDM: Rev: C

STATUS: Released

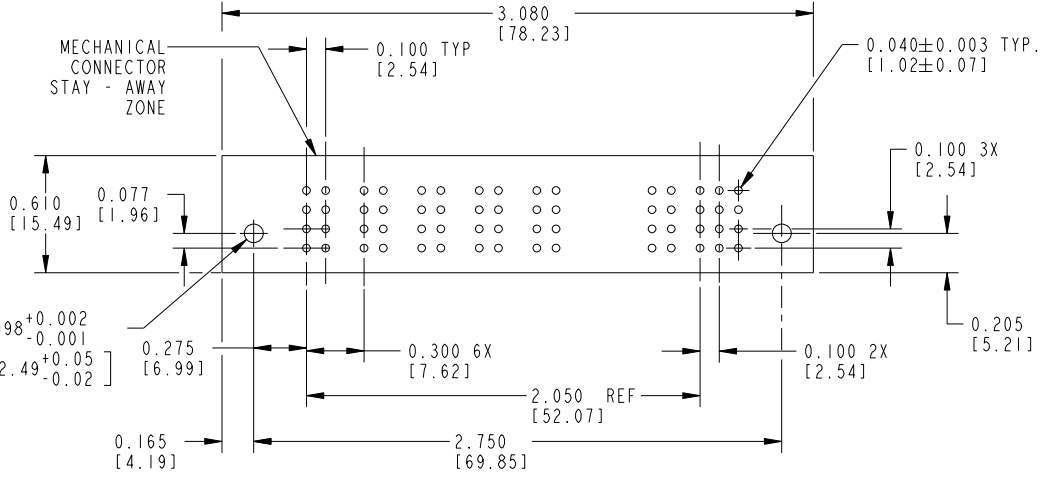
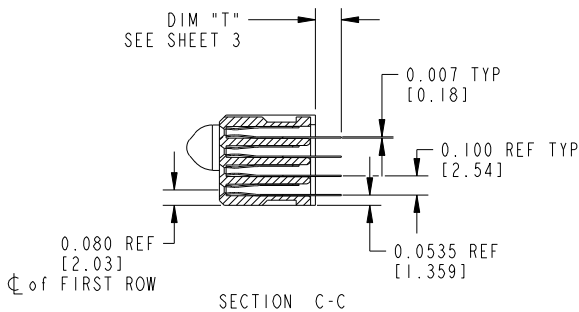
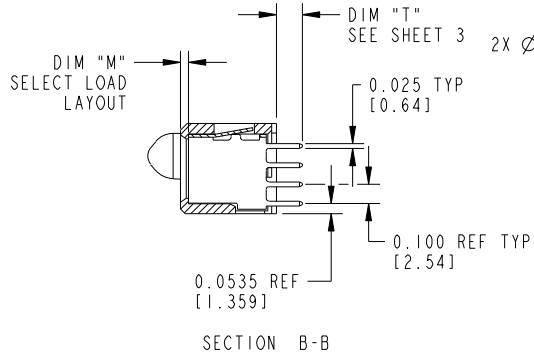
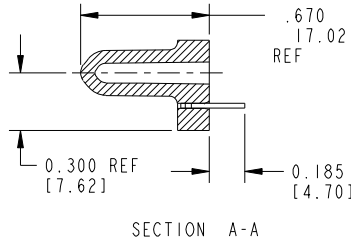
Printed: Dec 20, 2010

Tous droits strictement réservés. Reproduction ou communication a des tiers interdite sous quelque forme que ce soit sans autorisation écrite du propriétaire. Propriété de c FCI. Droits de reproduction FCI.

All rights strictly reserved. Reproduction or issue to third parties in any form whatever is not permitted without written authority from the proprietor. Property of FCI. Copyright FCI.



PRODUCT NUMBER
51684-001
NOTE: (3)



RECOMMENDED PCB LAYOUT

mat'l code		tolerances unless otherwise specified		CUSTOMER		 www.fciconnect.com	
lbr	ecn no.	dr	date	linear	.XX±.01/0.X±0.3	COPY	
C				projection	.XXX±.005/0.XX±0.13		
				angles	.XXX±.0020/.XXX±.051		
				dr	0°±2°	product family PWRBLADE code 213	
				enrg	S. ROYER 12/13/99	size dwg no 51684 sheet 2	
				chr	J. BROWN 12/13/99	scale 1:1	
				appd	J. BROWN 01/18/00	A	
sheet index	revision sheet						

Pro/E

PDM: Rev: C

STATUS: Released

Printed: Dec 20, 2010

Tous droits strictement réservés. Reproduction ou communication a des tiers interdite sous quelque forme que ce soit sans autorisation écrite du propriétaire. Propriété de c FCI. Droits de reproduction FCI.



All rights strictly reserved. Reproduction or issue to third parties in any form whatever is not permitted without written authority from the proprietor. Property of FCI. Copyright FCI.

1 | 2

3

4

PRODUCT No.	ROWS	POWER											ITEM NO.	QTY	DIM "M" MATING LENGTH ±.010 [0.25]		DIM "T" TAIL LENGTH ±.010 [0.25]		CONTACT TYPE		
		E2	P7	P6	P5	P4	P3	P2	P1	3	2	1			E1						
51684-001 - NOTE: ③	D C B A													HA	2	N/A	[N/A]	N/A	[N/A]	HOLD-DOWN	
															PA	6	0.042	[1.07]	0.135	[3.43]	POWER
															E	12	N/A	[N/A]	0.135	[3.43]	SIGNAL

CONNECTORS - NOTES:

- HOUSING MATERIAL: GLASS FILLED HIGH TEMP. THERMOPLASTIC, FLAME RETARDANT PER UL94 V-0.
SIGNAL PIN MATERIAL: COPPER ALLOY
POWER CONTACT MATERIAL: COPPER ALLOY
 - "MANUFACTURER'S NAME", P/N, AND DATE CODE TO APPEAR ON THIS SURFACE
 - 51684-001;51684-001LF;51684-001GLF PLATING SPEC. SEE PRINT:10064183
- PCB - NOTES:
- ALL DIMENSIONS ARE BASIC UNLESS OTHERWISE SPECIFIED.
 - ALL THROUGH HOLES ARE LOCATED WITH A TRUE POSITION OF .004
 - ALL HOLE DIAMETERS ARE FINISHED HOLE SIZE
 - Ø0.098 THROUGH HOLES ARE UNPLATED
 - Ø.0453/1.151 DRILLED HOLES PLATED WITH .0003/.007 MIN SnPb or Sn OVER .001/1.03 to .003/.08 Cu PLATING TO ACHIEVE A .040±.003/1.02±.08 HOLE

mat'l code		tolerances unless otherwise specified		CUSTOMER		FCI	
lfr	ecn no.	dr	date	COPY		www.fciconnect.com	
C				linear	projection	title	
				.xx±.01/0.X±0.3		12S + 7ACP	
				.xxx±.005/0.XX±0.13		VERTICAL SOLDER RECEPTACLE	
				angles		product family	
				0°±2°		PWRBLADE	
				dr	INCH/MM	code	
				S. ROYER 12/13/99		213	
				enrg J. BROWN 12/13/99		sheet	
				chr J. BROWN 12/13/99		3	
				appd J. BROWN 01/18/00	scale	size	
					1:1	dwg no	
						51684	
sheet index	revision sheet					code	
						22516	

1 | 2

Pro/E

PDM: Rev: C

STATUS: Released

Printed: Dec 20, 2010

A

A

B

B

Mouser Electronics

Authorized Distributor

Click to View Pricing, Inventory, Delivery & Lifecycle Information:

[FCI / Amphenol:](#)

[51684-001LF](#)