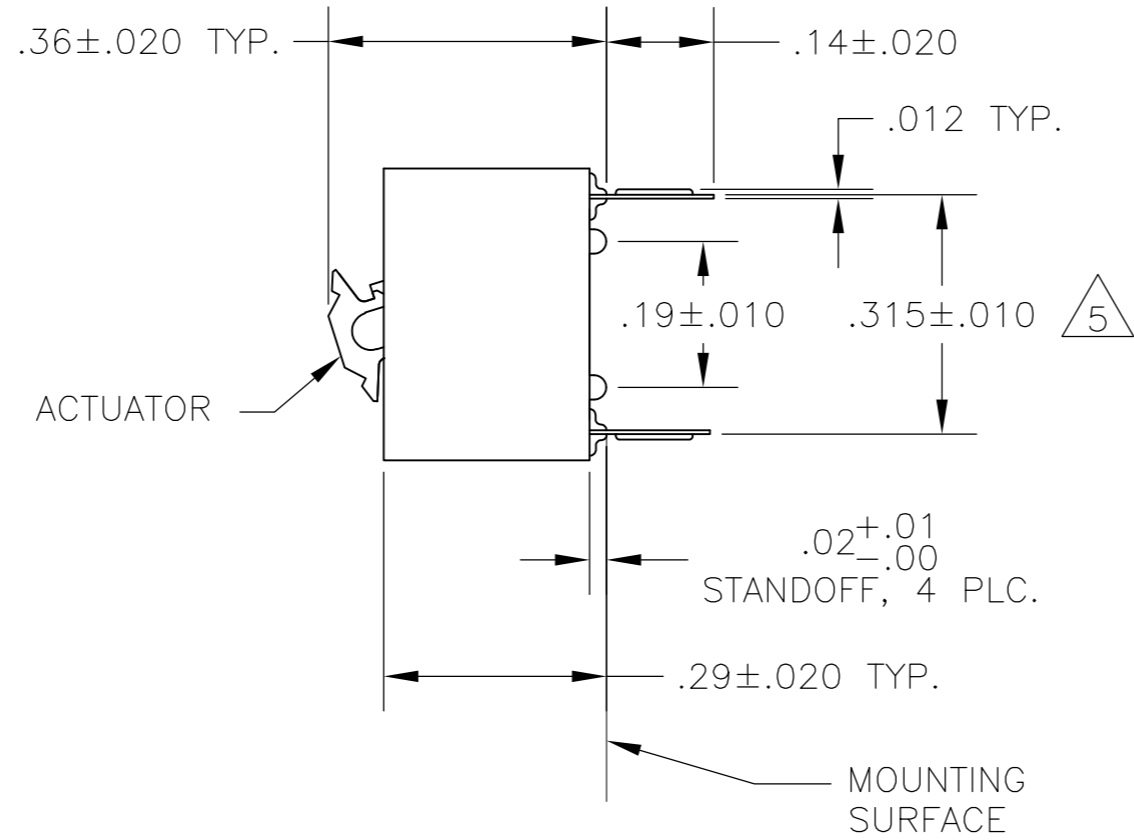
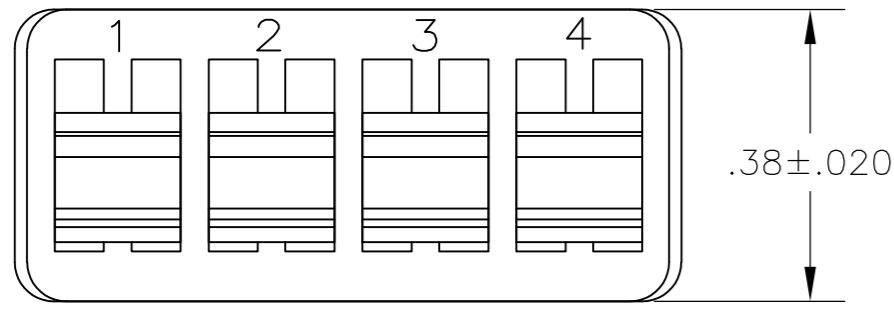


THIS DRAWING IS UNPUBLISHED. RELEASED FOR PUBLICATION
 © COPYRIGHT BY TYCO ELECTRONICS CORPORATION. ALL RIGHTS RESERVED.

| LOC | | DIST | | REVISIONS | | | |
|-----|-----|---------------------------|---------|-----------|------|--|--|
| P | LTR | DESCRIPTION | DATE | DWN | APVD | | |
| AG | 1 | | | | | | |
| | AE | REVISED PER ECO-05-002780 | 25MAY06 | GS | MS | | |
| | AE1 | REVISED PER ECO-09-020932 | 04SEP09 | KK | AEG | | |



- FOR ADDITIONAL SPECIFICATIONS SEE AMP PRODUCT SPEC 108-7519.
- SWITCH SHOWN IN OPEN POSITION.
- ALL CHARACTERS AND ROCKERS ARE WHITE, HOUSING IS BLACK.
- STAMPING WILL VARY ON 2 POSITION SIDES DUE TO SPACE RESTRICTIONS.

- 5 .315 DIMENSION APPLIES AT TERMINAL TIPS. TERMINALS ARE .300-.000 AT MOUNTING SURFACE.
- 6 ACTUATOR COLOR IS BLUE.
- 7 ALL MATERIALS AND FINISHES SHALL COMPLY WITH EU DIRECTIVE 2002/95/EC OF 27JAN2003 (ROHS)
- 8 OBSOLETE PARTS: OBSOLETE CIS STREAMLINING PER D.RENAUD/D.SINISI

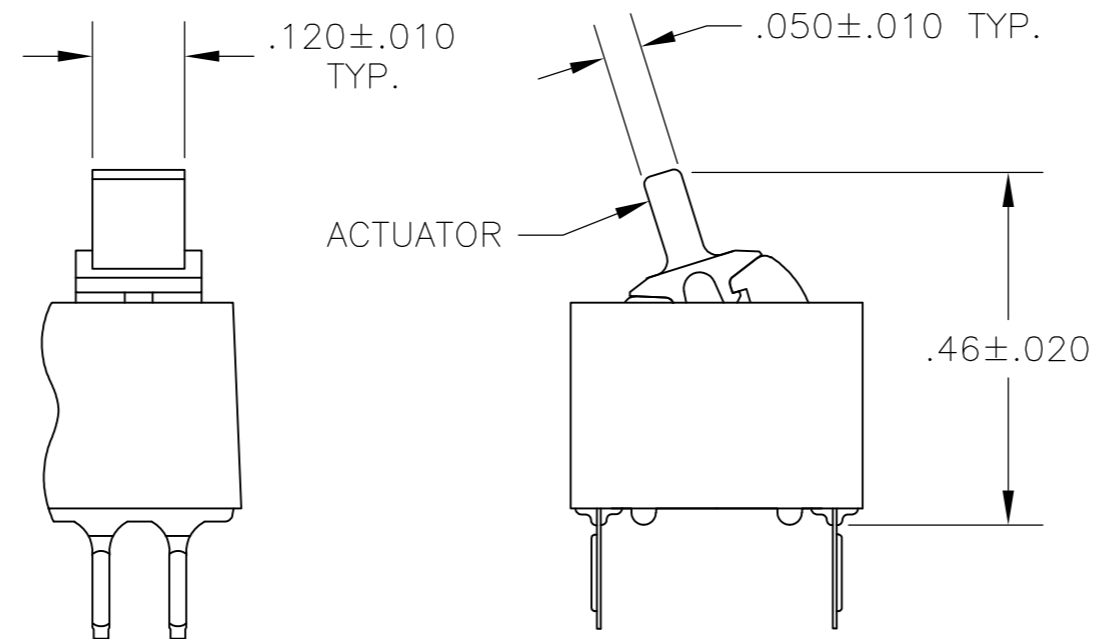
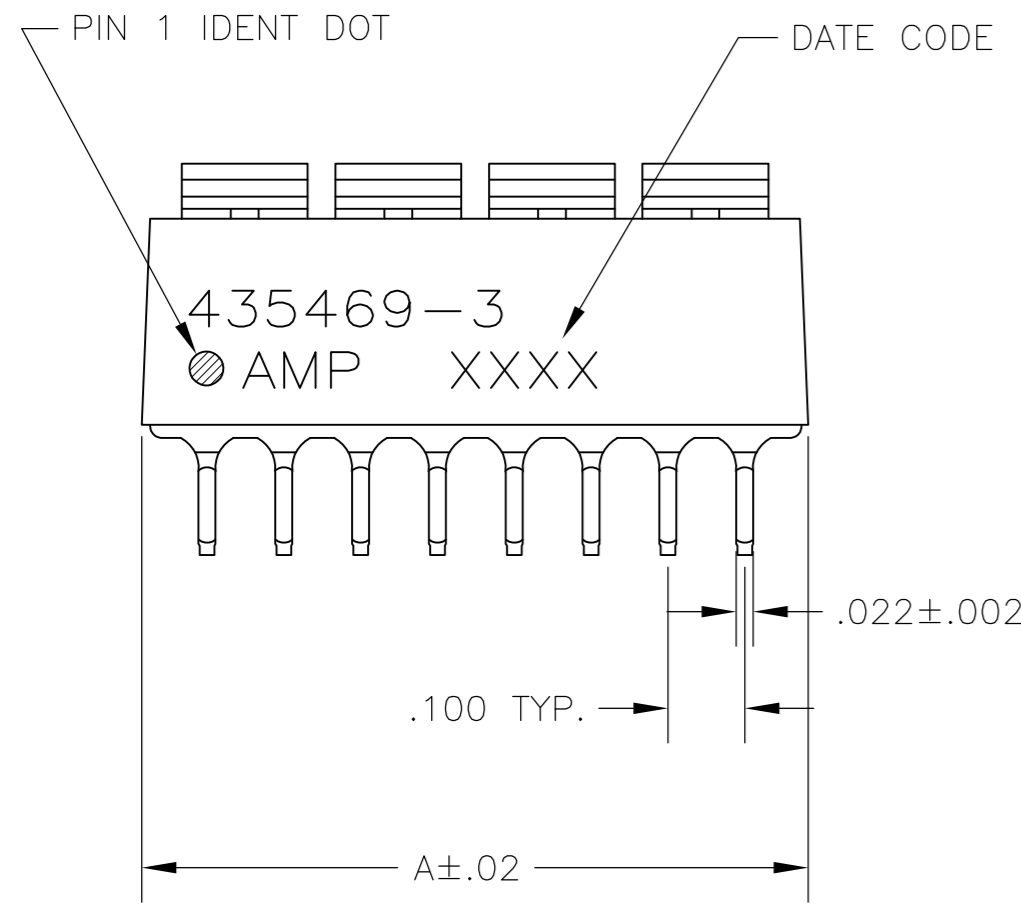


FIGURE 1
LEVER ACTUATOR SHOWN

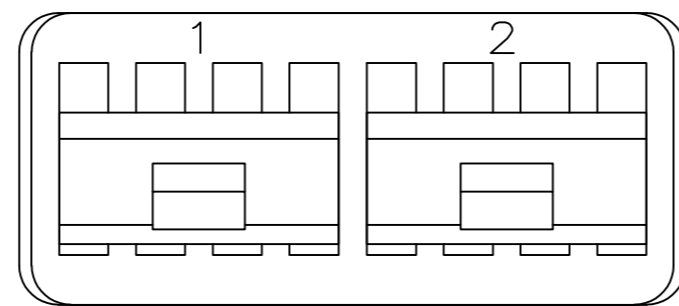
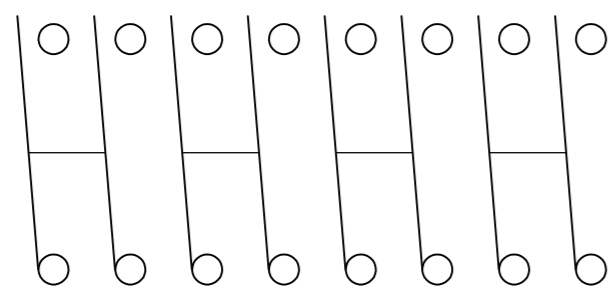
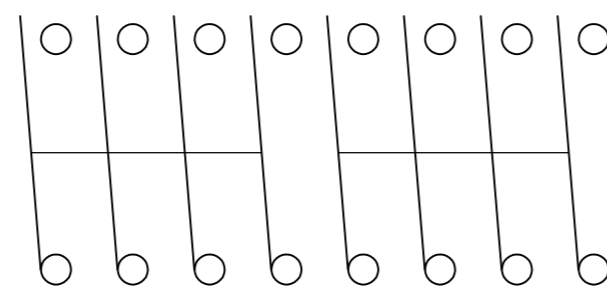


FIGURE 2



DPST



4PST

CONTACT ARRANGEMENT

| 7/8 | OBSELETE | AS SHOWN | NONE | .28 | DPST | 2 | 8-435469-4 |
|--------------------------|----------|----------|----------|------|------|----|------------|
| | | FIG 1 | NONE | .48 | 4PST | 4 | 8-435469-1 |
| | | FIG 1 | AS SHOWN | 1.28 | DPST | 12 | 7-435469-6 |
| | | FIG 1 | AS SHOWN | 1.08 | DPST | 10 | 7-435469-5 |
| | | FIG 1 | AS SHOWN | .88 | DPST | 8 | 7-435469-4 |
| | | FIG 1 | AS SHOWN | .68 | DPST | 6 | 7-435469-3 |
| | | FIG 1 | AS SHOWN | .48 | DPST | 4 | 7-435469-2 |
| | | FIG 1 | NONE | .28 | DPST | 2 | 7-435469-1 |
| | | AS SHOWN | NONE | .28 | DPST | 2 | 5-435469-9 |
| | | AS SHOWN | NONE | .48 | 4PST | 4 | 5-435469-7 |
| | | AS SHOWN | AS SHOWN | .88 | DPST | 8 | 5-435469-3 |
| | | AS SHOWN | NONE | .28 | DPST | 2 | 3-435469-4 |
| | | FIG 1 | FIG 2 | .88 | 4PST | 8 | 3-435469-2 |
| | | FIG 1 | NONE | .48 | 4PST | 4 | 3-435469-1 |
| | | FIG 1 | AS SHOWN | 1.28 | DPST | 12 | 2-435469-6 |
| | | FIG 1 | AS SHOWN | 1.08 | DPST | 10 | 2-435469-5 |
| | | FIG 1 | AS SHOWN | .88 | DPST | 8 | 2-435469-4 |
| | | FIG 1 | AS SHOWN | .68 | DPST | 6 | 2-435469-3 |
| | | FIG 1 | AS SHOWN | .48 | DPST | 4 | 2-435469-2 |
| | | FIG 1 | NONE | .28 | DPST | 2 | 2-435469-1 |
| SUPERSEDED BY 2-435469-6 | | AS SHOWN | AS SHOWN | 1.28 | DPST | 12 | 1-435469-0 |
| | | AS SHOWN | NONE | .28 | DPST | 2 | 435469-9 |
| | | AS SHOWN | NONE | .48 | 4PST | 4 | 435469-7 |
| | | AS SHOWN | FIG 2 | .88 | 4PST | 8 | 435469-6 |
| | | AS SHOWN | AS SHOWN | 1.08 | DPST | 10 | 435469-4 |
| | | AS SHOWN | AS SHOWN | .88 | DPST | 8 | 435469-3 |
| | | AS SHOWN | AS SHOWN | .68 | DPST | 6 | 435469-2 |
| | | AS SHOWN | AS SHOWN | .48 | DPST | 4 | 435469-1 |

| ACTUATOR | TOP MARKING | A | SWITCH TYPE | NO OF POSN. | PART NO. |
|----------|-------------|---|-------------|-------------|----------|
| | | | | | |

| | | | | |
|---|--|-----------------------|---|--|
| THIS DRAWING IS A CONTROLLED DOCUMENT. | | DWN R.TALLEY 3-15-90 | Tyco Electronics Corporation Tyco Electronics Harrisburg, Pa 17105-3608 | |
| DIMENSIONS: INCHES | | CHK R.MILLER 3-27-90 | NAME | |
| TOLERANCES UNLESS OTHERWISE SPECIFIED: | | APVD H.LEITER 3-27-90 | SWITCH ASSY, DIP, TYPE C, 7000 SERIES, DPST & 4PST | |
| 0 PLC ± - | | PRODUCT SPEC | SIZE CAGE CODE DRAWING NO RESTRICTED TO | |
| 1 PLC ± - | | APPLICATION SPEC | A2 00779 C=435469 | |
| 2 PLC ± - | | | SCALE 4:1 SHEET 1 OF 1 REV AE1 | |
| 3 PLC ± .005 | | | | |
| 4 PLC ± - | | | | |
| ANGLES ± - | | | | |
| FINISH | | WEIGHT - | | |
| HOUSING & ROCKER: POLYESTER | | CUSTOMER DRAWING | | |
| CONTACTS: BERYLLIUM COPPER | | | | |
| CONTACTS: PLATED .000030 MIN. GOLD IN CONTACT AREA OVER .000050 MIN. NICKEL | | | | |

Mouser Electronics

Authorized Distributor

Click to View Pricing, Inventory, Delivery & Lifecycle Information:

[TE Connectivity:](#)

[435469-7](#)