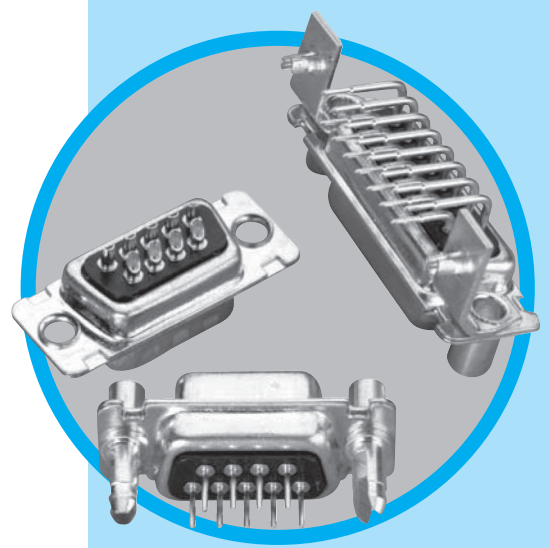


D-DF

D-Sub connectors - Screw-machined Contacts

FIXED MACHINED CONTACT CONNECTOR



CHARACTERISTICS

Specifications

- Connectors according to MIL C24308 - NFC93425-HE5

Materials and Platings	
Shells	Steel tinned with dimples on plug connector
Insulator	Glass-filled thermoplastic, UL 94V-0
Rear insert	Brass, 3µm up to 5µm (118µ" up to 197µ") tinned over nickel 2µm up to 3µm (78µ" up to 118µ")
Boardlock	Tin plating 4µm up to 6µm (157µ" up to 236µ") over nickel 2µm up to 3µm (78µ" up to 118µ")
Screwlock	Brass, 6µm up to 10µm (236µ" up to 394µ") tinned over nickel 2µm up to 3µm (78µ" up to 118µ")
Contacts	D: brass DF: pin = brass socket = copper alloy Right angle version: full gold plating over 2µm to 3µm nickel Straight version: full gold plating over 2µm up to 3µm (78µ" up to 118µ") nickel

Electrical Data	
Current rating	7.5A
Voltage rating	300V AC/rms 50Hz
Withstanding voltage	1000V AC/rms 50Hz for one minute
Insulation resistance	5000MΩ
Contact resistance	D: 8.5mΩ max DF: 5mΩ max

Climatic Data	
Operating temperature	D / DF: -55°C to + 125°C
Salt spray	48 hours
Humidity	D: 21 days (40°C - 95% HR) DF: 56 days (40°C - 95% HR)

Mechanical Data		
Mating and unmating force		
Unit: kg (lb)		
No. of Cts	Mate (max)	Unmate (min)
9 (size E)	3.05 (6.74)	0.36 (0.79)
15 (size A)	5.09 (11.24)	0.46 (1.01)
25 (size B)	8.44 (18.66)	0.81 (1.8)
37 (size C)	12.51 (27.65)	1.1 (2.47)
50 (size D)	14.65 (32.38)	1.6 (3.56)

DESCRIPTION

Amphenol's 17D and 17DF series fixed contact D-Subminiature connector is suitable for industrial or telecom use.

The machined contact provide stability and reliability.

This series offers the broadest range of termination options in the Amphenol line.

*Connectors
for industrial
and
telecom use*

APPLICATIONS

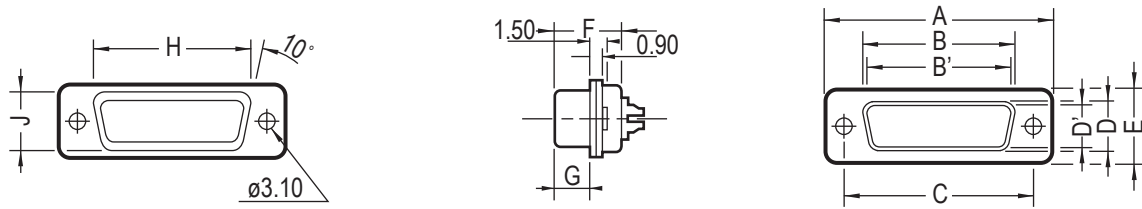
- Medical
- Industrial
- Telecom
- Any industry standard I / O connections



Amphenol

D-DF / E18

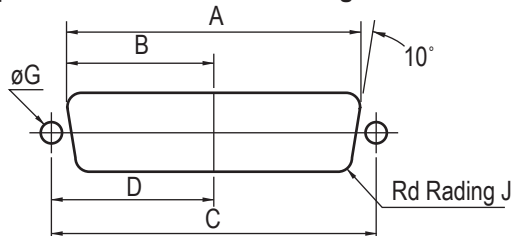
Shell size dimensions



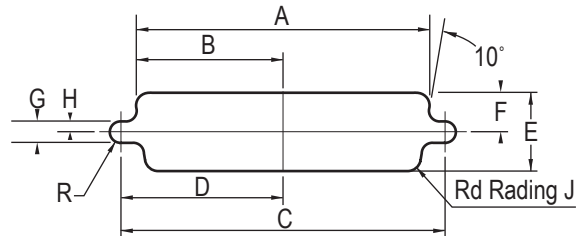
Shell size	Contact P: Pin S: Socket	A ±0.25 (±.010)	B 0/-0.20 (0/- .008)	B' +0.20/0 (+.008/0)	C ±0.10 (±.004)	D 0/-0.25 (0/- .010)	D' +0.25/0 (+.010/0)	E ±0.20 (±.008)	F +0.05/-0.20 (+.002/- .008)	F' +0.10/-0.20 (+.004/- .008)	G +0.10/-0.20 (+.004/- .008)	G' ±0.10 (±.004)	H +0.10/-0.40 (+.004/- .016)	J 0/-0.50 (0/- .020)
E	P	30.7 (1.209")		16.8 (.661")	25.0 (.984")		8.2 (.323")	12.4 (.488")		10.9 (.429")		5.9 (.232")	19.4 (.764")	11.0 (.433")
	S		16.4 (.646")			8.0 (.315")			11.1 (.437")		6.2 (.244")			
A	P	39.0 (1.535")		25.1 (.988")	33.3 (1.311")		8.2 (.323")	12.4 (.488")		10.9 (.429")		5.9 (.232")	27.7 (1.091")	11.0 (.433")
	S		24.8 (.976")			8.0 (.315")			11.1 (.437")		6.2 (.244")			
B	P	52.9 (2.083")		38.8 (1.528")	47.0 (1.850")		8.2 (.323")	12.4 (.488")		11.0 (.433")		5.8 (.228")	41.4 (1.630")	11.0 (.433")
	S		38.5 (1.513")			8.0 (.315")			11.1 (.437")		6.2 (.244")			
C	P	69.2 (2.724")		55.3 (2.177")	63.5 (2.500")		8.2 (.323")	12.4 (.488")		11.0 (.433")		5.8 (.228")	57.9 (2.280")	11.0 (.433")
	S		54.9 (2.161")			8.0 (.315")			11.1 (.437")		6.2 (.244")			
D	P	66.8 (2.630")		52.7 (2.075")	61.1 (2.406")		11.0 (.433")	15.2 (.598")		11.0 (.433")		5.8 (.228")	55.5 (2.185")	13.8 (.543")
	S		52.5 (2.067")			10.9 (.429")			11.1 (.437")		6.2 (.244")			

Panel cutouts

Optimal cutout for rear mounting



Standard cutout



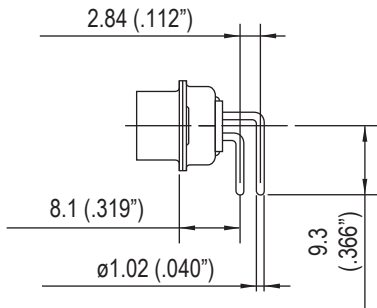
Shell size	Mounting method	A ±0.20 (±.008)	B ±0.20 (±.008)	C ±0.20 (±.008)	D ±0.20 (±.008)	E ±0.20 (±.008)	F ±0.20 (±.008)	G ±0.20 (±.008)	H ±0.20 (±.008)	J ±0.20 (±.008)
E	Front	22.2 (.874")	11.1 (.437")	25.0 (.984")	12.5 (.492")	13.0 (.512")	6.5 (.256")	3.0 (.118")	1.5 (.059")	2.1 (.083")
	Rear	20.5 (.807")	10.2 (.402")							
A	Front	30.5 (1.201")	15.3 (.602")	33.3 (1.311")	16.7 (.657")	13.0 (.512")	6.5 (.256")	3.0 (.118")	1.5 (.059")	2.1 (.083")
	Rear	28.8 (1.134")	14.4 (.567")							
B	Front	44.3 (1.744")	22.1 (.870")	47.0 (1.850")	23.5 (.925")	13.0 (.512")	6.5 (.256")	3.0 (.118")	1.5 (.059")	2.1 (.083")
	Rear	42.5 (1.673")	21.3 (.839")							
C	Front	60.7 (2.390")	30.4 (1.197")	63.5 (2.500")	31.7 (1.248")	13.0 (.512")	6.5 (.256")	3.0 (.118")	1.5 (.059")	2.1 (.083")
	Rear	59.1 (2.327")	29.5 (1.161")							
D	Front	58.3 (2.295")	29.2 (1.150")	61.1 (2.406")	30.6 (1.205")	15.8 (.622")	7.9 (.311")	3.0 (.118")	1.5 (.059")	2.1 (.083")
	Rear	56.3 (2.217")	28.2 (1.110")							

Termination

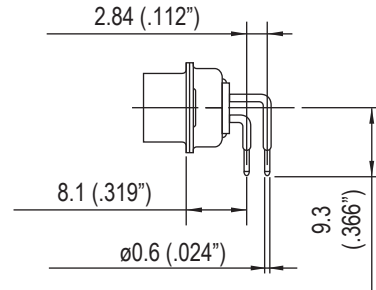
Right angle

MIL Footprint

without bracket:

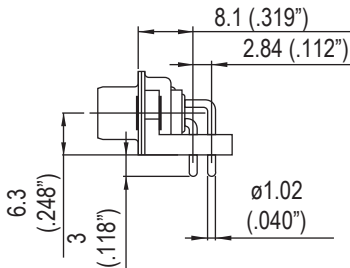


C

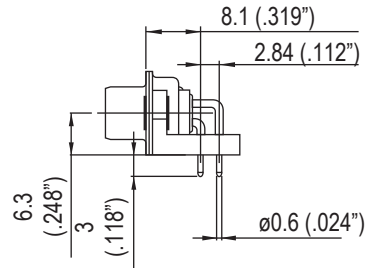


A4

plastic bracket:

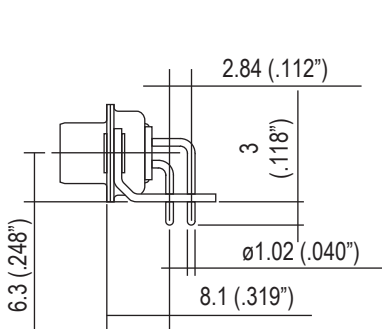


AJ3

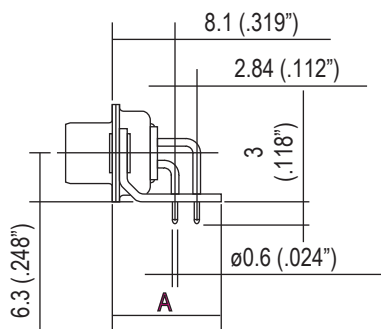


AJ4

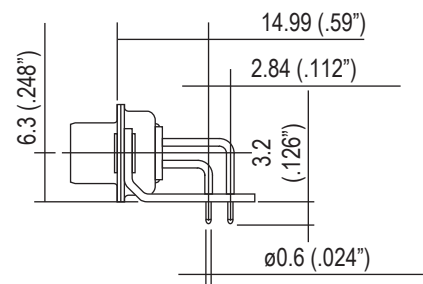
metal bracket:



A

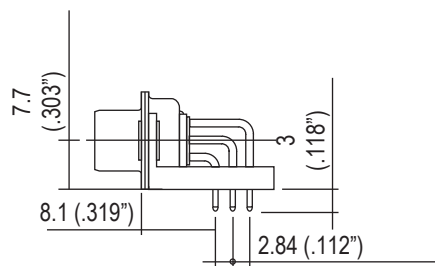


AM4: A=13.2mm
AZ4: A=11.5mm



AM4B

50 contacts:



Termination

European footprint

without bracket:



1AON: X=2.54mm
1BON: X=2.84mm

plastic bracket:

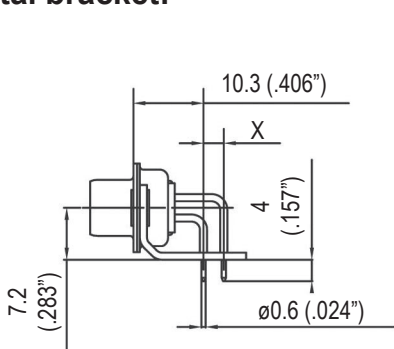


1APN: X=2.54mm
1BPN: X=2.84mm

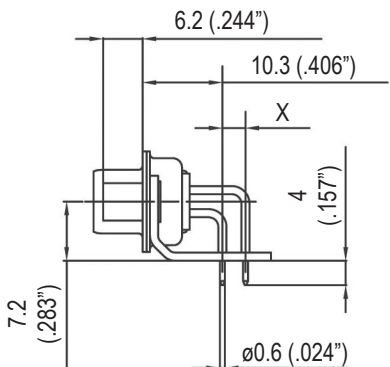


1AUN: X=2.54mm
1BUN: X=2.84mm

metal bracket:



1AMN: X=2.54mm
1BMN: X=2.84mm



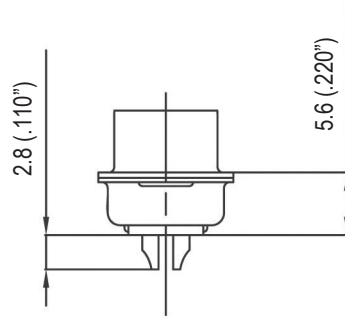
1ATN: X=2.54mm
1BTN: X=2.84mm

50 contacts:

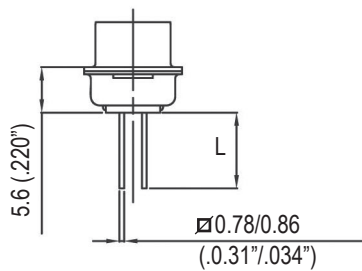


Termination

Solder Cup:

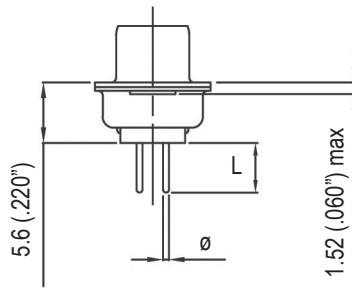


Wire Wrap:



termination	Nb of wraps	L
F179	2	9.6mm (.378")
F179A	3	13mm (.512")

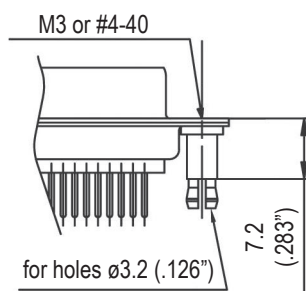
Straight PCB:



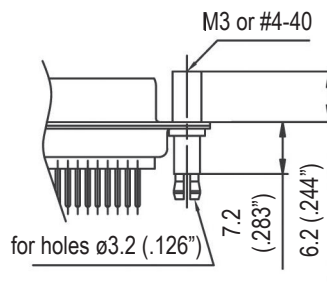
termination	\varnothing	L
U	0.6mm (.024")	3.2mm (.126")
V	1.02mm (.040")	2.4mm (.095")
T	0.6mm (.024")	4mm (.157")
OL2	0.6mm (.024")	5.5mm (.217")

Grounding tabs:

For straight termination



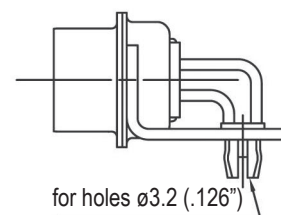
RM5



RM8

For R/A termination

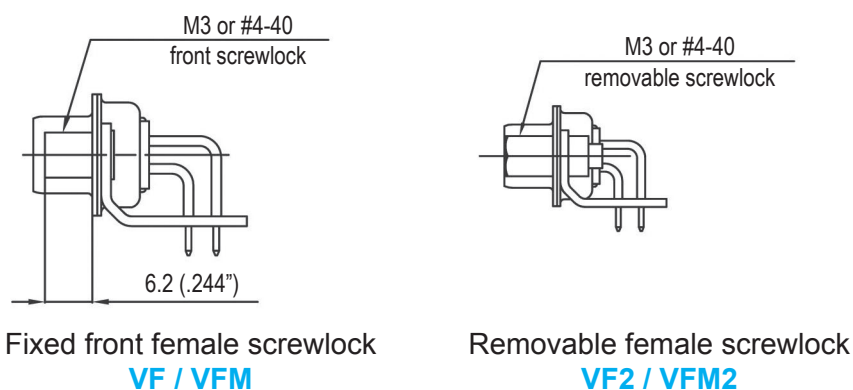
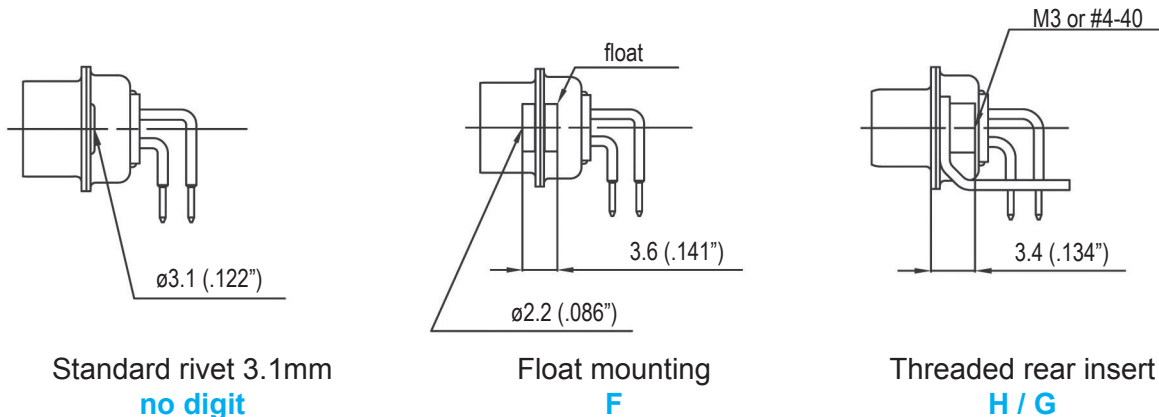
FOR PCB 1.6



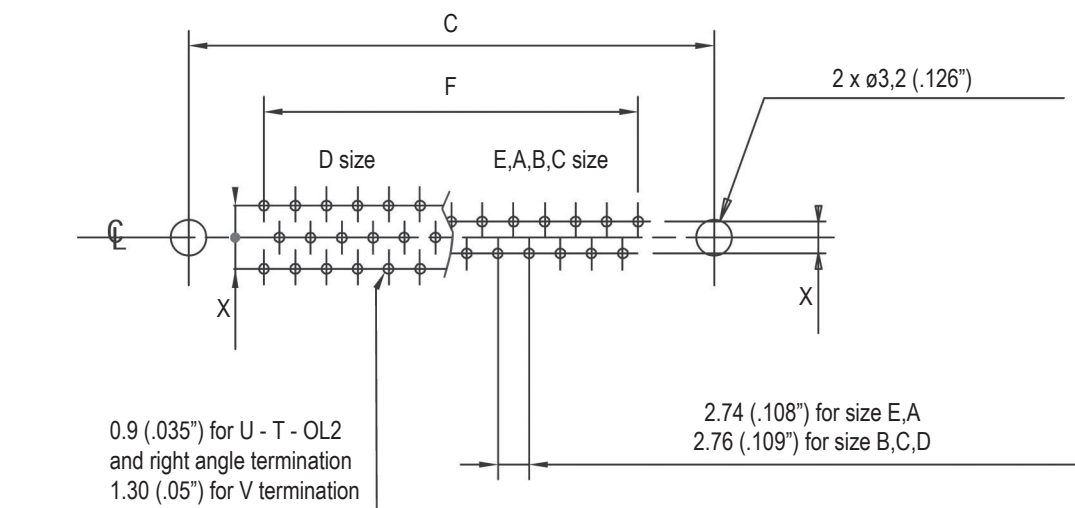
RM6

Panel mounting option

For straight and R/A termination



Recommended PCB Layout



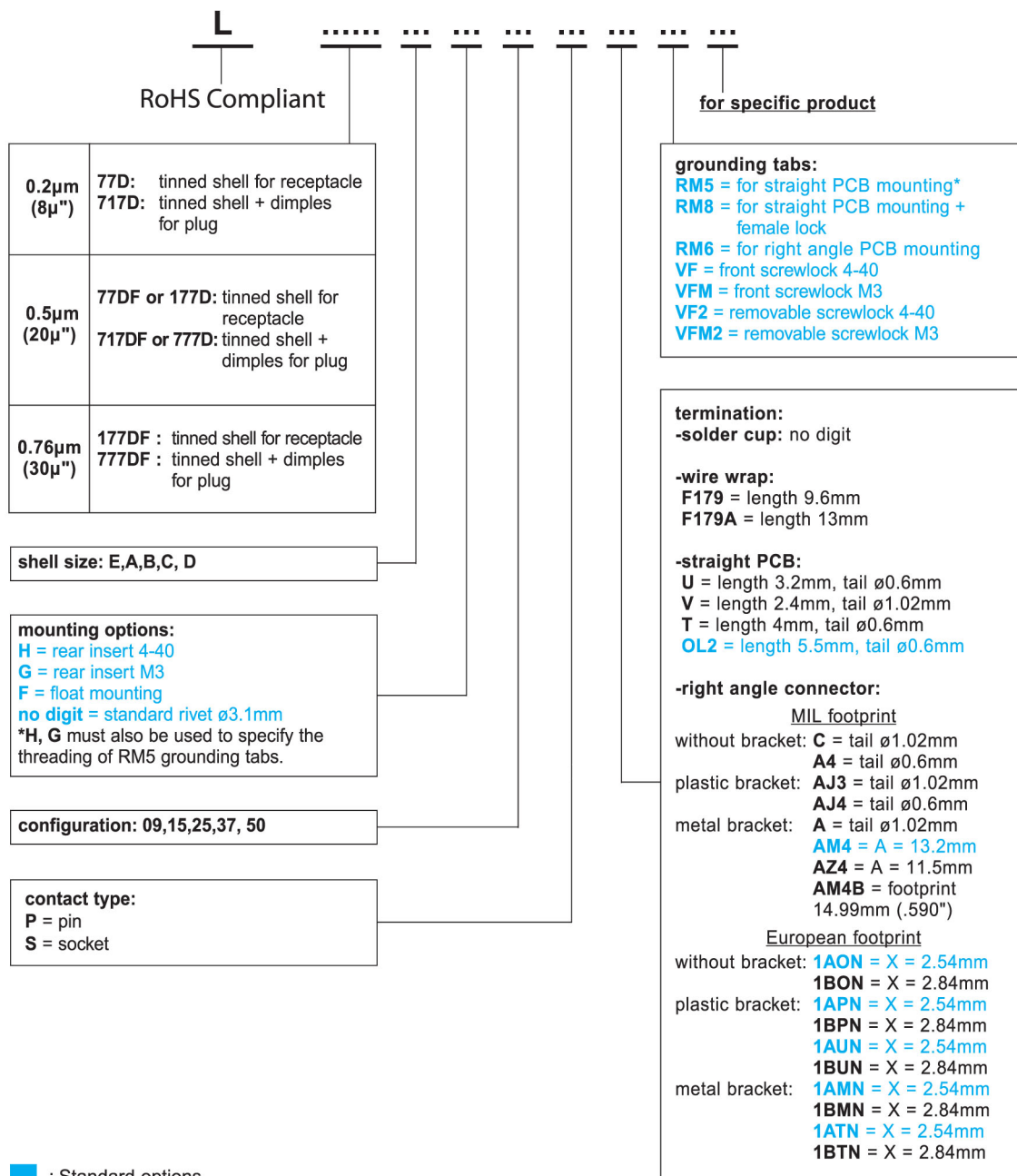
For straight PCB: X = 2.84mm (.112")

For right angle PCB: MIL: X = 2.84mm (.112")

European: X = 2.54mm (.100"), 2.84mm in option

	size E	size A	size B	size C	size D
C$\pm 0,1$ (.004)	25 (.984)	33.3 (1.311)	47 (1.85)	63.5 (2.5)	61.1 (2.406)
F$\pm 0,05$ (.002)	10.96 (.431)	19.18 (.755)	33.12 (1.304)	49.68 (1.956)	44.2 (1.74)

How to order



For special request, please consult factory

Mouser Electronics

Authorized Distributor

Click to View Pricing, Inventory, Delivery & Lifecycle Information:

Amphenol:

[L77-DE09S-U](#) [L77DDH50SU](#) [L777DFAH15PAM4](#) [L777DFE09PA4VF2](#) [L777DFAF15P](#) [L777DFEF09P](#)
[L777DFEH09POL2RM8](#) [L777DFE09PAJ4RM6VF2](#) [L777DFCH37PAM4](#) [L777DFEH09POL2RM5](#) [L777DFA15P](#)
[L777DFA15P1APN](#) [L777DFA15PC](#) [L777DFA15POL2](#) [L777DFA15PT](#) [L777DFA15PV](#) [L777DFAH15PF179](#)
[L777DFAH15POL2RM5](#) [L777DFB25P](#) [L777DFB25P1AON](#) [L777DFB25PF179](#) [L777DFB25POL2](#) [L777DFB25PV](#)
[L777DFBH25P](#) [L777DFBH25PAM4B](#) [L777DFBH25POL2RM5](#) [L777DFBH25PU](#) [L777DFC37P](#) [L777DFC37PA](#)
[L777DFC37PT](#) [L777DFC37PU](#) [L777DFC37PV](#) [L777DFCF37PU](#) [L777DFCH37PARM6](#) [L777DFCH37PU](#)
[L777DFD50P](#) [L777DFD50PU](#) [L777DFD50PV](#) [L777DFDH50P1AMN](#) [L777DFE09P](#) [L777DFE09P1AMNVF2](#)
[L777DFE09P1AON](#) [L777DFE09P1APN](#) [L777DFE09PAJ4](#) [L777DFE09POL2](#) [L777DFE09POL2RM8](#) [L777DFE09PV](#)
[L777DFEH09P](#) [L777DFEH09PAM4](#) [L777DFEH09PARM6](#) [L777DFEH09POL2](#) [L77DC37SC](#)
[L777DFB25PAJ4RM6VF2](#) [L777DFB25POL2C799](#) [L77DA15SC](#) [L77DA15S1BUNVF2](#) [L77DEH09SVF2](#)
[L77DA15SAJ4VF](#) [L77DAH15SA](#) [L77DB25SR050](#) [L77DBG25S1APN](#) [L77DBH25S1BON](#) [L77DCH37S1BON](#)
[L77DEH09SA4C265](#) [L77DBF25SC](#) [L77DB25S1BPN](#) [L77DC37SAM4BRM6](#) [L77DD50SAJ4](#) [L77DE09SAM4BRM6](#)
[L77DE09SV](#) [L77DEH09S1AMN](#) [L77DB25S1ATN](#) [L77DEG09SURM8](#) [L77DEH09S1APN](#) [L77DEH09SR209](#)
[L77DA15STR063](#) [L77DAH15SOL2](#) [L77DB25SA4](#) [L77DB25SOL2RM8](#) [L77DBH25SAM4](#) [L77DC37SF179A](#)
[L77DCG37SOL2RM5](#) [L77DCH37SF179A](#) [L77DDH50SOL2](#) [L77DE09SC309](#) [L77DA15S1BTN](#) [L77DD50SAM4B](#)
[L77DBH25SAM4BRM6](#) [L77DDG50S1AMNRM6](#) [L77DA15SAM4RM6VF2](#) [L77DB25S1AMNRM6](#)
[L77DEH09PF179RM5](#) [L77DA15S1AONVF](#) [L77DA15SV](#) [L77DB25SAJ3](#) [L77DB25SC309](#) [L77DBG25SAJ4](#)
[L77DC37S1AMN](#) [L77DC37S1APN](#) [L77DE09SOL2VF](#)