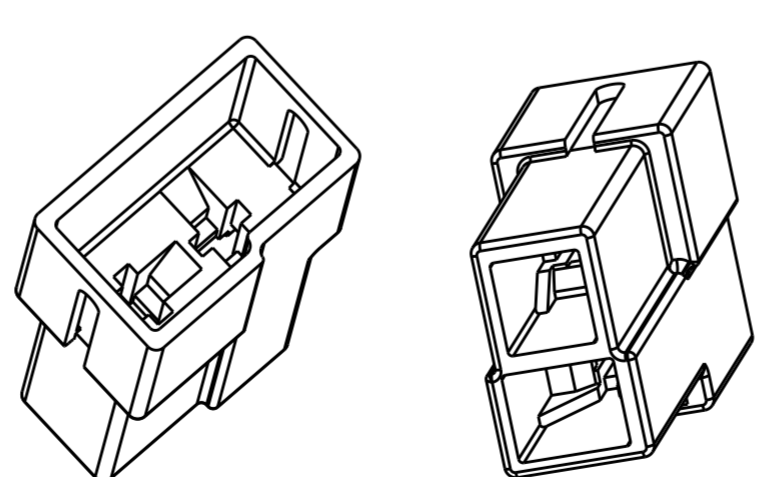
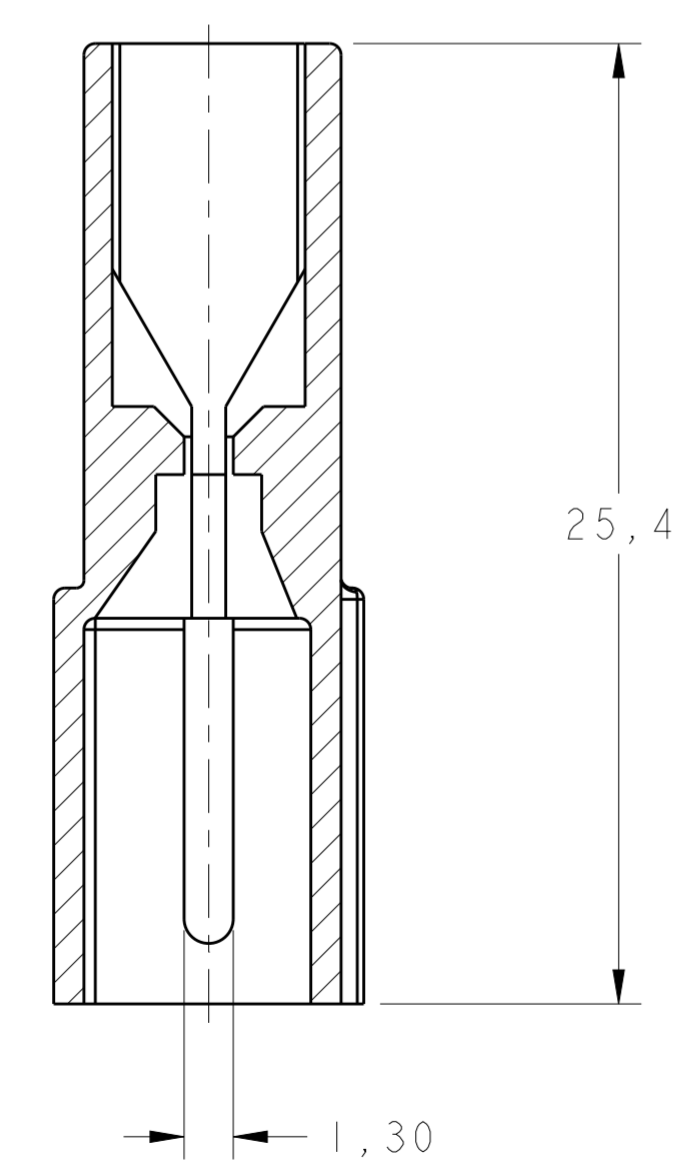
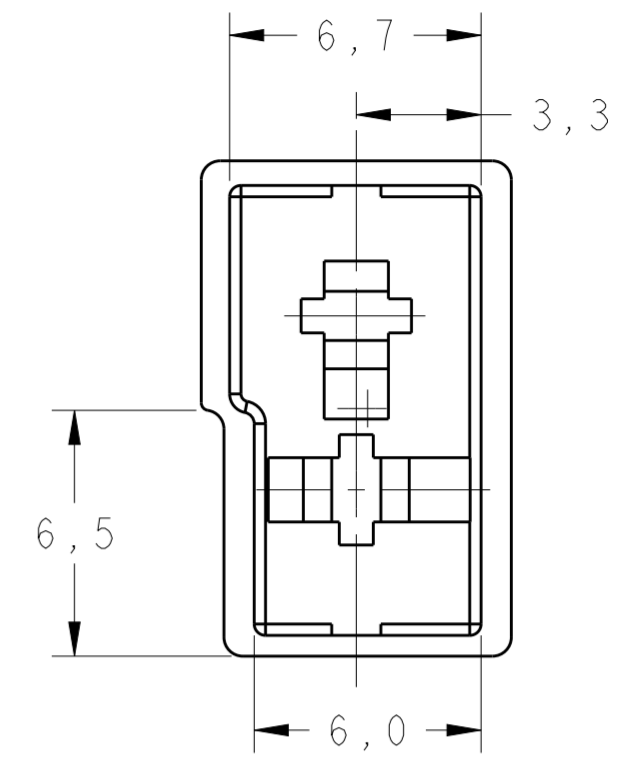
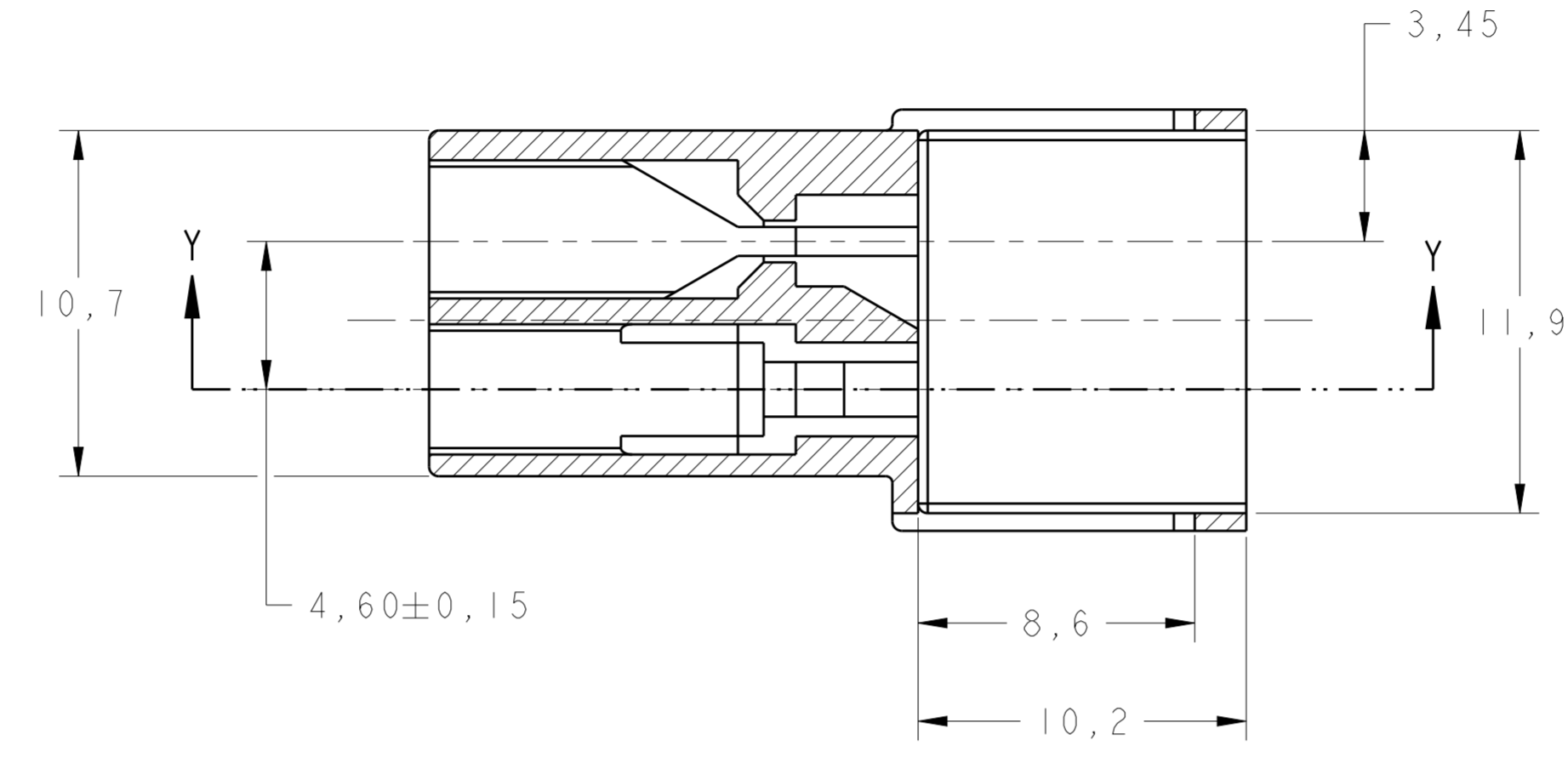
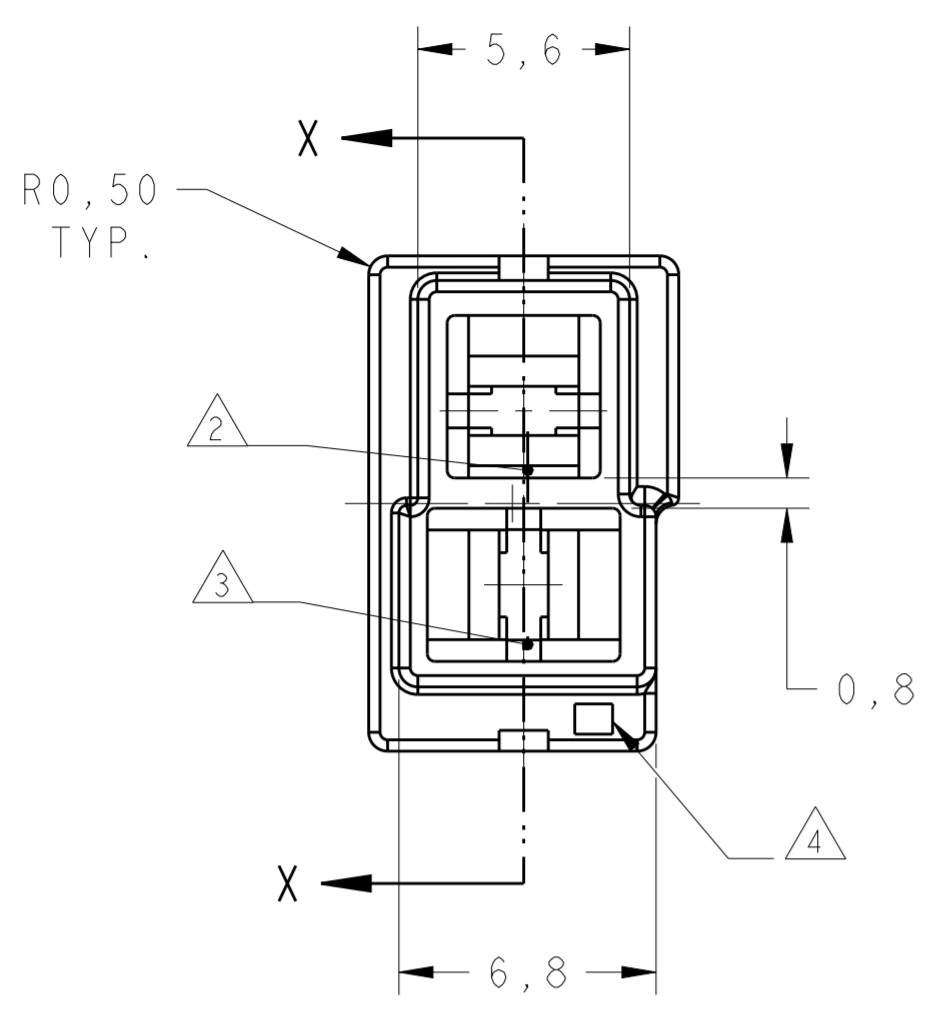


THIS DRAWING IS UNPUBLISHED. RELEASED FOR PUBLICATION 20
 © COPYRIGHT 20 BY - ALL RIGHTS RESERVED.

creo
 CreoParametri2.0
DO NOT REVERSE EXCEPT BY CAD

REVISIONS					
P	LTR	DESCRIPTION	DATE	DWN	APVD
M		REVISED DESIGN ECO-14-005638	16APR2014	NCL	GOJ
M1		REVISED DRAWING ECO-14-012763	16OCT2014	NCL	DAO
M2		REV. BY ECO 14-019128	09JAN2015	HC	WLS



PERSPECTIVE VIEW
 SCALE 3:1

- △1- MATERIA PRIMA CONFORME ESPECIF. IEC 60335-1
 GWT 750° C, SEM CHAMAS.
 - RAW MATERIAL ACC. TO SPEC 60335-1
 GWT 750° C, WITHOUT FRAME.
- △2- CIRCUITO 1-SOMENTE PARA REFERENCIA.
 - CIRCUIT 1- FOR REFERENCE ONLY.
- △3- CIRCUITO 2- SOMENTE PARA REFERENCIA.
 - CIRCUIT 2- FOR REFERENCE ONLY.
- △4- NÚMERO DA CAVIDADE DO MOLDE.
 - MOLD CAVITY NUMBER.
- △5- OBSOLETE PARTS: OBSOLETE CIS STREAMLINING
 PER D.RENAUD/D.SINISI

6-WORK BETTER WHEN USED WITH
 TAB PN-881719 OR PN-880638.

FINISH	MATERIAL	PART NUMBER
NATURAL	PA6.6 V-0	△1 1-626065 -2
NATURAL	PA6.6-ZYTEL 103 HSL	△5 1-626065 -1
NATURAL	PBT V-0	△5 1-626065 -0
ORANGE	POLIAMIDA 6.6	△5 626065 -9
VIOLET	POLIAMIDA 6.6	△5 626065 -8
GRAY	POLIAMIDA 6.6	△5 626065 -7
BROWN	POLIAMIDA 6.6	△5 626065 -6
BLACK	POLIAMIDA 6.6	626065 -5
YELLOW	POLIAMIDA 6.6	△5 626065 -4
BLUE	POLIAMIDA 6.6	△5 626065 -3
GREEN	POLIAMIDA 6.6	△5 626065 -2
RED	POLIAMIDA 6.6	△5 626065 -1
NATURAL	POLIAMIDA 6.6	626065 -0

THIS DRAWING IS A CONTROLLED DOCUMENT.

DIMENSIONS: mm	TOLERANCES UNLESS OTHERWISE SPECIFIED: 0 PLC ±0,2 1 PLC ±0,3 2 PLC ± 3 PLC ± 4 PLC ± ANGLES ±30' FINISH	DWN NCLAPRESA 18FEB2011 CHK JRGOLDSCHIMDT 18FEB2011 APVD MBGODOY 18FEB2011	TE Connectivity	
MATERIAL SEE TABLE		PRODUCT SPEC APPLICATION SPEC WEIGHT	NAME - HOUSING 2 POSN., FASTIN-ON .110 TAB	
		Customer Drawing	SIZE A2 CAGE CODE 00779 DRAWING NO C-626065	RESTRICTED TO
			SCALE 5:1	SHEET 1 OF 1 REV M2

Mouser Electronics

Authorized Distributor

Click to View Pricing, Inventory, Delivery & Lifecycle Information:

[TE Connectivity:](#)

[626065](#)