

4

3

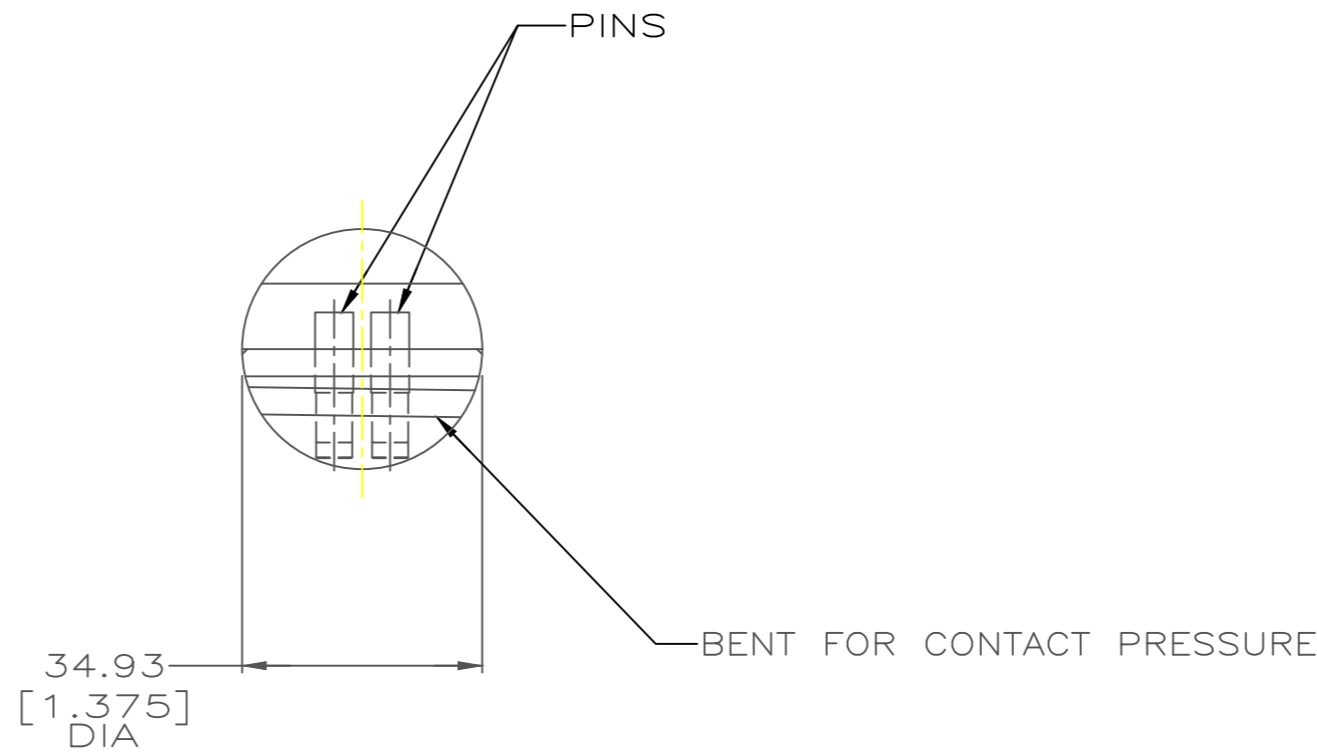
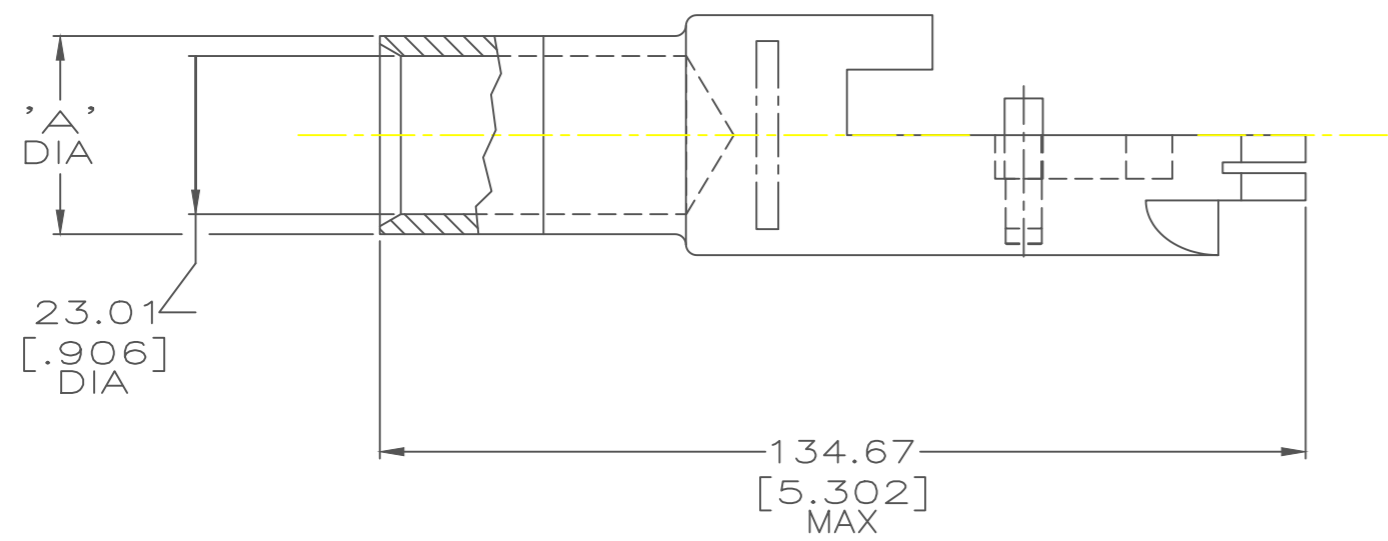
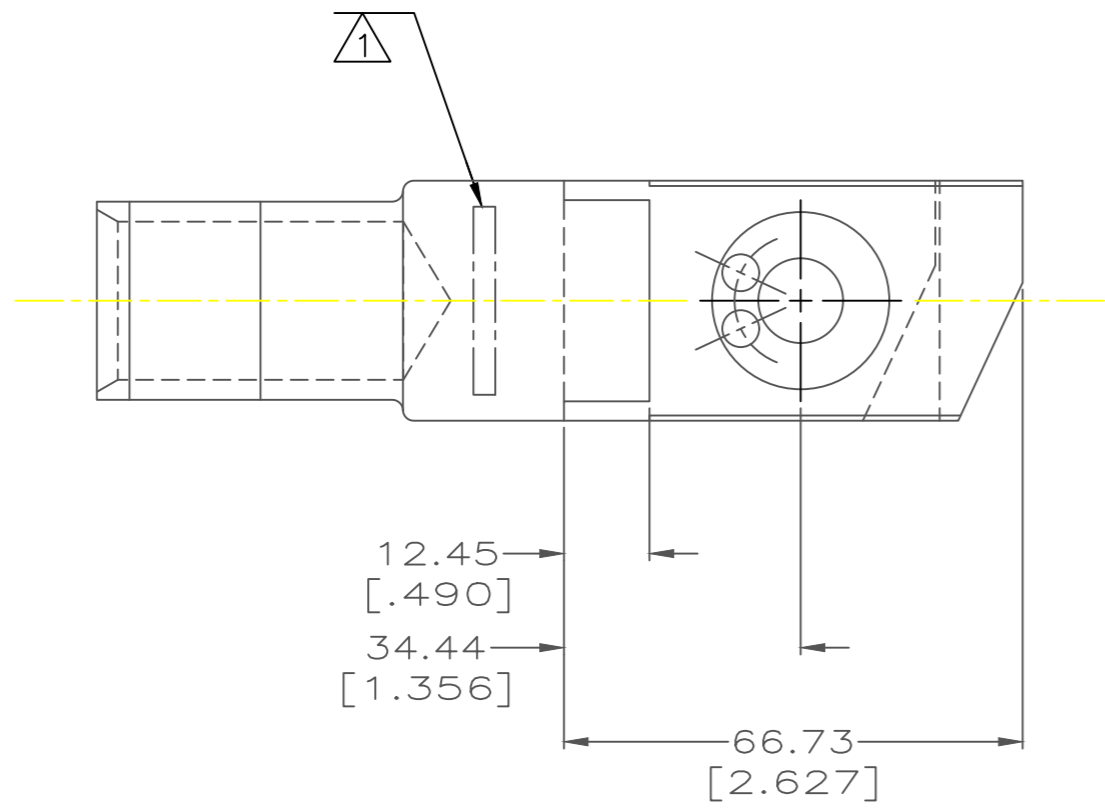
2

1

THIS DRAWING IS UNPUBLISHED. RELEASED FOR PUBLICATION
 © COPYRIGHT 19 BY AMP INCORPORATED. ALL RIGHTS RESERVED.

LOC	DIST	REVISIONS					
G	86	P	LTR	DESCRIPTION	DATE	DWN	APVD
		D		Add N in the stamp note 1	11OCT2017	LG	MV

Ⓧ ⚠ STAMP AMP 400 MCM N 1100/24 APPROX AS SHOWN



30.48 [1.200]	53434-2
28.83 [1.135]	53434-1
'A'	AMP PART NUMBER

THIS DRAWING IS A CONTROLLED DOCUMENT FOR AMP INCORPORATED. IF IT IS SUBJECT TO CHANGE AND THE CONTROLLING ENGINEERING ORGANIZATION SHOULD BE CONTACTED FOR THE LATEST REVISION.		DWN	DK SCHRUM	14JUN96	AMP AMP Incorporated Harrisburg, PA 17105-3608
DIMENSIONS: mm[INCHES]		CHK	WJ VOCKROTH	25JUN96	
TOLERANCES UNLESS OTHERWISE SPECIFIED: 0 PLC ±- 1 PLC ±- 2 PLC ±0.20[.008] 3 PLC ±- 4 PLC ±- ANGLES ±-		APVD	JL MECKLEY	25JUN96	NAME PRODUCT SPEC 108-13014 APPLICATION SPEC
MATERIAL BODY & PINS BRASS PER QQ-B-626		FINISH SILVER PL 0.00127[.000050] MIN THK PER QQ-S-365		WEIGHT	SIZE A2 CAGE CODE 00779 DRAWING NO G=53434 SCALE 1:1
CUSTOMER DRAWING				SHEET	1 OF 1 REV D

53434

A

Mouser Electronics

Authorized Distributor

Click to View Pricing, Inventory, Delivery & Lifecycle Information:

[TE Connectivity:](#)

[53434-1](#)