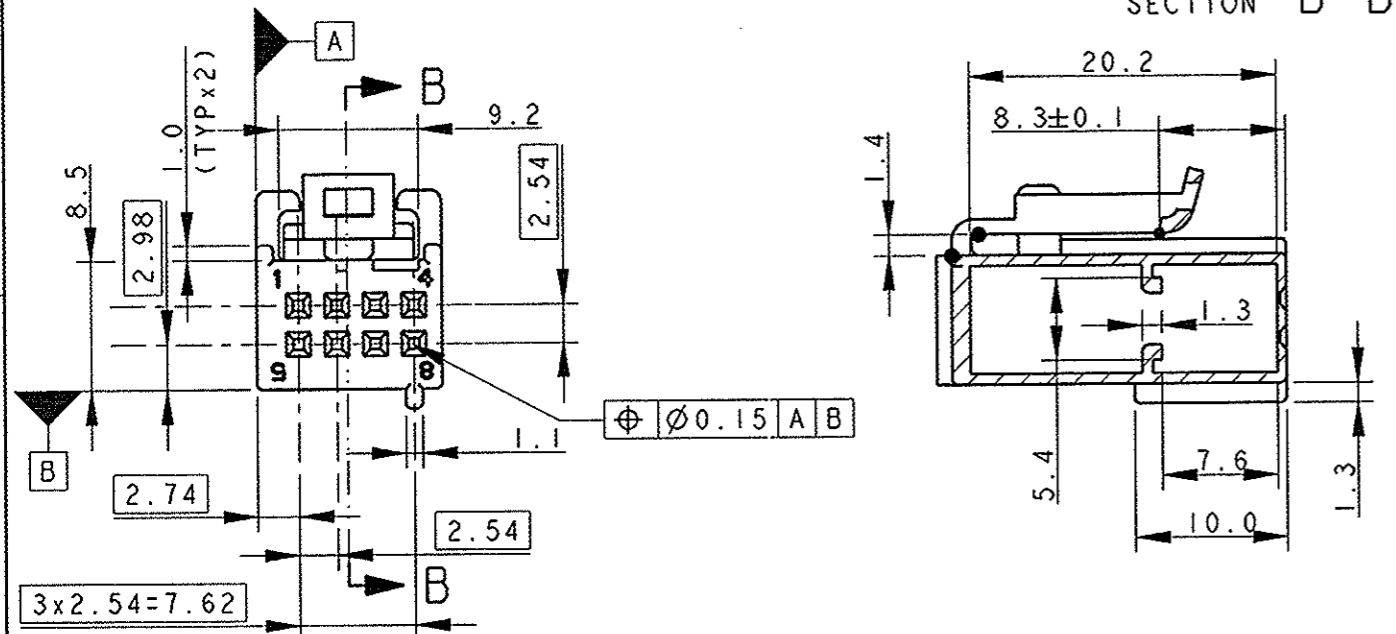
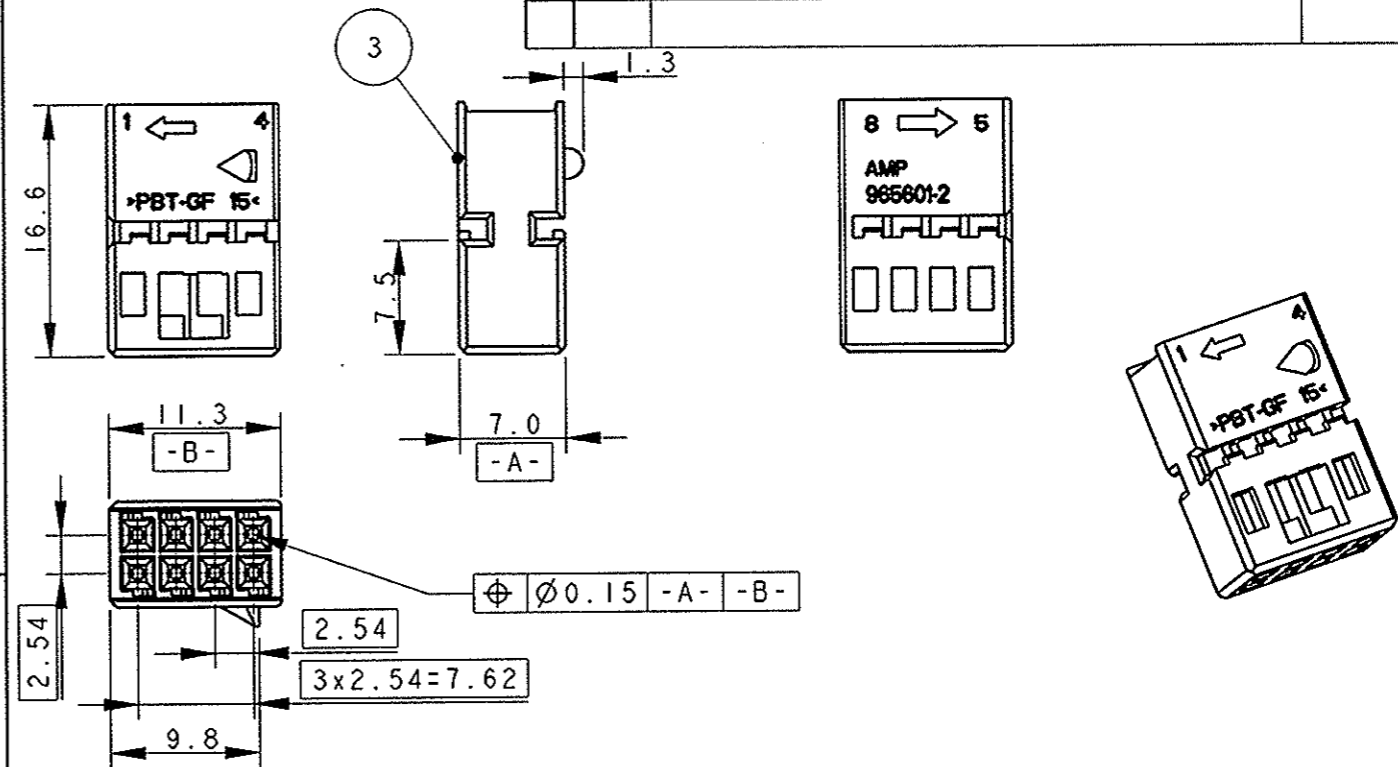


LOC	DIST	P	LTR	DESCRIPTION	DATE	DWN	APVD
1	-			OBSOLETE PARTS 1745000-1 AND -2			
		B		WITH ECR-07-013163	11 JUN 2007	M.P.	R.M.

LOCKING COVER FOR KIT P/N 1745000-3 AS SHOWN

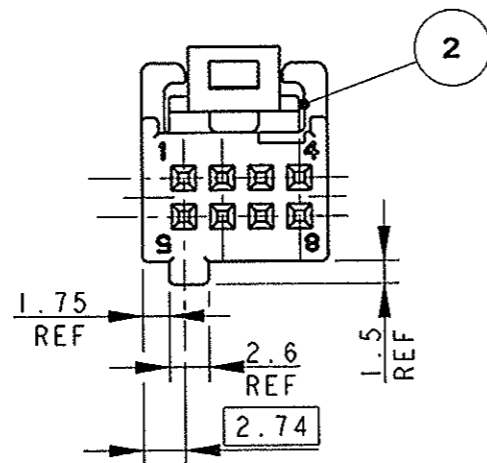
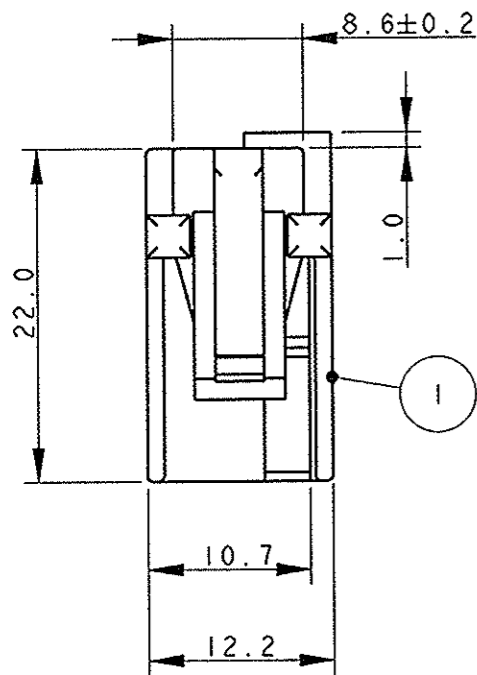


HOUSING P/N 965601-2 FOR KIT P/N 1745000-3 AND -4.



LOCKING COVER FOR KIT P/N 1745000-4

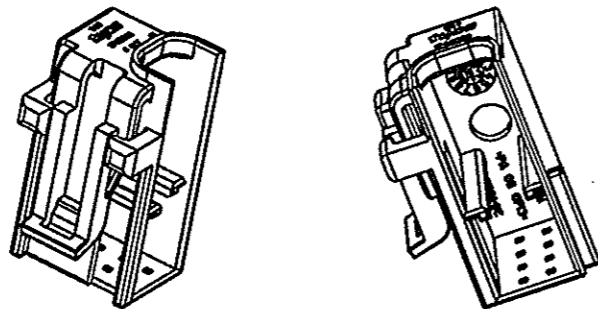
PER NOTE E DIMENSIONI MANCANTI VEDERE COVER PER KIT P/N 1745000-3 (FOR MISSING NOTES AND DIMENSIONS SEE LOCKING COVER FOR KIT P/N 1745000-3)



- 1) CAVITA' ADATTA PER CONTATTO MOS P/N 928999-... E P/N 963715-... (CAVITY SUITABLE FOR MOS CONTACT P/N 928999-... AND P/N 963715-...)
- 2) PER IL DISEGNO DELLA CONTROPARTE VEDERE FOGLIO 2 DI 2 (FOR COUNTERPART DETAIL SEE SHEET 2 OF 2)
- 3) STATO DI FORNITURA: I DUE COMPONENTI SONO VENDUTI IN KIT, IN PARI QUANTITA' NELLA STESSA SCATOLA (SUPPLYING CONDITION: TWO COMPONENTS ARE SOLD IN KIT, SAME QUANTITY IN THE SAME CARTON BOX)

REV.	REV.	ITEM	DESCRIZIONE (DESCRIPTION)	COLORE (COLOUR)	MATERIALE (MATERIAL)
		3	BLOCCHETTO PORTAFEMMINE (SOCKET HOUSING)	NERO (BLACK)	PBT GF
		2	CORAZZA (LOCKING COVER)	GRIGIO (GRAY)	PA 6.6 GF
		1	CORAZZA (LOCKING COVER)	NERO (BLACK)	PA 6.6 GF
-4	-3				
REV. A	REV. A	ITEM	DESCRIZIONE (DESCRIPTION)	COLORE (COLOUR)	MATERIALE (MATERIAL)
P/N 1745000					

PROPOSAL NO. WAS:
KIT 02-51261



THIS DRAWING IS A CONTROLLED DOCUMENT FOR TYCO ELECTRONICS CORPORATION. IT IS SUBJECT TO CHANGE AND THE CONTROLLING ENGINEERING ORGANIZATION SHOULD BE CONTACTED FOR THE LATEST REVISION.

DWN: M. PALMA, CHK: R. MARTINI, APVD: A. GENTA, NAME: A. GENTA

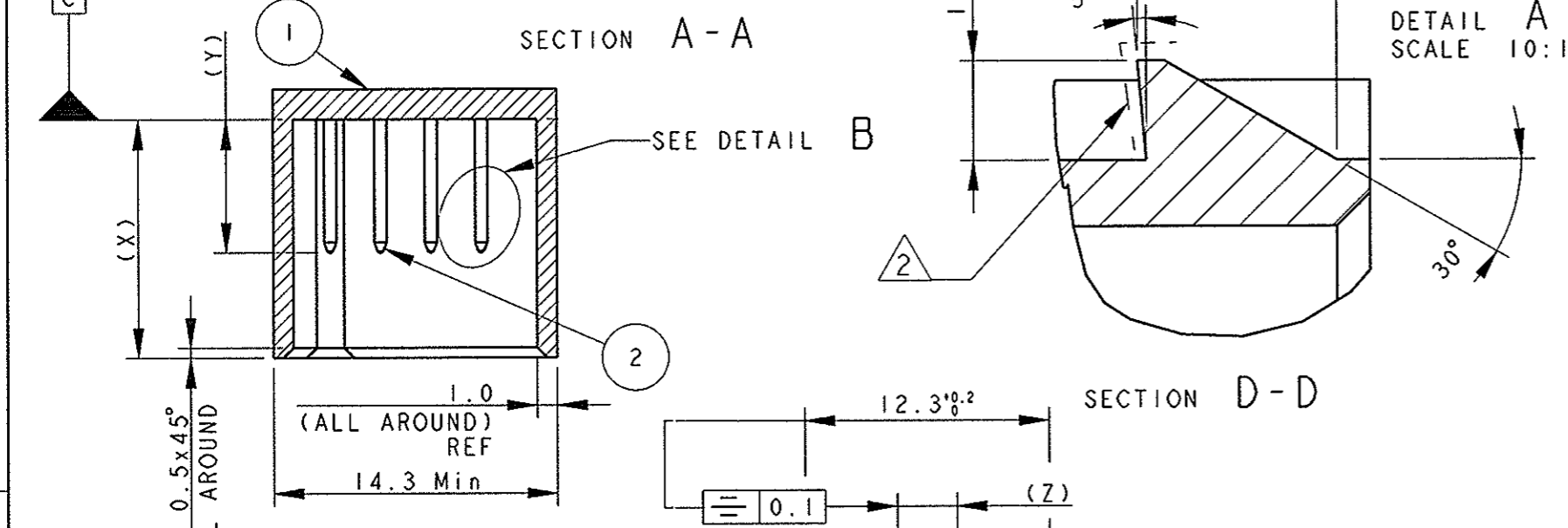
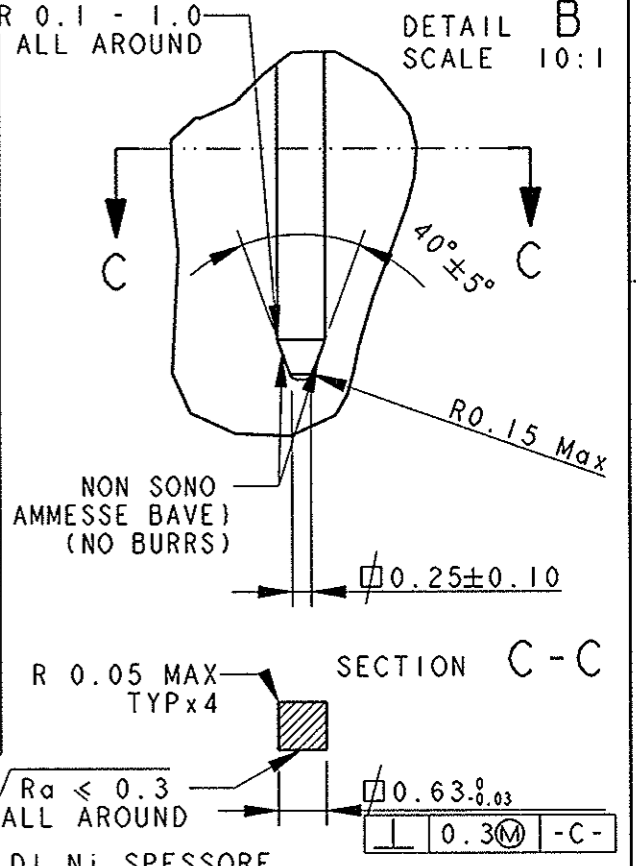
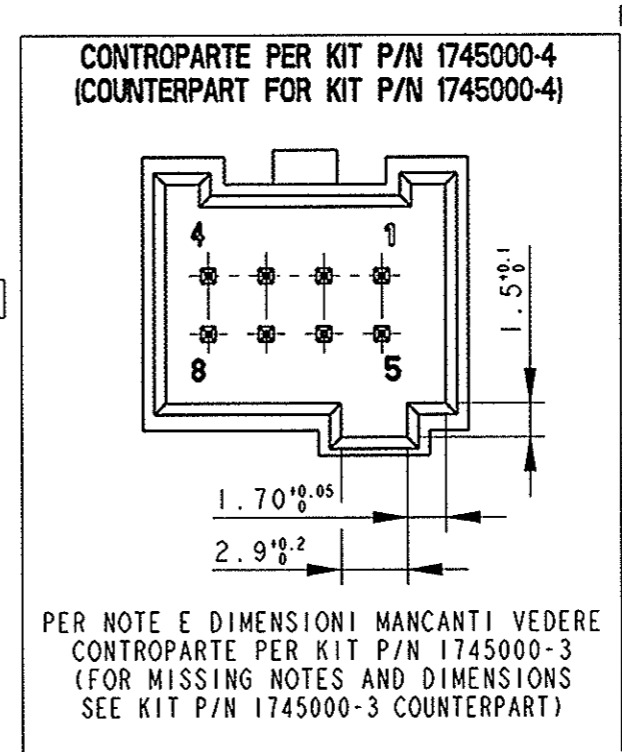
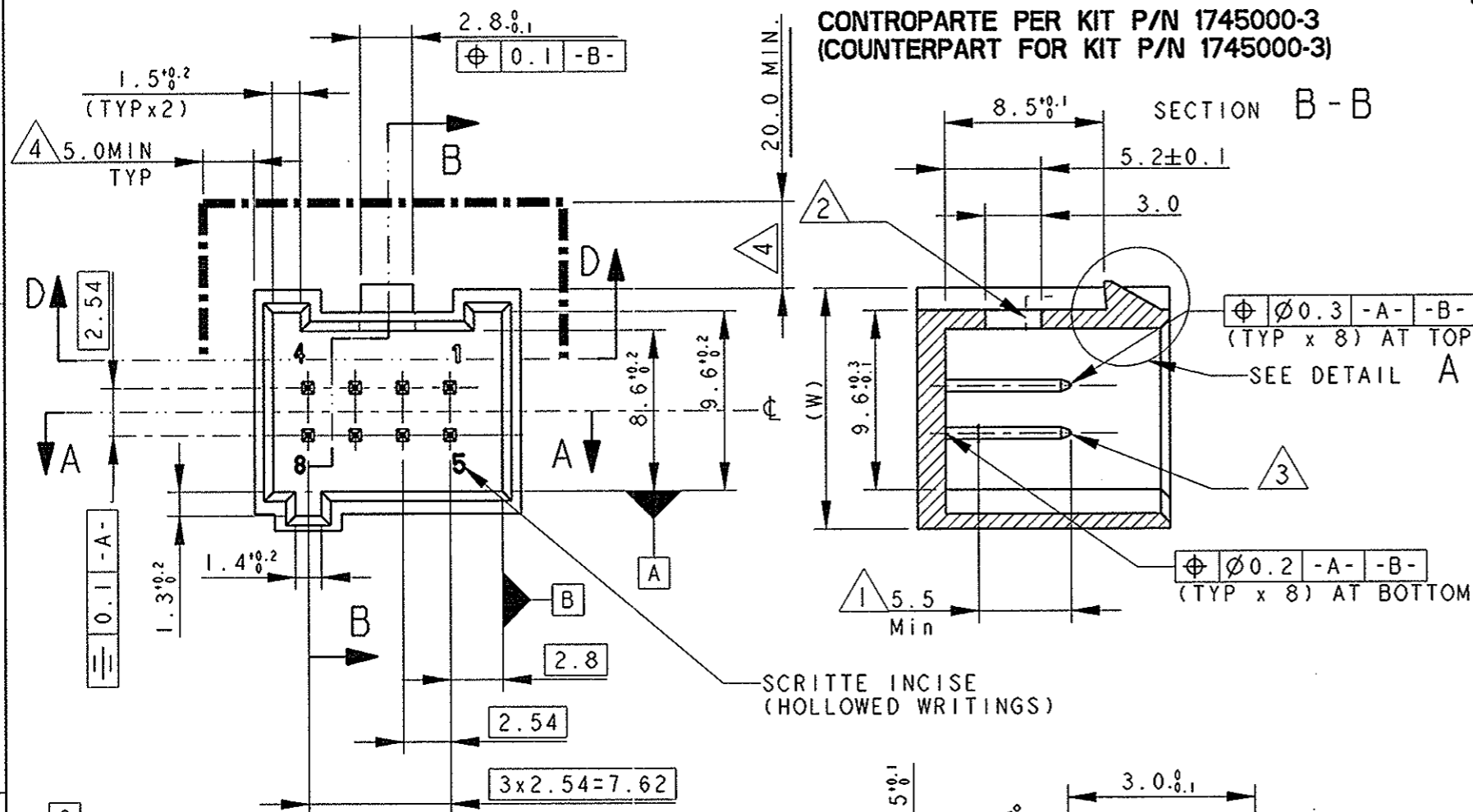
tyco Electronics AMP Italia S.p.A. C.so F.lli Cervi 15 Collegno (TO)

PRODUCT SPEC: 108-20245, APPLICATION SPEC: 114-18021, WEIGHT: -

SIZE: A3, CAGE CODE: 00779, DRAWING NO: C=1745000, RESTRICTED TO: -

CUSTOMER DRAWING, SCALE: 3:1, SHEET: 1 OF 2, REV: B

LOC	DIST	REVISIONS					
1	-	P	LTR	DESCRIPTION	DATE	DWN	APVD
				SEE SHEET 1			



- 1 1-3 µm Sn CON SOTTOSTRATO DI Ni SPESSORE 1.3-2.2 µm (1 µm TO 3 µm Sn OVER 1.3 µm TO 2.2 µm Ni)
- 2 IN QUEST'AREA AMMESSO 0.05 mm MAX DI BAVA (IN THIS AREA 0.05 mm MAX FLASH ADMITTED)
- 3 FORZA DI RITENZIONE DEL SINGOLO CONTATTO 40N min. (SINGLE PIN CONTACT RETENTION FORCE 40N min)
- 4 AREA DA PREVEDERE LIBERA PER UN CORRETTO ACCOPPIAMENTO/ DISACCOPIAMENTO DEL CONNETTORE SULLA DIMA THIS AREA MUST BE FREE FOR A CORRECT CONNECTOR MATING / UNMATING ONTO RELEVANT COUNTERPART.

REF. (REF.)	DIMENSIONI VALIDE PER DIME NUOVE (THESE DIMENSIONS MUST BE CONSIDERED FOR NEW COUNTERPARTS)	DIMENSIONI ACCETTABILI SU DIME ESISTENTI (ACCEPTABLE DIMENSIONS FOR EXISTING COUNTERPARTS)
X	12.0±0.2	12.5±0.3
Y	6.7 ^{+0.3} _{-0.1}	8.0 ⁰ _{-0.5}
W	12.9±0.2	14.4 REF.
Z	3.0 ^{+0.2} ₀	2.5 ^{+0.2} ₀

DIMENSIONS: mm		TOLERANCES UNLESS OTHERWISE SPECIFIED:	
		0 PLC ±-	1 PLC ±0.1
		2 PLC ±0.05	3 PLC ±-
		4 PLC ±-	ANGLES ±°
MATERIAL -		FINISH -	

1	OTTONE (BRASS)	CONTATTO (TAB)	2
----	PA 6.6 CARICATO VETRO (PA 6.6 GLASSFIBER FILLED)	BLOCCHETTO (HOUSING)	1
FINITURA (FINISH)	MATERIALE (MATERIAL)	DESCRIZIONE (DESCRIPTION)	ITEM No.

DWN M. PALMA 13DEC2002
 CHK R. MARTINI 13DEC2002
 APVD A. GENTA 13DEC2002
 NAME A. GENTA
 PRODUCT SPEC -
 APPLICATION SPEC -
 WEIGHT -
 CUSTOMER DRAWING

tyco Electronics
 AMP Italia S.p.A.
 C.so F.lli Cervi 15 Collegno (TO)

SOCKET CONNECTOR, 8 POSITIONS KIT FOR MICRO QUADLOK SYSTEM CONTACT

SIZE	CAGE CODE	DRAWING NO	RESTRICTED TO
A3	00779	C-1745000	-

SCALE 3:1 SHEET 2 OF 2 REV B

Mouser Electronics

Authorized Distributor

Click to View Pricing, Inventory, Delivery & Lifecycle Information:

[TE Connectivity:](#)

[1745000-3](#)