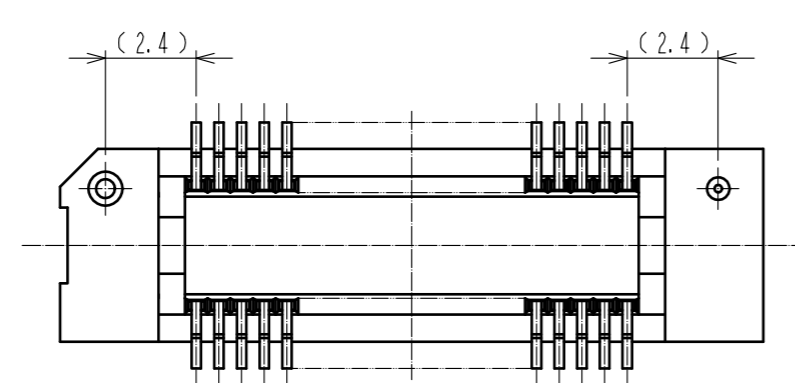
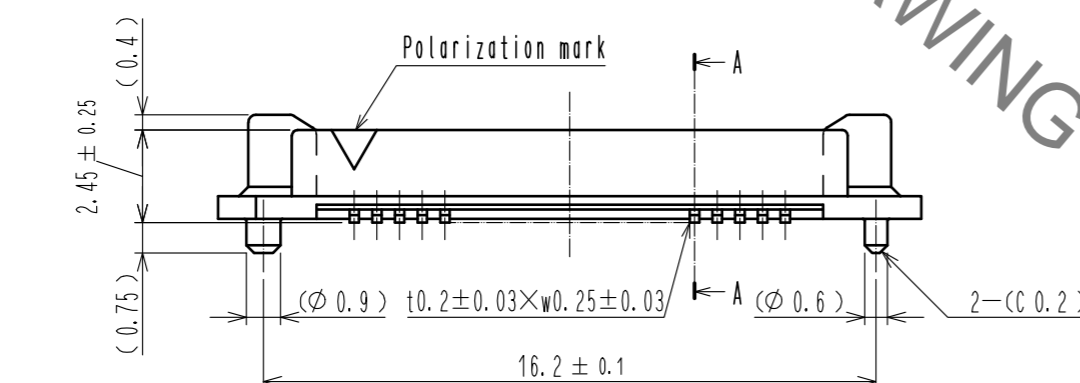
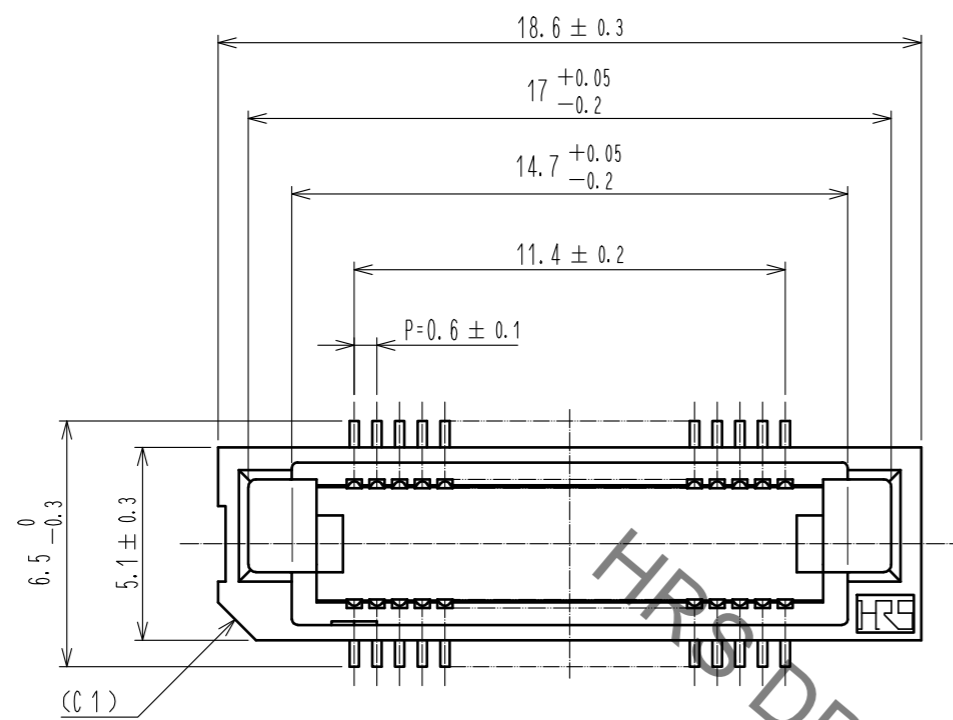
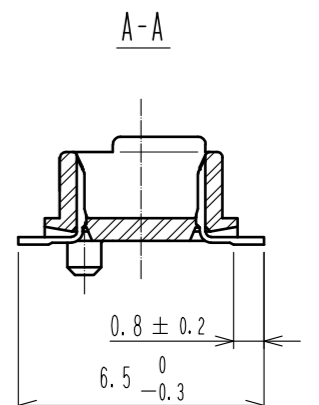
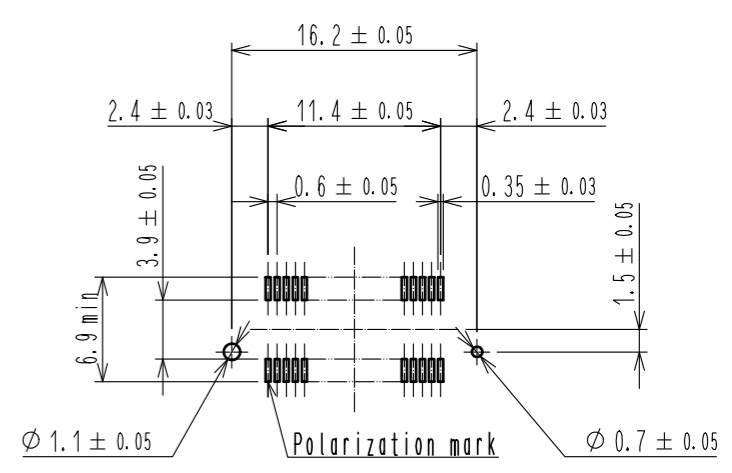


Sep.1.2020 Copyright 2020 HIROSE ELECTRIC CO., LTD. All Rights Reserved.
In case of consideration for using Automotive equipment / device which demand high reliability, kindly contact our sales window correspondents.



Recommended land pattern dimension of PCB (mounting side) (2:1)

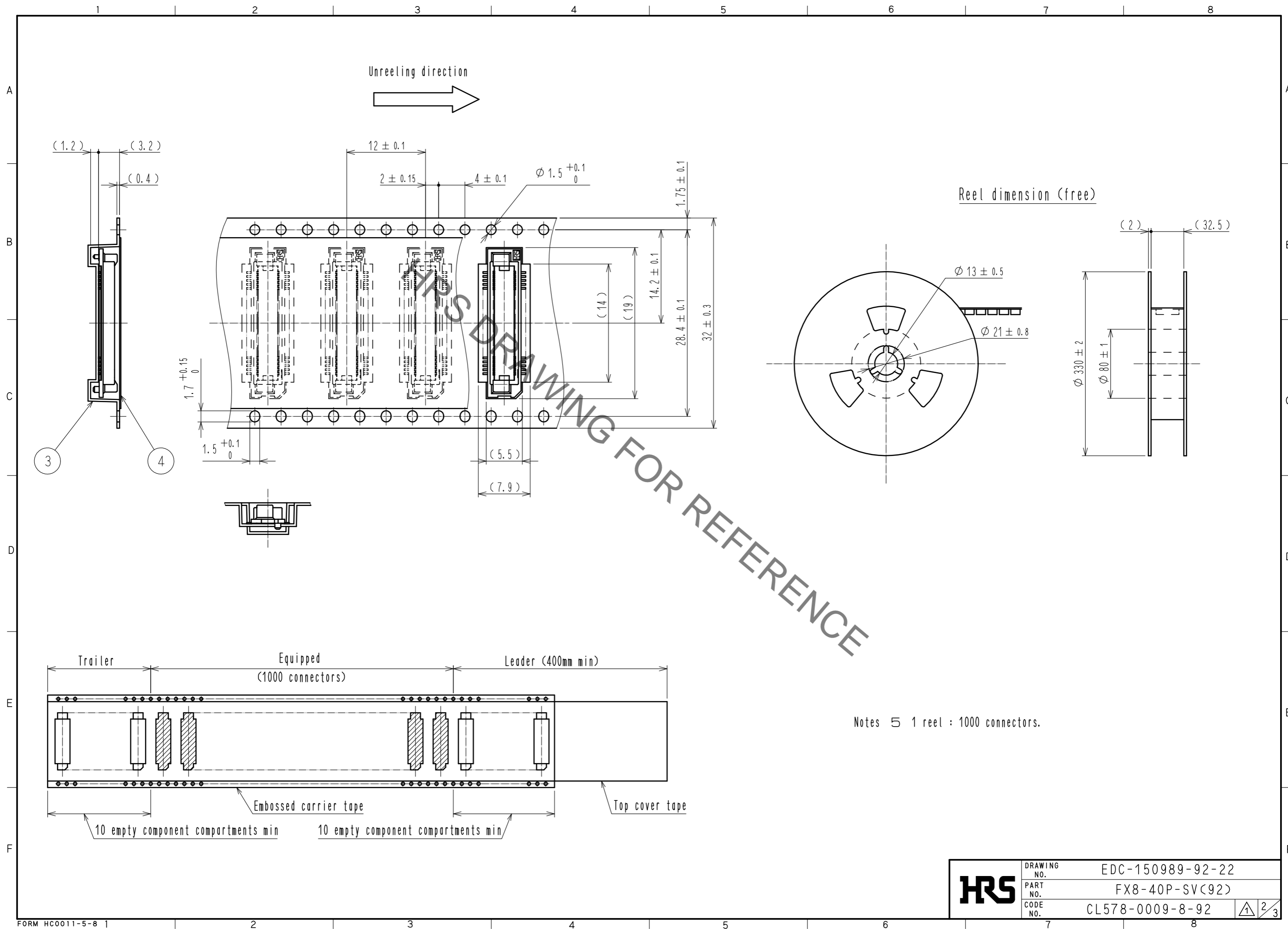


- Notes
- 1 Lead CO-PLANARITY shall be 0.1mm max.
 - 2 Embossed carrier tape packaging shall be applied to this product. See next page for details.
 - 3 For modification, etc., preventive hole for sink mark may be added according to circumstances.
 - 4 The dimensions in parentheses are for reference.

2	PHOSPHOR BRONZE	Contact area : Gold 0.1µm min.	4	POLYESTER	(Top cover tape)		
		Lead area : Gold flash					
		Under plating : Nickel 1µm min.	3	POLYSTYRENE	(Embossed carrier tape)		
1	PPS	Light brown (UL94V-0)					
NO.	MATERIAL	FINISH . REMARKS	NO.	MATERIAL	FINISH . REMARKS		
UNITS	⊕	SCALE	COUNT	DESCRIPTION OF REVISIONS	DESIGNED	CHECKED	DATE
mm		5 : 1	1	DIS-F-00006410	KS. NAKAJIMA	HT. YAMAGUCHI	20200803
HRS HIROSE ELECTRIC CO., LTD.		APPROVED : HS. OKAWA	20060404	DRAWING NO. EDC-150989-92-22			
		CHECKED : HS. OZAWA	20060404	PART NO. FX8-40P-SV(92)			
		DESIGNED : TK. YANAGISAWA	20060403	CODE NO. CL578-0009-8-92			
		DRAWN : TK. YANAGISAWA	20060403			1/3	

Added precaution

Sep.1.2020 Copyright 2020 HIROSE ELECTRIC CO., LTD. All Rights Reserved.
 In case of consideration for using Automotive equipment / device which demand high reliability, kindly contact our sales window correspondents.



HRS	DRAWING NO.	EDC-150989-92-22
	PART NO.	FX8-40P-SV(92)
	CODE NO.	CL578-0009-8-92
		2/3

In case of consideration for using Automotive equipment / device which demand high reliability, kindly contact our sales window correspondents.

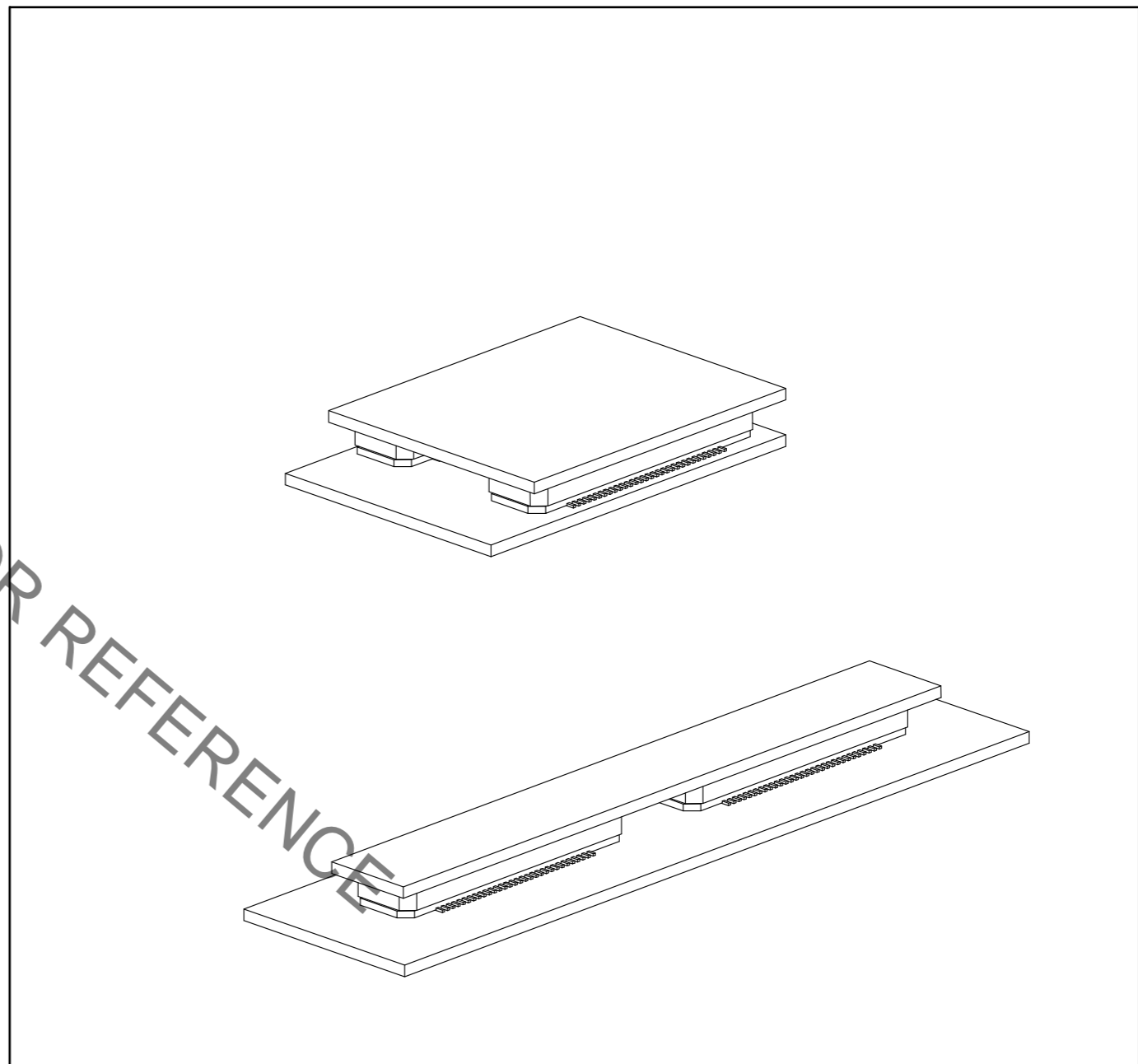
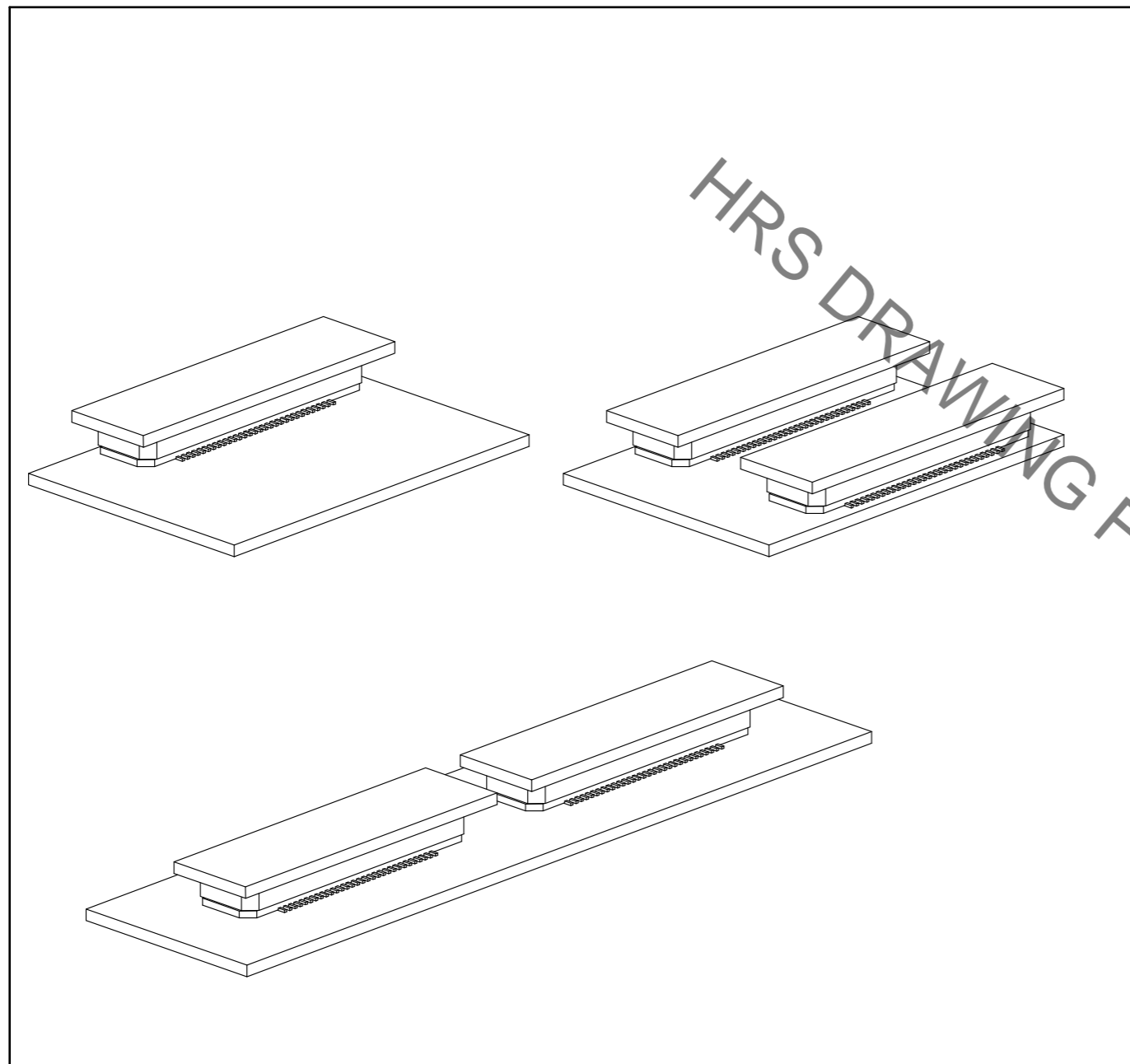
Sep.1.2020 Copyright 2020 HIROSE ELECTRIC CO., LTD. All Rights Reserved.

【 Precaution 】

When a board with multiple connectors mounted is mated, the connector may be damaged or deformed.
Please divide one side of the board so only one connector is mated per board.

OK

NG



HRS DRAWING FOR REFERENCE

HRS	DRAWING NO.	EDC-150989-92-22
	PART NO.	FX8-40P-SV(92)
	CODE NO.	CL578-0009-8-92
		3/3