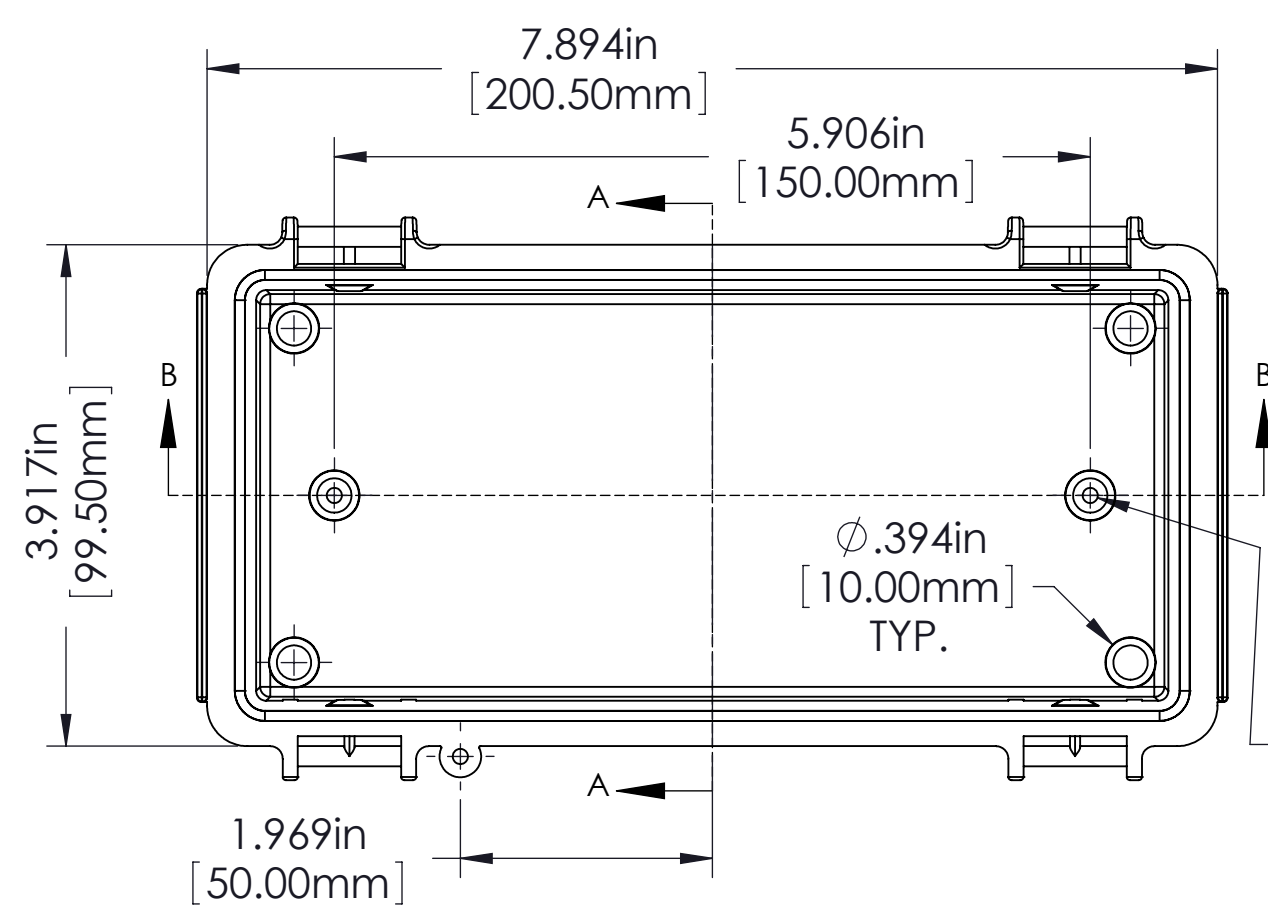


MATERIAL	FLAMMABILITY RATING	CONTINUOUS OPERATING TEMP.
ABS	UL94-HB	-40°C ~ +60°C / -40°F ~ 140°F
CLEAR PC	UL94-V0 UV STABILIZED	-40°C ~ +130°C / -40°F ~ 266°F
ABS / PC BLEND	UL94-5VA	-40°C ~ +85°C / -40°F ~ 185°F
PBT / PC BLEND	UL94-5VA + UV (f1)	-40°C ~ +75°C / -40°F ~ 167°F

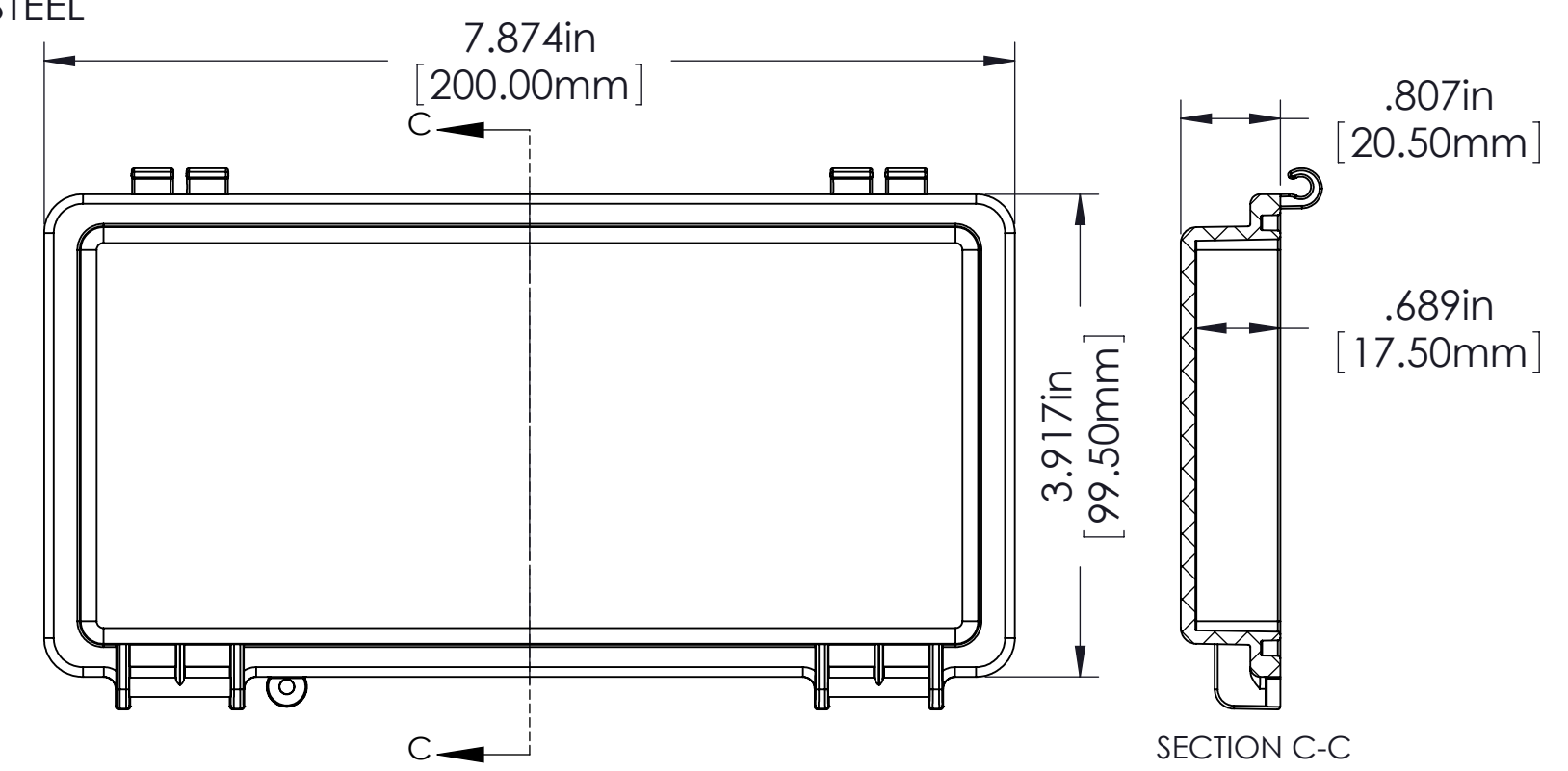
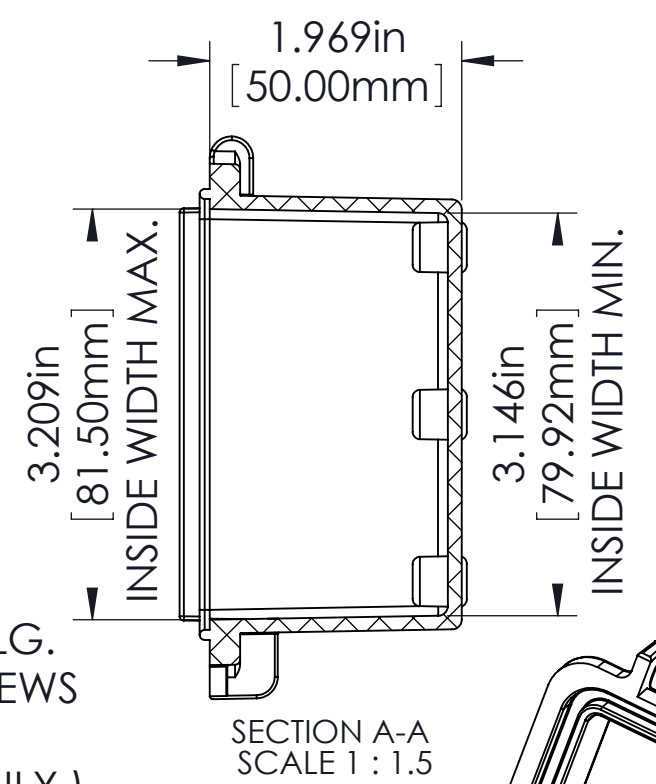
FINISH:
 BODY _____ LIGHT GRAY
 COVER _____ LIGHT GRAY OR CLEAR
 LATCHES & HINGES _____ PLASTIC
 WALL MOUNTING BRACKETS _____ STAINLESS STEEL
 & HARDWARE

COVER

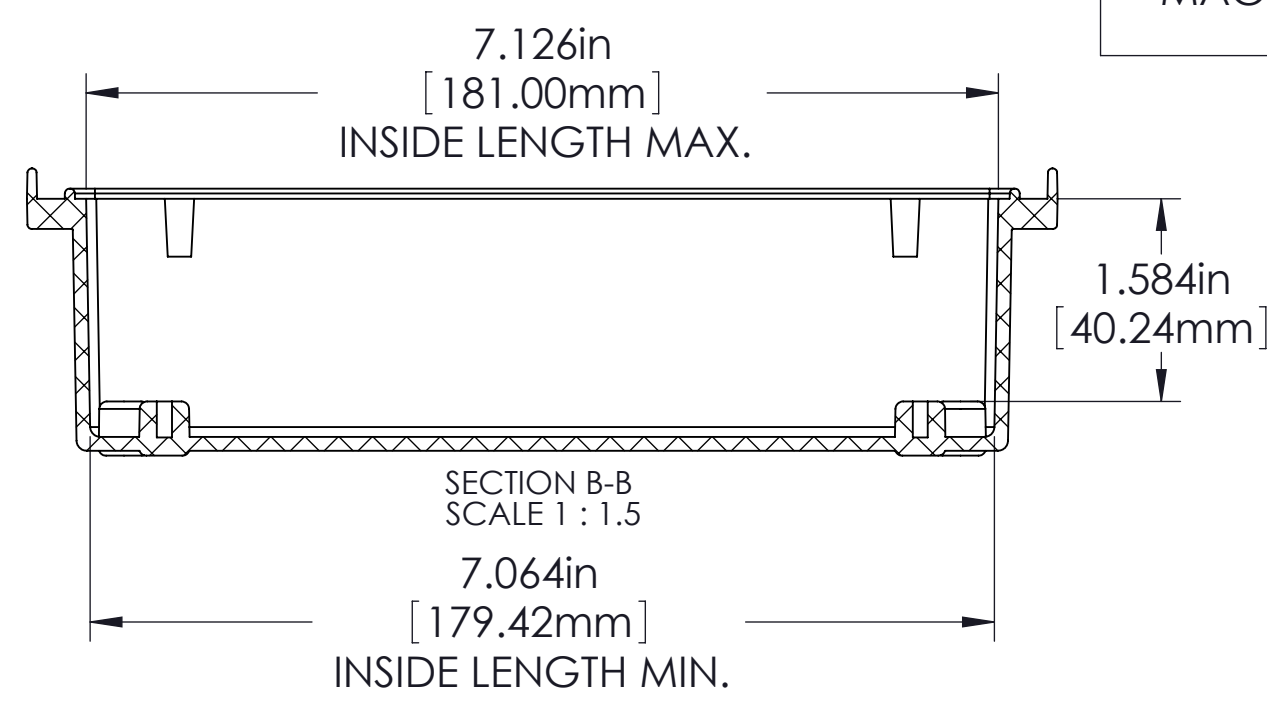


BODY

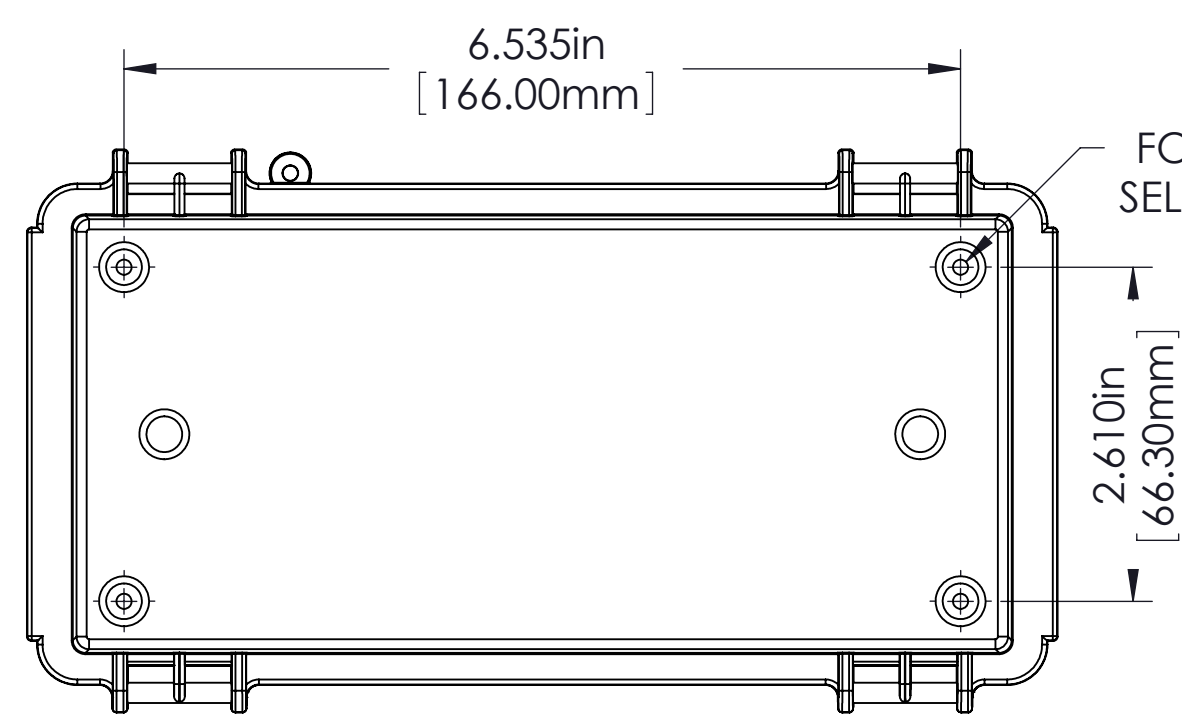
ϕ .118in [3.00mm]
 FOR M4 x 10mm LG. SELF-TAPPING SCREWS
 2 PLCS.
 (ABS VERSIONS ONLY)
 M4 THREADED INSERTS
 ON ALL OTHER VERSIONS
 USE M4 x 8mm LG. MACHINE SCREWS.
 2 PLCS.



SECTION C-C

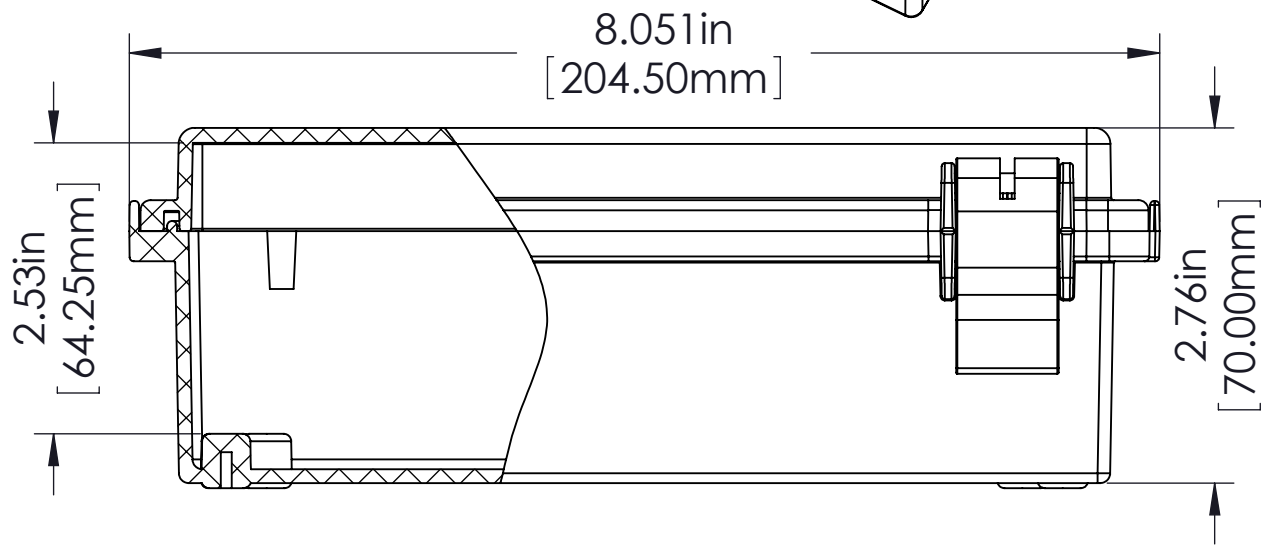
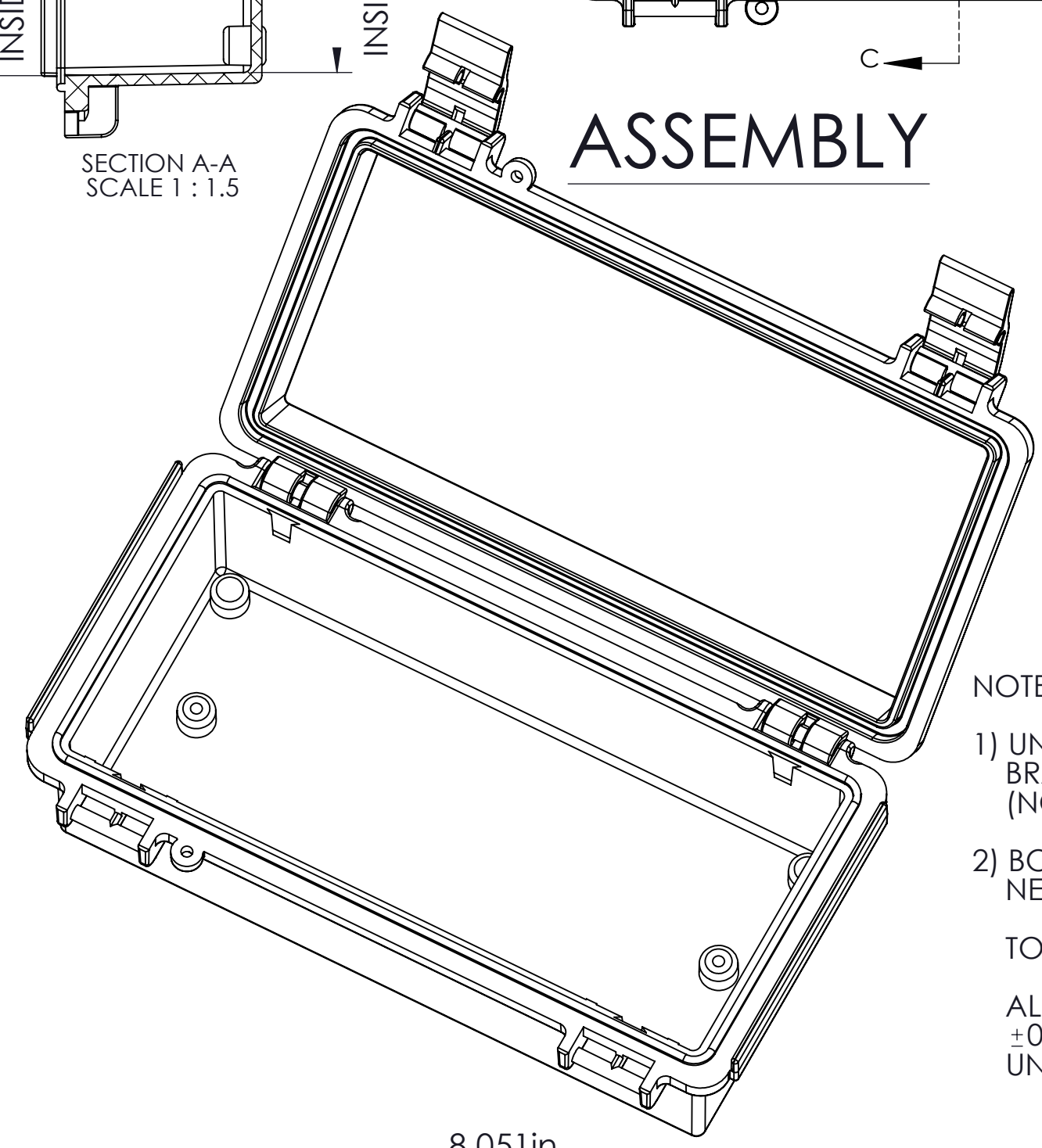


SECTION B-B
SCALE 1 : 1.5



ϕ .118in [3.00mm]
 FOR M4 x 10mm LG. SELF-TAPPING SCREWS
 4 PLCS.

ASSEMBLY



NOTES:

- 1) UNIT COMES COMPLETE WITH (4) WALL MOUNTING BRACKETS & (4) M4 x 10mm LG. SELF-TAPPING SCREWS. (NOT SHOWN)
- 2) BOXES DESIGNED TO MEET FOLLOWING STANDARDS: NEMA 1,2,4,4X AND IEC529-IP65 REQUIREMENTS.

TOLERANCES:

ALL DIMENSIONS HAVE ± 0.039 in. [± 1 mm] TOLERANCE UNLESS OTHERWISE SPECIFIED.

PART NO.	MATERIAL		USE
	BODY	COVER	
NBF-32006	ABS	ABS	INDOOR
NBF-32106	ABS / PC	ABS / PC	INDOOR
NBF-32206	ABS / PC	CLEAR PC	INDOOR
NBF-32306	PBT / PC	PBT / PC	OUTDOOR
NBF-32406	PBT / PC	CLEAR PC	OUTDOOR

Mouser Electronics

Authorized Distributor

Click to View Pricing, Inventory, Delivery & Lifecycle Information:

[Bud Industries:](#)

[NBF-32106](#) [NBF-32206](#)