

THIS DRAWING IS UNPUBLISHED.

RELEASED FOR PUBLICATION

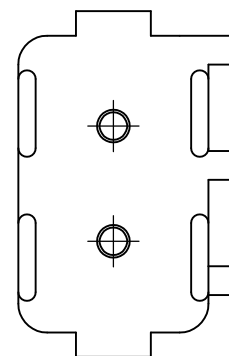
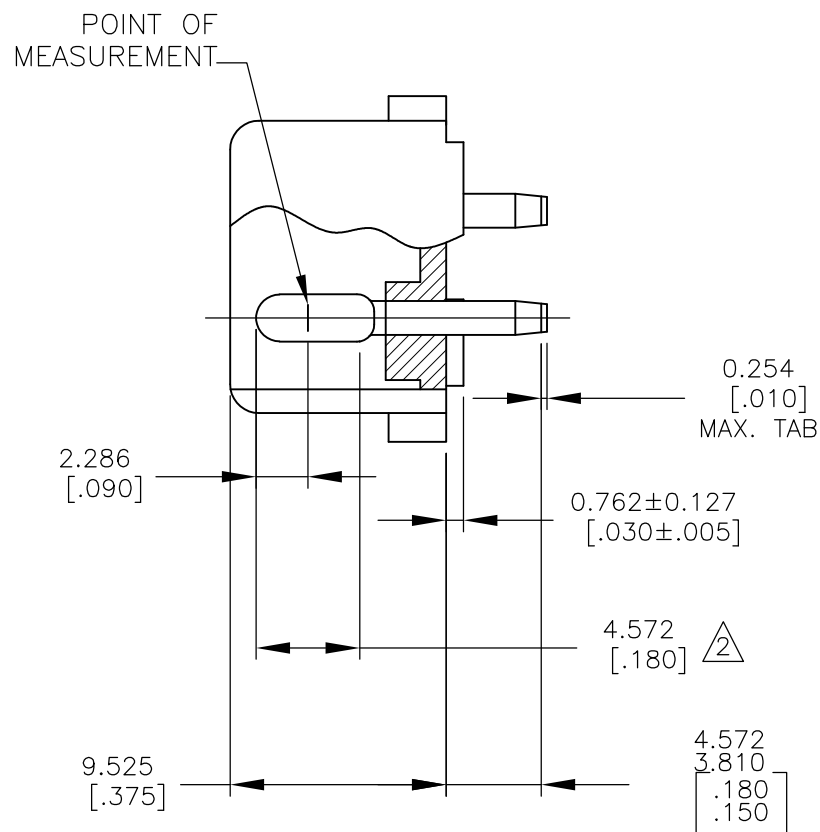
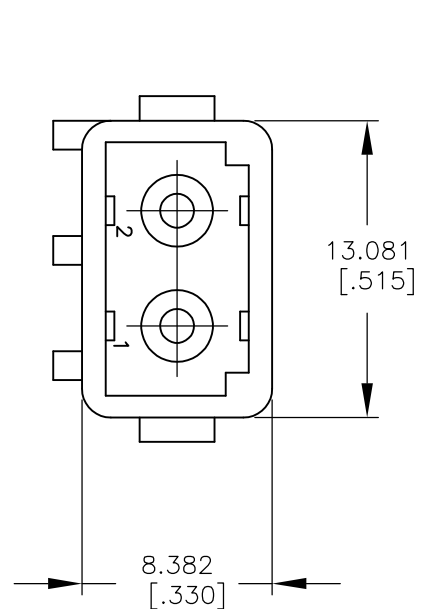
ALL RIGHTS RESERVED.

© COPYRIGHT 1586512y -

LOC CM DIST 00

REVISIONS

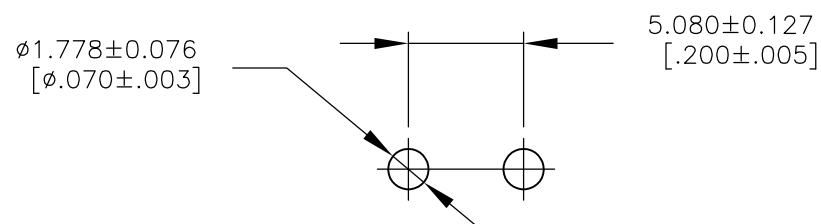
P	LTR	DESCRIPTION	DATE	DWN	APVD
	A	ECR-13-014791	19SEP2013	KKB	RRP



1. PARTS MUST COMPLY WITH SOLDERABILITY SPEC. 109-11-3.

2 CONTACT IS PLATED OVERALL WITH .000050 NICKEL, THEN .000030 GOLD OVER CONTACT LENGTH INDICATED AND MATTE TIN ON SOLDER TAIL END.

3 PRELIMINARY PART NOT RELEASED FOR PRODUCTION.



RECOMMENDED LAYOUT FOR 1.575 [.062] THICK P.C. BOARD

METRIC

1586512-3	NYLON-NAT VO.	COPPER ALLOY-GOLD
1586512-2	NYLON-NAT.	COPPER ALLOY-GOLD
ASSEMBLY NO.	HSG, MATL& COLOR	PIN MATL & FINISH

THIS DRAWING IS A CONTROLLED DOCUMENT.		DWN RAGHU 06OCT2005	STE TE Connectivity	
DIMENSIONS: mm [INCHES]		CHK D.COLEY 19SEP2013		
TOLERANCES UNLESS OTHERWISE SPECIFIED:		APVD D.COLEY 06OCT2005	NAME 2 CIRCUIT COMMERCIAL MATE-N-LOK (TM) HEADER	
0 PLC ± -		PRODUCT SPEC -	APPLICATION SPEC -	
1 PLC ± -		WEIGHT -	SIZE A3	CAGE CODE 00779
2 PLC ± -		DRAWING NO C-1586512		RESTRICTED TO -
3 PLC ± -		CUSTOMER DRAWING		
4 PLC ± -		SCALE 3:1	SHEET 1 OF 1	REV A
ANGLES ± -				
MATERIAL SEE TABLE				
FINISH SEE TABLE				

Mouser Electronics

Authorized Distributor

Click to View Pricing, Inventory, Delivery & Lifecycle Information:

[TE Connectivity:](#)

[1586512-2](#)