

4

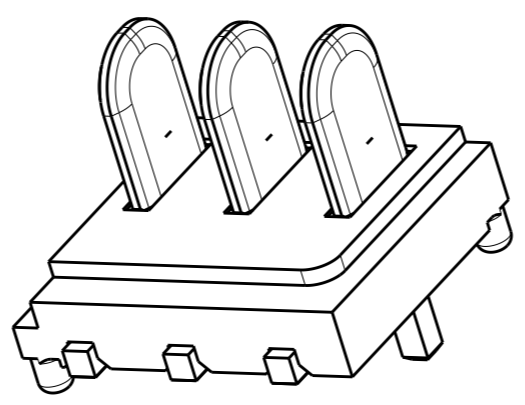
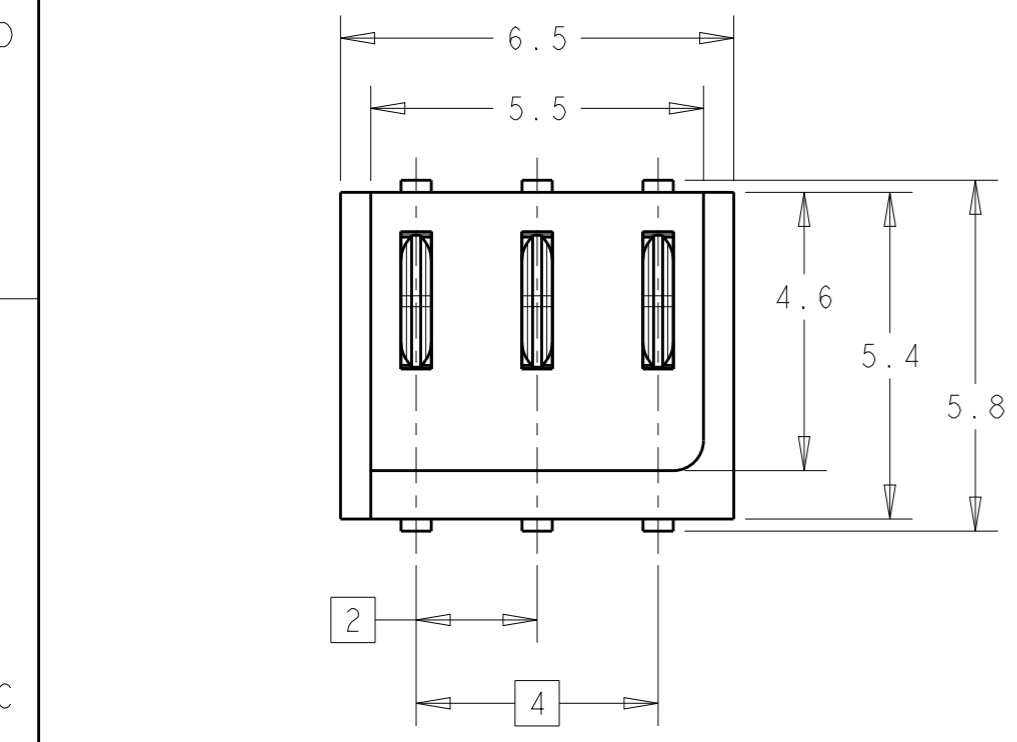
3

2

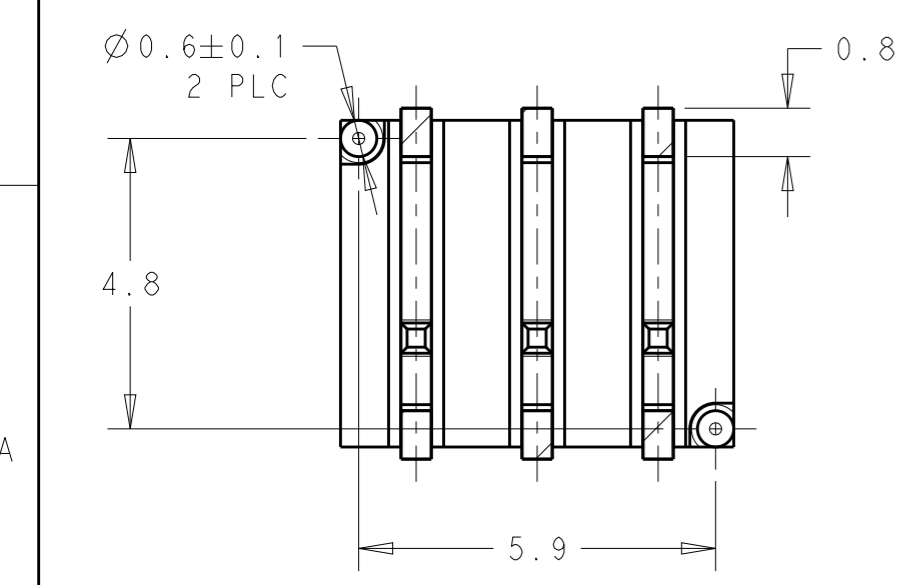
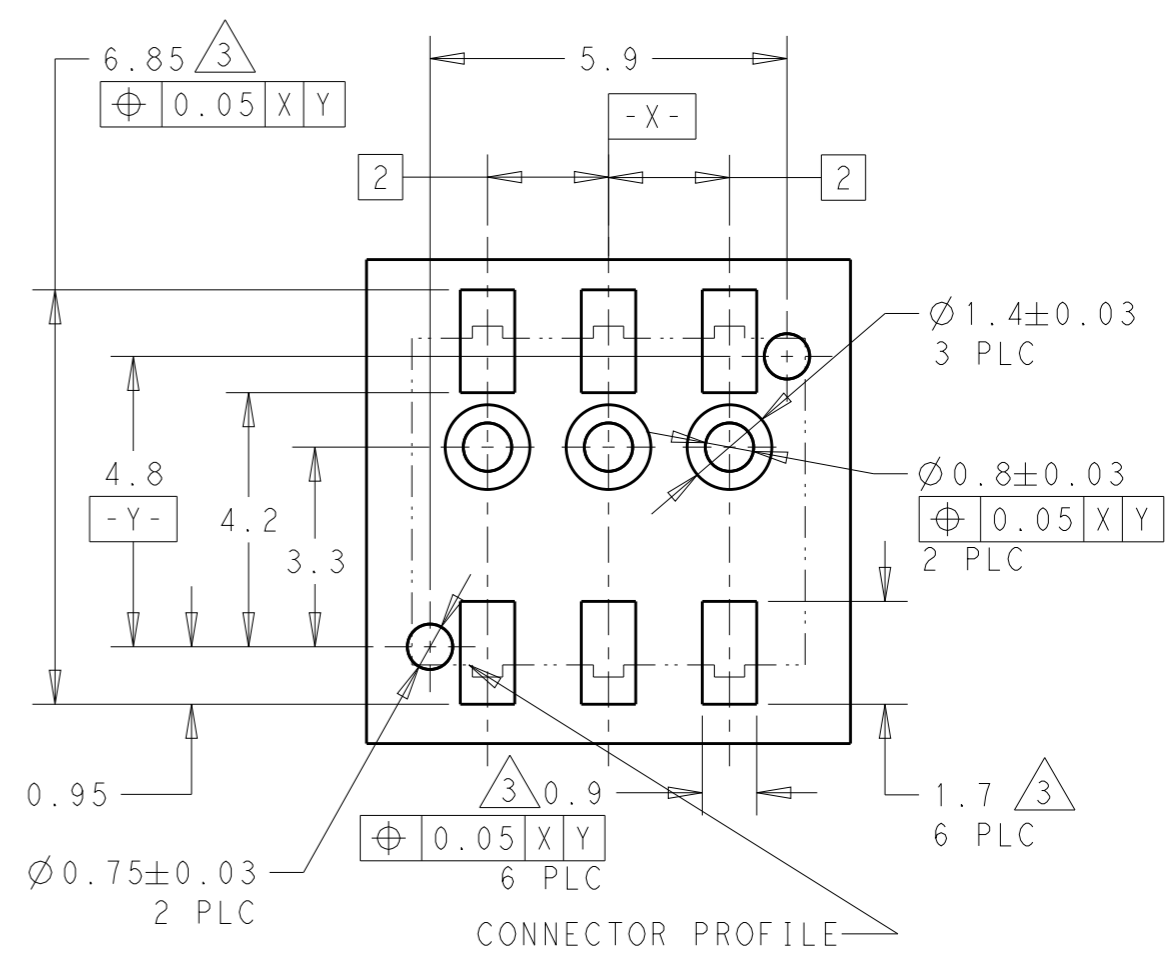
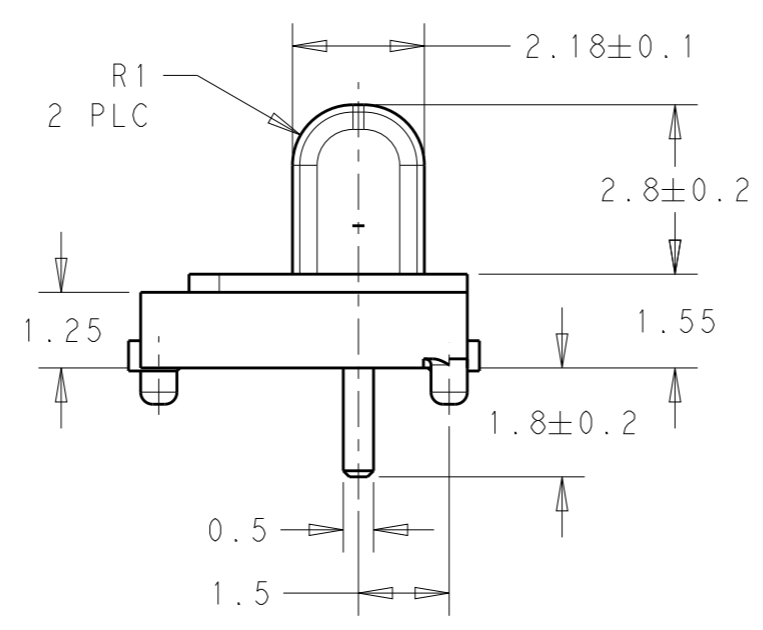
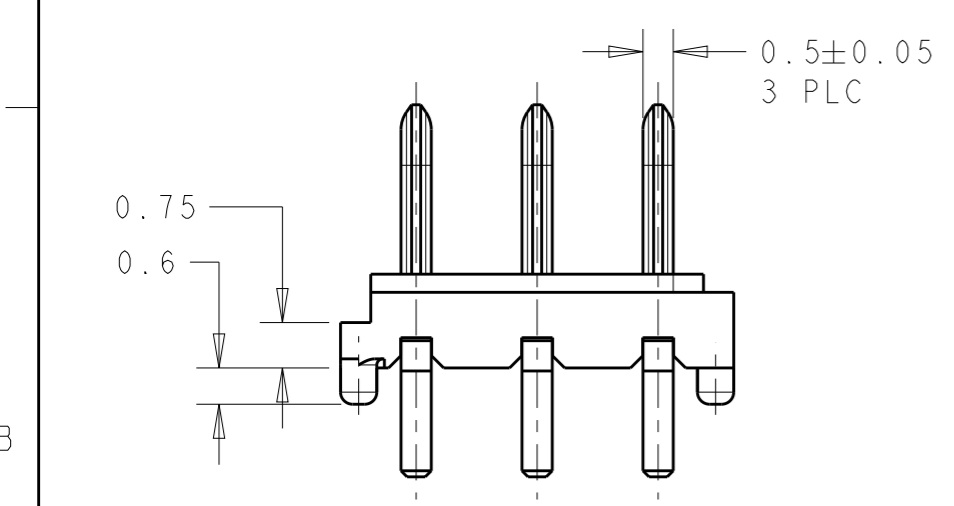
1

THIS DRAWING IS UNPUBLISHED. RELEASED FOR PUBLICATION 20  
 © COPYRIGHT 20 BY - ALL RIGHTS RESERVED.

LOC		DIST		REVISIONS			
P	LTR	DESCRIPTION	DATE	DWN	APVD		
-	-						



NOTES:  
 1 MATERIAL:  
 HOUSING; THERMOPLASTIC RESIN, UL94V-0, BLACK  
 CONTACT; COPPER ALLOY  
 2 FINISH: ALL OVER Ni UNDER PLATING.  
 CONTACT AREA: GOLD PLATING  
 SODERING AREA: GOLD FLASH  
 3 NECESSARY SURFACEMOUNTING BY REFLOW



2199011-1 AS SHOWN

THIS DRAWING IS A CONTROLLED DOCUMENT.		DWN	11 JAN 2012		<b>STE</b> TE Connectivity			
DIMENSIONS: mm		E.L	11 JAN 2012					
TOLERANCES UNLESS OTHERWISE SPECIFIED:		CHK	11 JAN 2012					
0 PLC ±0.3		X.X	11 JAN 2012					
1 PLC ±0.25		APVD	11 JAN 2012		NAME BATTERY BLOCK PLUG ASSEMBLY 3 POS 2.0MM PITCH			
2 PLC ±0.2		PRODUCT SPEC	108-5846					
3 PLC ±0.2		APPLICATION SPEC	-		SIZE	CAGE CODE	DRAWING NO	RESTRICTED TO
4 PLC ±0.2		MATERIAL	-		A3	00779	C-2199011	-
ANGLES ±		FINISH	-		WEIGHT	0.21 G		SCALE
1		2	Customer Drawing		8:1		SHEET 1 OF 1	REV A

# Mouser Electronics

Authorized Distributor

Click to View Pricing, Inventory, Delivery & Lifecycle Information:

[TE Connectivity:](#)

[2199011-1](#)