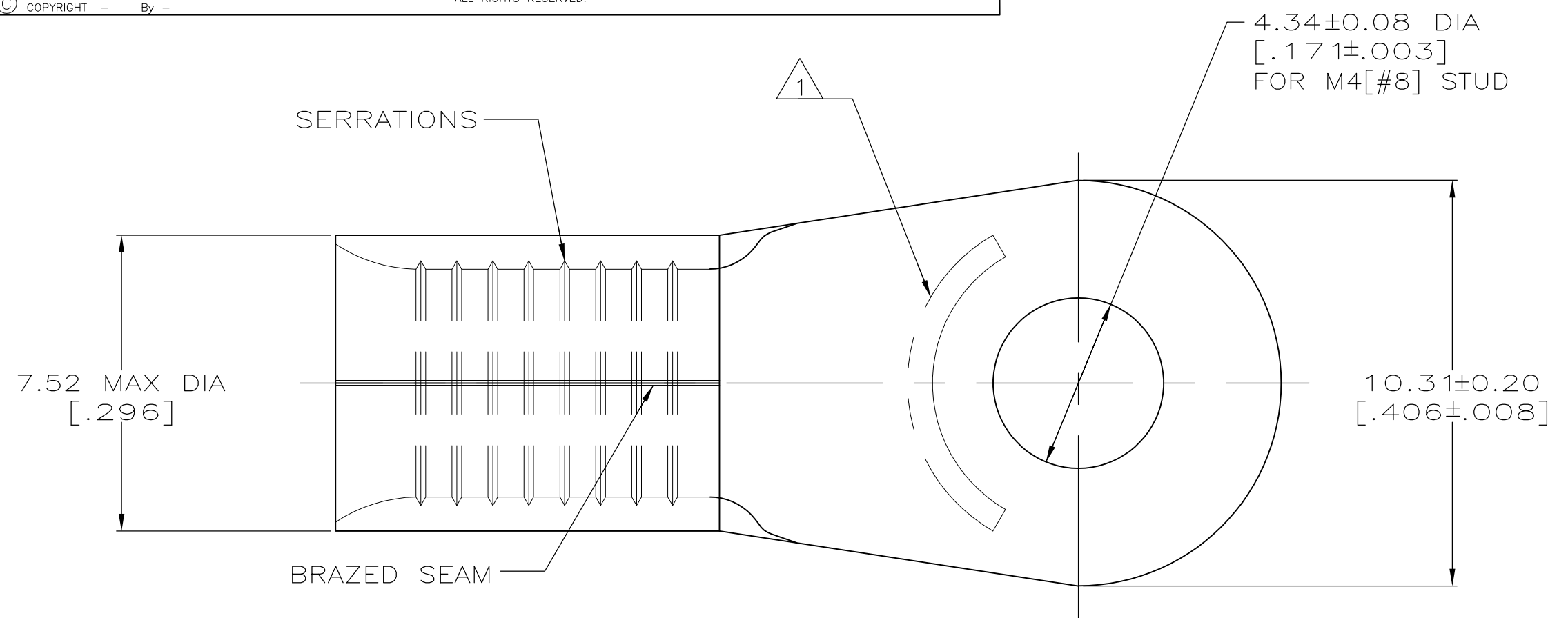


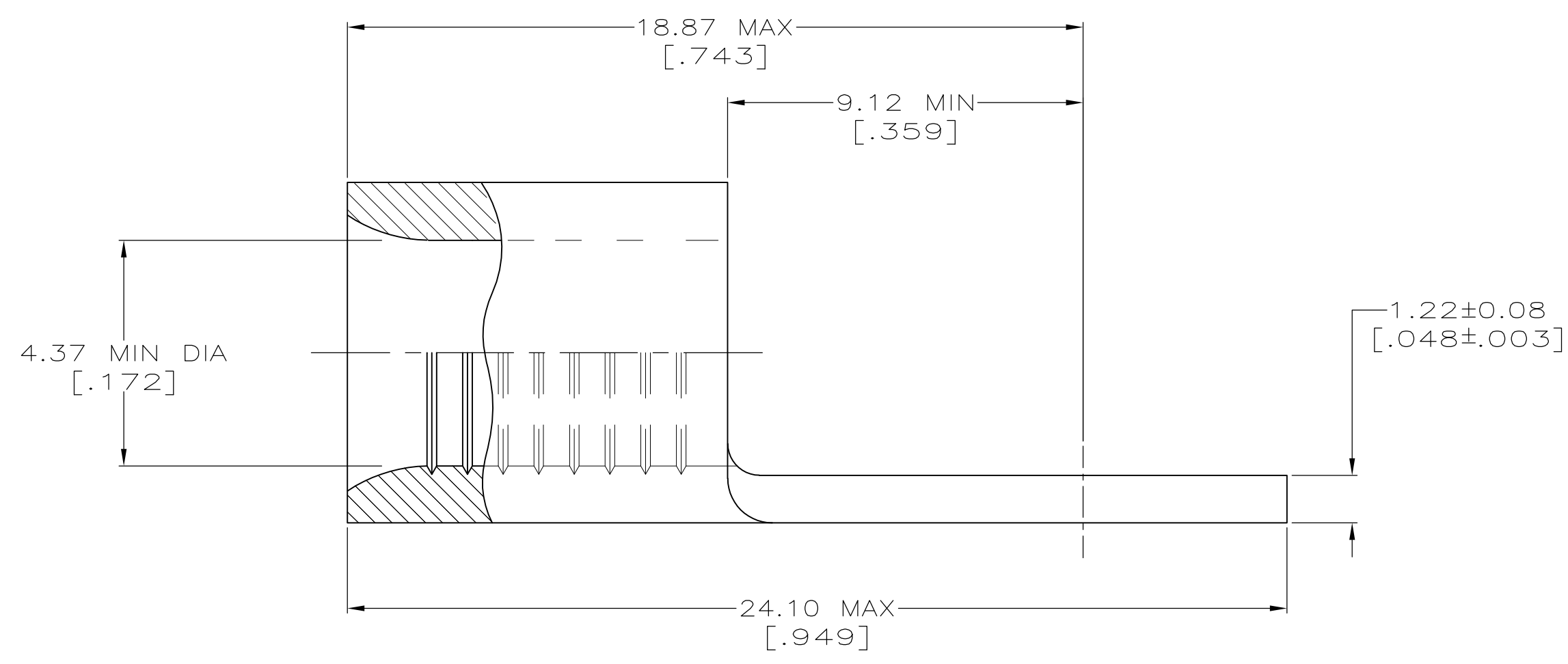
LOC	DIST	REVISIONS					
G	14	P	LTR	DESCRIPTION	DATE	OWN	APVD
		S4		REVISED PER ECO-14-007073	13MAY2014	NK	DR



AMP
WIRE RANGE

8 AWG
SOLID OR STRANDED

- 1 STAMP AMP 8* APPROX AS SHOWN
- 2 COPPER PER ASTM B-152, ANNEALED
- 3 UL LISTED E13288, 8 AWG STRANDED
- 4 CSA CERTIFIED LR7189, 8 AWG STRANDED
- 5 MILITARY MS20659-140 CLASS 2
- 6 TIN PLATE 0.00254 [.000100] MIN THK PER ASTM B545
- 7 NICKEL PLATE 0.00762 [.000300] MIN THK PER QQ-N-290.
- 8 TIN-LEAD (60-40) PLATE 0.00254 [.000100] MIN THK PER SAE-AMS-P-81728
- 9 TIN-LEAD (93-7) PLATE 0.00254 [.000100] MIN THK PER ASTM-B545 (3% MIN LEAD CONTENT)
- 10 LONGER WIRE BARREL THAN OTHER #8 AWG; PROPER WIRE STRIP LENGTH: 9.12-9.94 [.359-.390]; IGNORE TOOLING INSTRUCTION SHEET STRIP LENGTH
- 11 PRELIMINARY - NOT FOR PRODUCTION



---	170°C [338°F]	1500	324061 ON TAPE	6	3-324061-1
---	343°C [649°F]	----	LOOSE PIECE	7	2-324061-5
---	170°C [338°F]	100	LOOSE PIECE	9	11 324061-2
---	170°C [338°F]	50	LOOSE PIECE	8	11 324061-1
3 4 5	170°C [338°F]	100	LOOSE PIECE	6	324061
APPROVALS	MAX OPERATING TEMPERATURE	QTY	PACKAGE TYPE	FINISH	PART NO.

**AMP INCORPORATED
CUSTOMER SERVICE SYSTEMS**

FOR ADDITIONAL PRODUCT INFORMATION OR COPIES OF DRAWINGS AND TECHNICAL DOCUMENTS	PRODUCT INFORMATION CENTER 1-800-522-6752	MAX RECOMMENDED OPERATING TEMPERATURE: SEE TABLE
FOR APPLICATION TOOLING INFORMATION	TOOLING ASSISTANCE CENTER 1-800-722-1111	
FOR ORDER ENTRY	1-800-526-5142	CIRCULAR MIL AREA: 6.64-10.5mm ² [13,100-20,800] SOLID OR STRANDED

THIS DRAWING IS A CONTROLLED DOCUMENT FOR AMP INCORPORATED. IT IS SUBJECT TO CHANGE AND THE CONTROLLING ENGINEERING ORGANIZATION SHOULD BE CONTACTED FOR THE LATEST REVISION.

THIS DRAWING IS A CONTROLLED DOCUMENT.

DIMENSIONS: mm [INCHES]	TOLERANCES UNLESS OTHERWISE SPECIFIED:	DWN TA BRINKMAN 3-24-93	STE TE Connectivity
	0 PLC ± - 1 PLC ± - 2 PLC ± - 3 PLC ± - 4 PLC ± - ANGLES ± ± -	CHK DA PATTERSON 3-24-93	
MATERIAL	FINISH	APVD JL MECKLEY 3-24-93	
2	SEE TABLE	NAME TERMINAL, RING TONGUE, SOLISTRAND	
CUSTOMER DRAWING		WEIGHT 2.99 GRAMS	SIZE A2
		CAGE CODE 00779	DRAWING NO G-324061
		RESTRICTED TO	
		SCALE 8:1	SHEET 1 OF 1
		REV S4	