

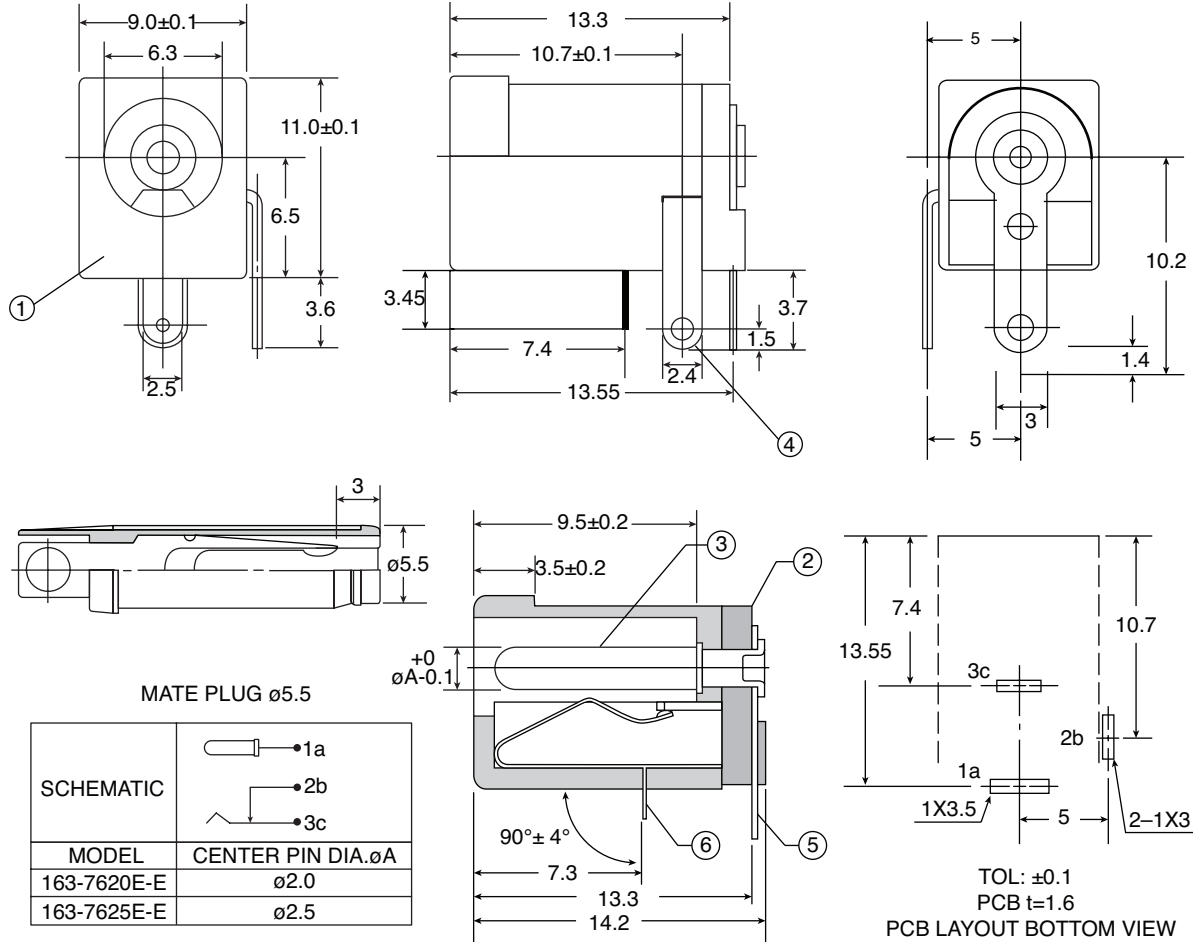
# PC Mount DC Power Jacks

163-7620E-E, 163-7625E-E



PC Mount DC Power Jacks

DIMENSIONS: mm



SCHEMATIC	
	• 1a
	• 2b
	• 3c
MODEL	CENTER PIN DIA. $\phi A$
163-7620E-E	$\phi 2.0$
163-7625E-E	$\phi 2.5$

No.	Part Name	Qty.	Specifications	Plated/Color
1	Housing	1	PBT+15%GF	Black
2	Back Cover	1	PBT+15%GF	Black
3	Center Pin	1	Brass	1st Cu 2~3 $\mu$ m 2nd Sn-Cu 3~4 $\mu$ m
4	Break Terminal	1	SPCC-SD	1st Cu 3~5 $\mu$ m 2nd Sn-Cu 3~5 $\mu$ m
5	Pin Terminal	1	SPCC-SD	1st Cu 3~5 $\mu$ m 2nd Sn-Cu 3~5 $\mu$ m
6	Spring Contact	1	Phosphor Bronze	1st Cu 2~3 $\mu$ m 2nd Ni 3~4 $\mu$ m
			Voltage: DC 12V	
			Current Rating: AC 2A	
			Operating Temp: -10°C to +80°C	
RoHS Compliant				

Date Last Revised: 03-12-13

Available from Mouser Electronics  
1-800-346-6873 / www.mouser.com

KC-301411

163-7620E-E, 163-7625E-E

# Mouser Electronics

Authorized Distributor

Click to View Pricing, Inventory, Delivery & Lifecycle Information:

[Kobiconn:](#)

[163-7620E-E](#) [163-7625E-E](#)