

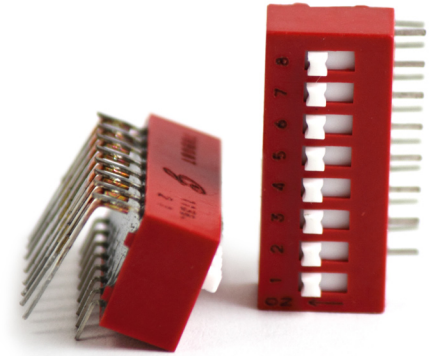
SERIES 78B Right Angle Option

FEATURES

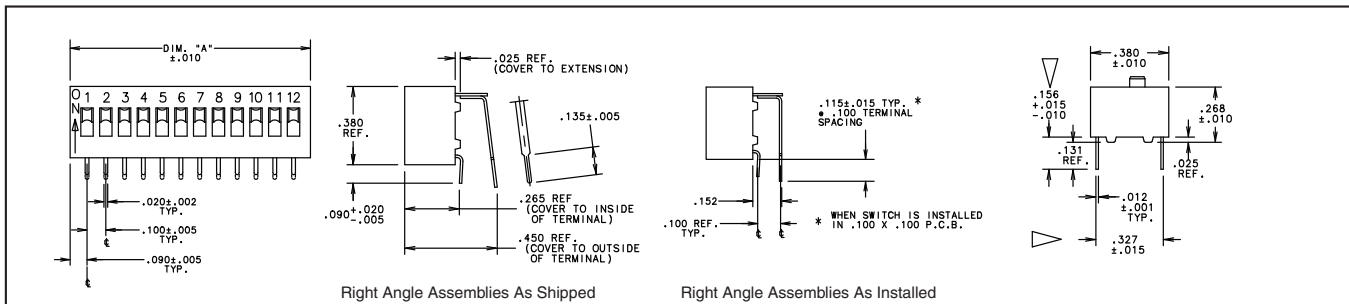
- Easy Access
- SPST Circuitry
- 1-10 and 12 positions available
- Sealed versions available

APPLICATIONS

Telecommunications, computers and peripherals, instruments and controls.



Series 78B DIMENSIONS in inches (and millimeters)



SPECIFICATIONS

Mechanical

Mechanical Life: 2,000 operations per switch.

Operation Temp: -40°C to + 85°C

Storage Temp: -55°C to + 85°C

Vibration Test: Per Method 204, Test Condition B, 1 mS opening (10 mS allowed)

Shock Test: MIL-STD-202F METHOD 213 Test Condition A, 1ms (10 allowed)

Electrical

Electrical Life: 10,000 operations per switch 24VDC, 25mA.

Non-Switching Rating: 100mA, 50VDC.

Switching rating: 150mA, 30VDC; 10mA, 50mVDC

Contact Resistance: 30mΩ max. at initial.

Insulation Resistance: (at 100VDC) 5,000MΩ min.

Dielectric Strength: 750VAC/1 minute.

Capacitance: 2pF max.

Soldering and Cleaning Process

*For the most current soldering & cleaning processing guidelines, reference Grayhill Dip Switch Processing Information, Bulletin 1234

Cleaning tape sealed products:

Passes immersion test using water/detergent. Acceptable solutions include 1-1-1 trichlorethane, freon, (TF, TE, or TMS), isopropyl alcohol, detergent (140°F maximum). Terpene acceptable for Series 90 only. Solutions which are not recommended include acetone, methylenechloride, freon TMC. Pressure wash cleaning processes are not recommended for tape seal switches.

Wave Soldering: Recommended solder temperature: 500°F (260C) max 5 seconds.

Hand Soldering: Use a soldering iron of 30 Watts or less, controlled at 608°F (320°C) approximately 2 seconds while applying solder.

Cleaning: Tape sealed versions withstand cleaning processes.

Materials

Contact Ball: Brass with gold plating over nickel

Terminals: Brass with gold plating over nickel

Nonconductive Parts: Plastic UL94V-0

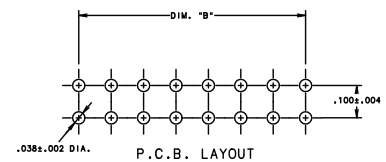
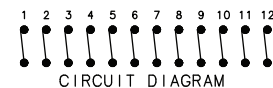
Potting Material: Epoxy

Shorting Member (Ball): Brass, gold-plated over nickel barrier.

Protective Cover: Polycarbonate.

Tape Seal: Polyester film

Tape Seal Integrity: Passes gross leak test using 125°C flourinert for 20 seconds minimum. Reference MIL-STD-202, Method 112.



ORDERING INFORMATION

Series 78B, 78F, 78G, 78H, 78J, 78K, 78RB Styles available as right angle

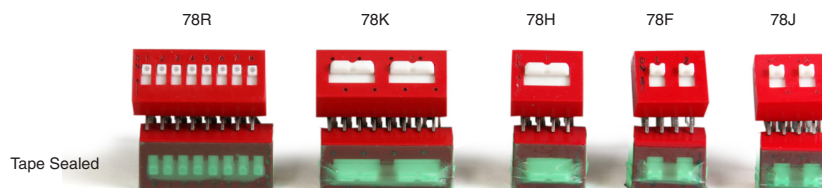
Number of Positions 1 through 12 (depending on Series)

RoHS compliant

Right Angle

S= Top Tape Sealed, Blank=Unsealed

78B08SRAT



Mouser Electronics

Authorized Distributor

Click to View Pricing, Inventory, Delivery & Lifecycle Information:

Grayhill:

[78K01ST](#) [78J01ST](#) [78J03ST](#) [78J04ST](#) [78B02SRAT](#) [78B02ST](#) [78B03RAT](#) [78B03ST](#) [78B04RAT](#) [78B04ST](#)
[78B05ST](#) [78B06ST](#) [78B07ST](#) [78B08RAT](#) [78B08SRAT](#) [78B08ST](#) [78B10SRAT](#) [78B10ST](#) [78B12SRAT](#) [78B12ST](#)
[78F01ST](#) [78F02ST](#) [78F03ST](#) [78G01ST](#) [78G02ST](#) [78H01ST](#) [78RB02ST](#) [78RB04ST](#) [78RB05ST](#) [78RB08ST](#)
[78RB10ST](#) [78J05SRAT](#) [78RB12ST](#) [78F04RAT](#) [78RB03SRAT](#) [78RB08SRAT](#) [78K01SRAT](#) [78F03SRAT](#) [78H01RAT](#)
[78J02RAT](#) [78B07SRAT](#) [78G02SRAT](#) [78RB09RAT](#) [78J01RAT](#) [78RB04SRAT](#) [78J03RAT](#) [78H01SRAT](#)
[78B09SRAT](#) [78B04SRAT](#) [78J05ST](#) [78F05RAT](#) [78J01SRAT](#) [78G03SRAT](#) [78B03SRAT](#) [78RB10SRAT](#) [78J04RAT](#)
[78F01RAT](#) [78RB06RAT](#) [78RB12RAT](#) [78H02ST](#) [78RB03RAT](#) [78G03ST](#) [78J02SRAT](#) [78B06RAT](#) [78B12RAT](#)
[78B09ST](#) [78F05ST](#) [78RB12SRAT](#) [78B02RAT](#) [78RB06SRAT](#) [78F01SRAT](#) [78G01SRAT](#) [78RB07RAT](#) [78F05SRAT](#)
[78G01RAT](#) [78RB05SRAT](#) [78RB02SRAT](#) [78J02ST](#) [78B07RAT](#) [78RB06ST](#) [78F04SRAT](#) [78RB10RAT](#) [78H02RAT](#)
[78RB07ST](#) [78B05RAT](#) [78F02RAT](#) [78RB09ST](#) [78G02RAT](#) [78J03SRAT](#) [78B05SRAT](#) [78F04ST](#) [78F03RAT](#)
[78G03RAT](#) [78J05RAT](#) [78J05T](#) [78B09RAT](#) [78RB04RAT](#) [78RB07SRAT](#) [78K02RAT](#) [78F02SRAT](#)