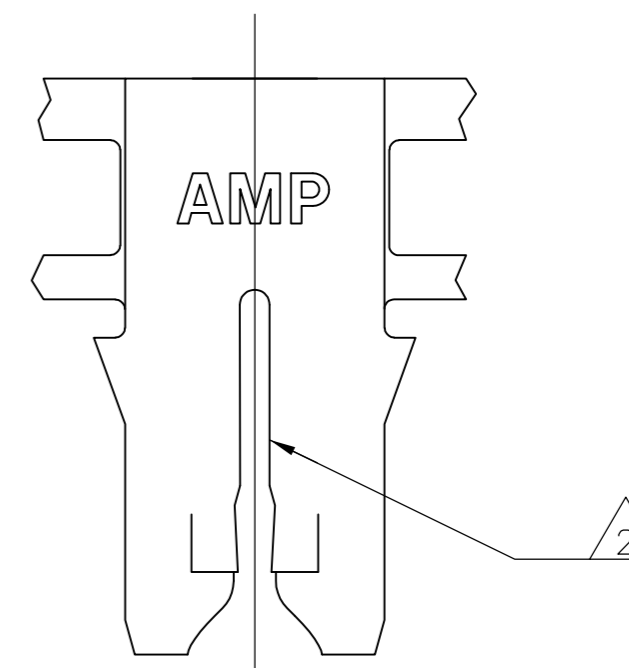
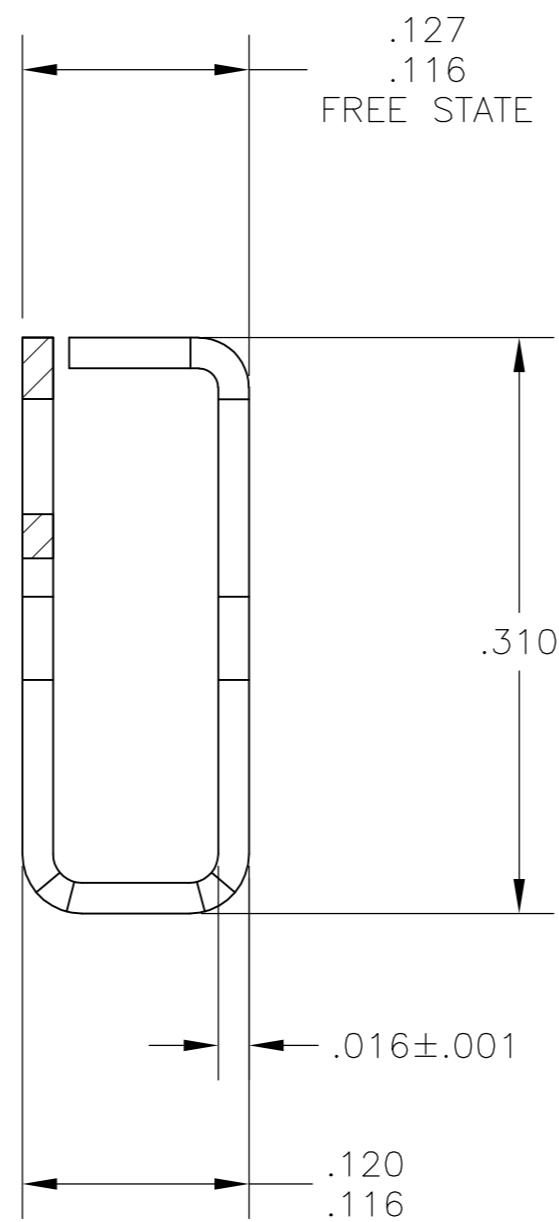
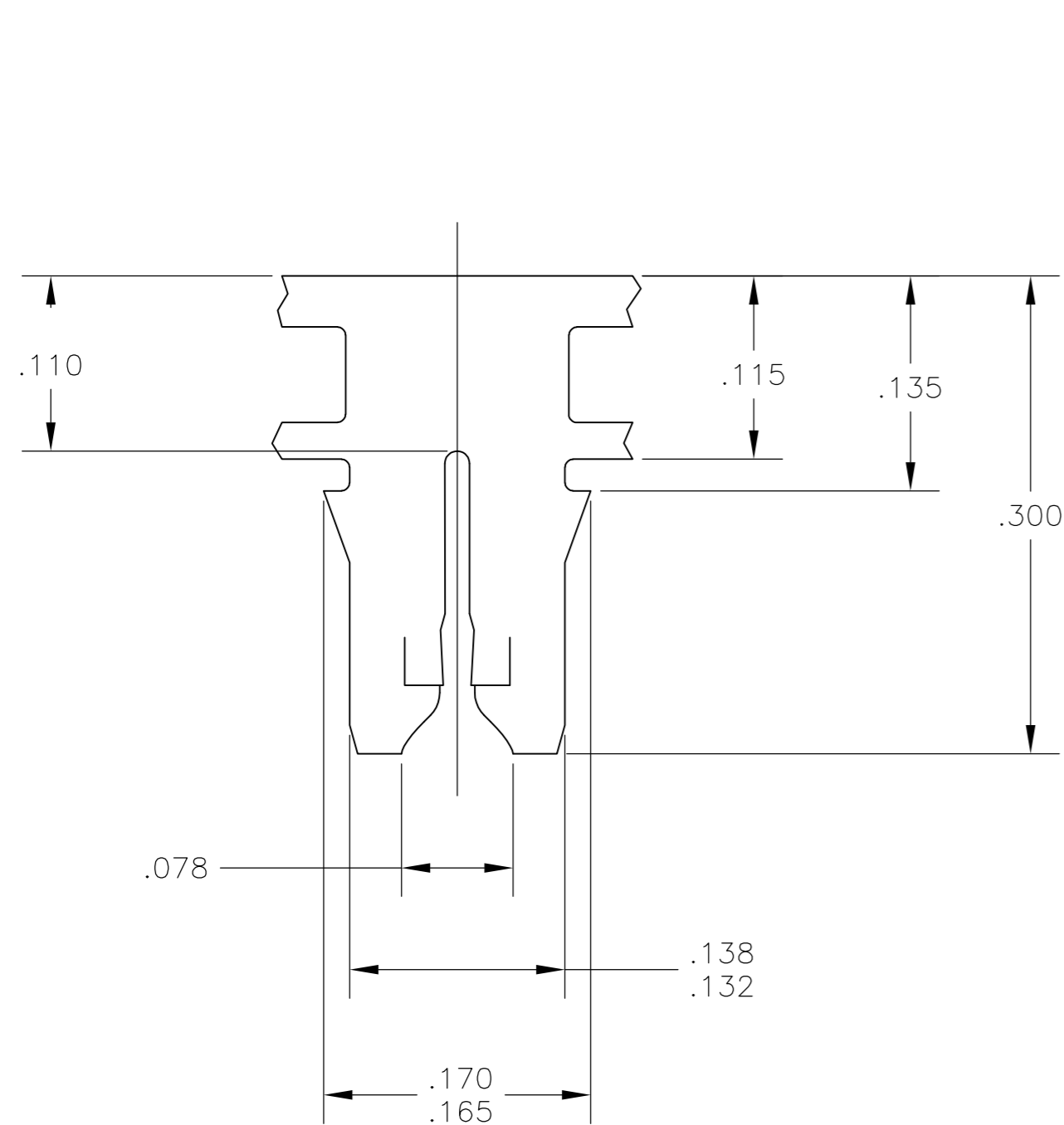
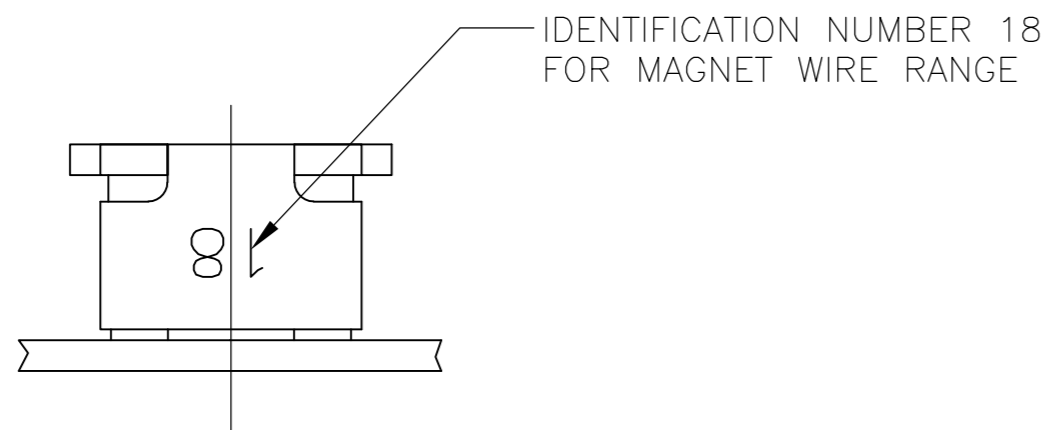


THIS DRAWING IS UNPUBLISHED. RELEASED FOR PUBLICATION
 © COPYRIGHT - By - ALL RIGHTS RESERVED.

| LOC | | DIST | | REVISIONS | | | |
|-----|-----|-------------------------------|--|-----------|-----|------|--|
| P | LTR | DESCRIPTION | | DATE | DWN | APVD | |
| | B6 | REVISED PER ECR ECR-13-011405 | | 17JUL13 | GRZ | DZ | |

- 1 CONTINUOUS STRIP ON REELS (NO SPLICES) WITH TERMINALS LOCATED ON $.220 \pm .003$ CENTERS.
- 2 SLOT ACCEPTS 0.64-0.81mm [#22-#20] AWG COPPER MAGNET WIRE. SINGLE OR DOUBLE WIRE OF THE SAME SIZE AND TYPE.
- 3 PREPRODUCTION - FASR REQUIRED
- 4 SPECIAL CAVITY ANVIL LOCATION REQUIRED 4.83 ± 0.07 [.190 ± .003] REF APPLICATION SPEC 114-2046, SEC. 3.2 NOTE 7 REVISION T OR LATER.



| | |
|-------------------|-------------|
| REVERSE | 1217973-2 |
| OBSOLETE STANDARD | 3 1217973-1 |
| REELING | PART NUMBER |

| | | | | | | | | | | | | | | | | | | | | | |
|---|---|------------------------------|---------|----------------------------|------------------|---|-------|---|---|-------|---|------|-------|---|---|-------|---|---|--------|---|---|
| THIS DRAWING IS A CONTROLLED DOCUMENT. | | DWN | 15JUL03 | | | | | | | | | | | | | | | | | | |
| DIMENSIONS: INCHES | | CHK | 15JUL03 | | | | | | | | | | | | | | | | | | |
| TOLERANCES UNLESS OTHERWISE SPECIFIED: | | KURT A. RANDOLPH | | | | | | | | | | | | | | | | | | | |
| <table border="1"> <tr><td>0 PLC</td><td>±</td><td>-</td></tr> <tr><td>1 PLC</td><td>±</td><td>-</td></tr> <tr><td>2 PLC</td><td>±</td><td>.010</td></tr> <tr><td>3 PLC</td><td>±</td><td>-</td></tr> <tr><td>4 PLC</td><td>±</td><td>-</td></tr> <tr><td>ANGLES</td><td>±</td><td>-</td></tr> </table> | | 0 PLC | ± | | | - | 1 PLC | ± | - | 2 PLC | ± | .010 | 3 PLC | ± | - | 4 PLC | ± | - | ANGLES | ± | - |
| 0 PLC | ± | - | | | | | | | | | | | | | | | | | | | |
| 1 PLC | ± | - | | | | | | | | | | | | | | | | | | | |
| 2 PLC | ± | .010 | | | | | | | | | | | | | | | | | | | |
| 3 PLC | ± | - | | | | | | | | | | | | | | | | | | | |
| 4 PLC | ± | - | | | | | | | | | | | | | | | | | | | |
| ANGLES | ± | - | | | | | | | | | | | | | | | | | | | |
| MATERIAL: H04 PHOS BRONZE | | APVD | 15JUL03 | NAME: KURT A. RANDOLPH | | | | | | | | | | | | | | | | | |
| FINISH: .000080 MIN TIN OVER .000020 MIN NICKEL | | PRODUCT SPEC: 108-2012 | | TERMINAL, SPLICE, MAG-MATE | | | | | | | | | | | | | | | | | |
| | | APPLICATION SPEC: 114-2046 4 | | SIZE: A2 | CAGE CODE: 00779 | | | | | | | | | | | | | | | | |
| | | WEIGHT: - | | DRAWING NO: 1217973 | | | | | | | | | | | | | | | | | |
| | | CUSTOMER DRAWING | | SCALE: 10:1 | SHEET: 1 of 1 | | | | | | | | | | | | | | | | |
| | | | | RESTRICTED TO: - | REV: B6 | | | | | | | | | | | | | | | | |

Mouser Electronics

Authorized Distributor

Click to View Pricing, Inventory, Delivery & Lifecycle Information:

[TE Connectivity:](#)

[1217973-2](#)