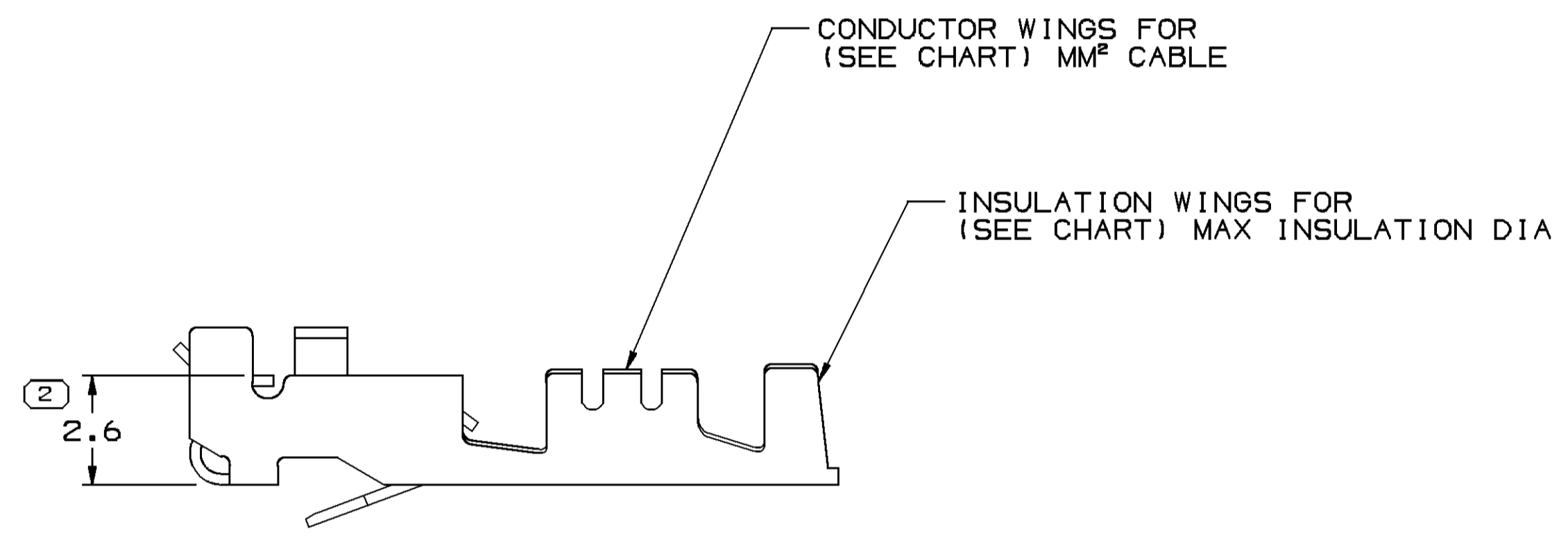
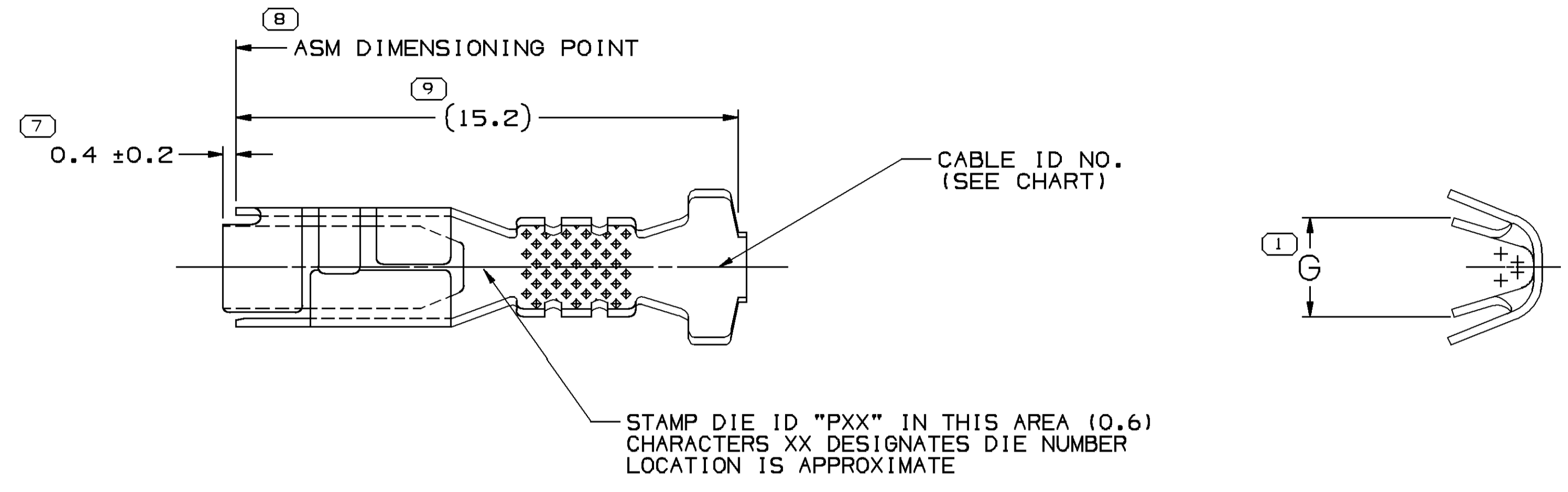
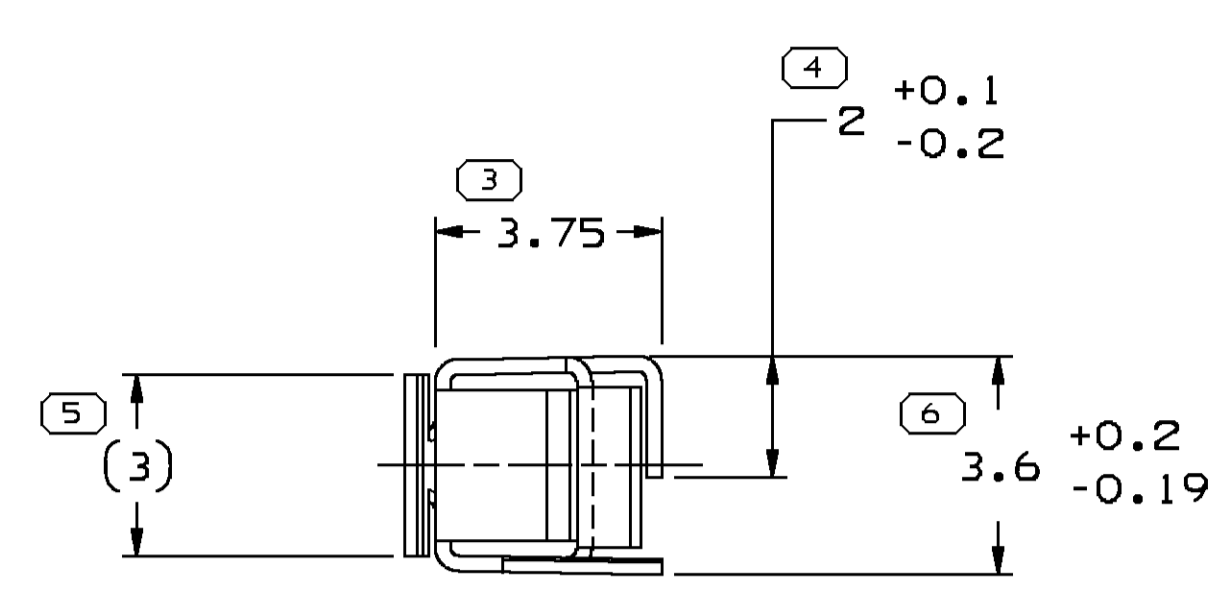


SYMBOL DEFINITION		MISSING SYMBOLS	
A DIMENSION WITHOUT AN INSPECTION REPORT SYMBOL () DOES NOT REQUIRE INSPECTION. IT MAY BE CONTROLLED ON THE INDIVIDUAL COMPONENT DRAWING.	TOTAL NO OF INSPECTIONS REQUIRED	NO MISSING SYMBOL NUMBER	9
	LAST NO. USED		9

DWG STATUS				ZONE	REVISION HISTORY	AUTH	DR	APVD1	APVD2
DATE	STG	REV	N/P						
17MY04	R	03	-	-	ALL PARTS - CLEARED REV COL, REVISED DIMS AND REDRAWN TO PD 12160248 - OBSOLETE 12103360 & 12077939 - REVISED LOCK TANG	253922	CCV	FRG	WTM
150C04	R	04	-	-	ALL ACTIVE PARTS - ADDED TERMINAL ID NOTE	260003	RTV	JVM	MKM
28SE10	R	05	-	-	12103360 - CORRECTED MSPEC WAS M3604420 C65400 HD	412106	LHT	LHT	LHT
14FE14	R	06	-	-	12077939 - UPDATED TO MAT'L CALLOUT	425539	JVR	JVM	JSM



NOTES

- UNLESS OTHERWISE SPECIFIED AND/OR INDICATED:
DIMENSIONS ARE TO FACE OF VIEW SHOWN AND AUTOMATICALLY ROUNDED BY COMPUTER FOR INSPECTION
- TERMINAL USED IN 12065454 CONNECTOR OR EQUIVALENT.
- RECOMMENDED MATING BLADE - WIDTH: 2.88/2.42
THICKNESS: 0.86/0.79
LENGTH: 7.1/6.9.
- RECOMMENDED BLADE MATERIAL - MALE BLADE MATERIAL SHOULD HAVE AN ELECTRICAL CONDUCTIVITY ≥ 20% IACS AT 68°F. USE OF MATERIAL WITH CONDUCTIVITY < 20% IACS SHOULD BE APPROVED BY PACKARD ELECTRIC.
- PART MUST BE FREE FROM BURRS, SHARP EDGES, OILS AND SURFACE CONTAMINATES WHICH MIGHT BE DETRIMENTAL TO SATISFACTORY ASSEMBLY. SAFE HANDLING OR FUNCTION OF PART.
- "PXX" INDICATES "P" PLUS LAST TWO DIGITS OF MAKE SERIES NUMBER (PO1, PO2, PO3, ETC).

PART NO	REV	N/P	MAT'L SPEC	SIZE (MM²)	ID	DIA	G
12160248	A1		PM003612-420	1-0.8-0.5	60	2.4-2.03	3±0.3
12103360	02	AB	SN PLATED COOPER ALLOY	0.5-0.35	21	2.19-1.3	2.1
12077939	04	AB	SN PLATED COOPER ALLOY	1-0.8-0.5	60	2.4-2.03	3±0.2
PLATED				CABLE			

6 PROCESS SENSITIVE DIMENSION	
DIMENSIONAL RANGE (MM)	CHART D
FROM 0 TO 12	> 12
TOLERANCE UNLESS OTHERWISE SPECIFIED	
±0.1	±0.2
ANGULAR TOLERANCE ±2°	

INDICATES THAT PHYSICAL PARTS ARE NOT AVAILABLE FOR ORDERING.	
PART NUMBERS THAT DO NOT HAVE A LINE PRESENT INDICATE THAT PHYSICAL PARTS ARE AVAILABLE FOR ORDERING.	
CONTACT DELPHI SALES TO ASSURE AVAILABILITY OF PARTS.	
DWG TYPE: PART DRAWING	
STYLE: D	
VOLUME (CPI)	DISTR CODE
UNLESS OTHERWISE SPECIFIED	
THIS DOCUMENT IS IN ACCORDANCE WITH ASME Y14.5M-1994 AS MODIFIED BY THE GM GLOBAL DIMENSIONING AND TOLERANCING ADDENDUM-2001. SEPARATE PATTERNS OF FEATURES MAY BE GAGED SEPARATELY REGARDLESS OF DATUM REFERENCES.	
ALL DIMENSIONS ARE IN MILLIMETERS	
REFERENCE:	
THIRD ANGLE PROJECTION	DO NOT SCALE
USE MATH DATA	NX

DELPHI
DELPHI PACKARD ELECTRICAL/ELECTRONIC ARCHITECTURE
WARREN, OH
COPYRIGHT 1997 DELPHI CORPORATION AND/OR ITS AFFILIATES. ALL RIGHTS RESERVED.
REVISED 2014
THIS DRAWING IS THE PROPERTY OF DELPHI CORPORATION AND CONTAINS DELPHI CONFIDENTIAL INFORMATION. THE REPRODUCTION, DISTRIBUTION AND UTILIZATION OF THIS DOCUMENT OR ITS RELATED CAD DATA, AS WELL AS COMMUNICATION OF ANY CONTENT TO OTHERS, WITHOUT EXPRESS AUTHORIZATION, IS PROHIBITED.

DR	DATE
APVD1 E. LUQUENO	31MR97
APVD2 FCO. KOPCA	02AP97
APVD3 O. GALLEGOS	22AP97
APVD4	
APVD5	

SUBSTANCES OF CONCERN AND RECYCLED CONTENT PER DELPHI 10949001

MATERIAL SEE CHART

DRAWING NAME: TAXI TERM F M/P 280.1 TANG

DRAWING NUMBER: 12059227

SIZE	SCALE	FRAME NO	SHEET NO	STG	REV	N/P
A1	8:1	1 OF 1	2 OF 2	R	06	-

Mouser Electronics

Authorized Distributor

Click to View Pricing, Inventory, Delivery & Lifecycle Information:

[Aptiv:](#)

[12077939](#) [12077939-L](#) [12077939-MR](#)