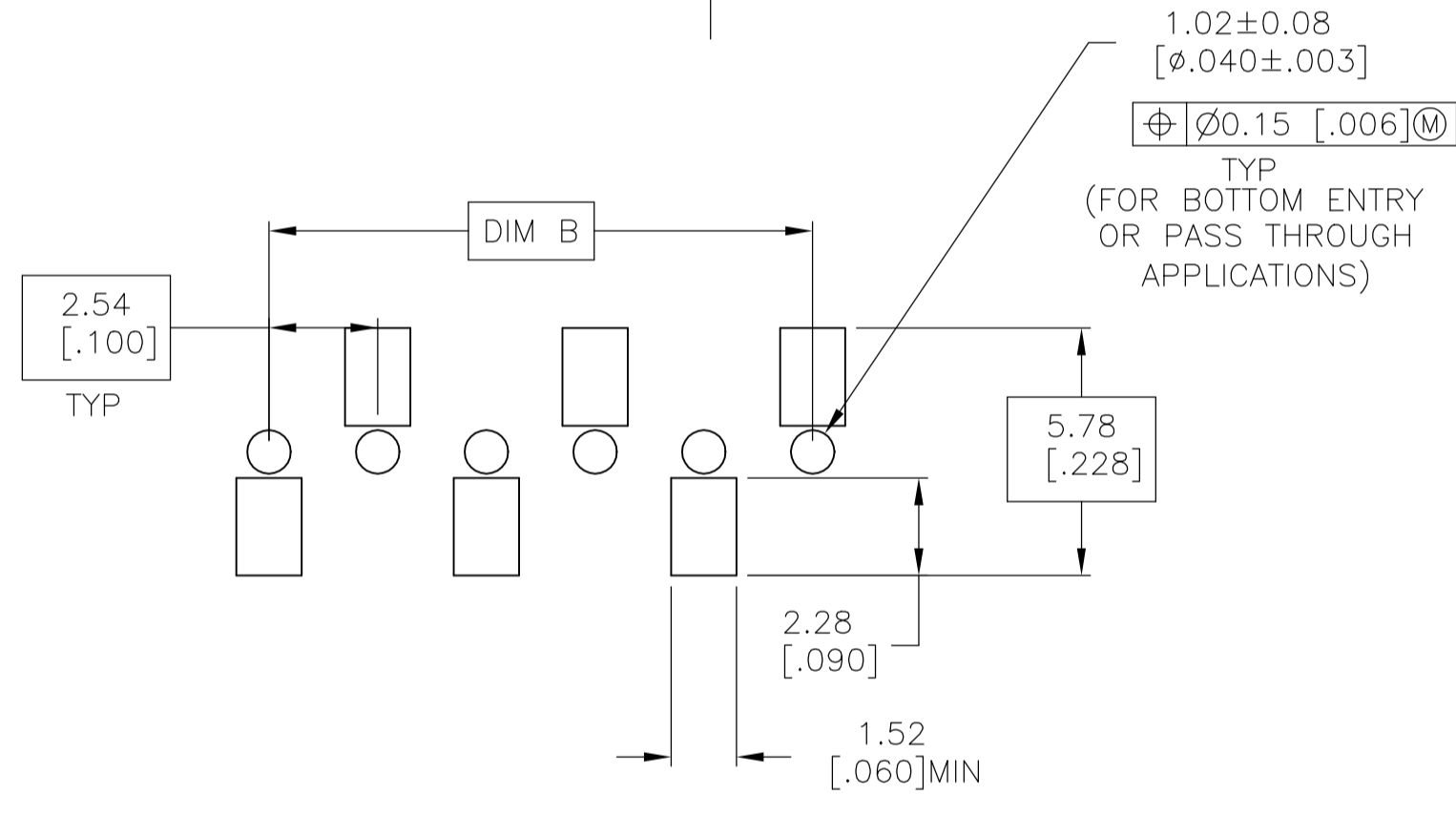
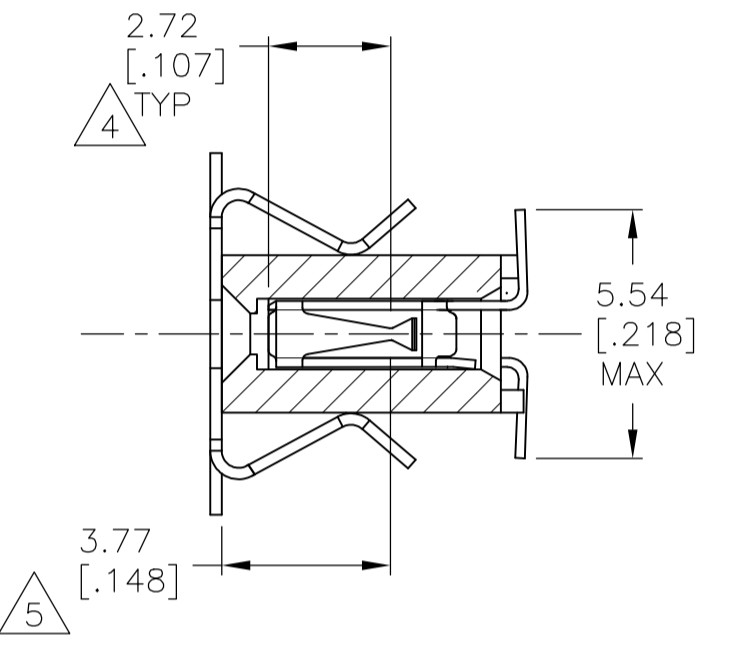
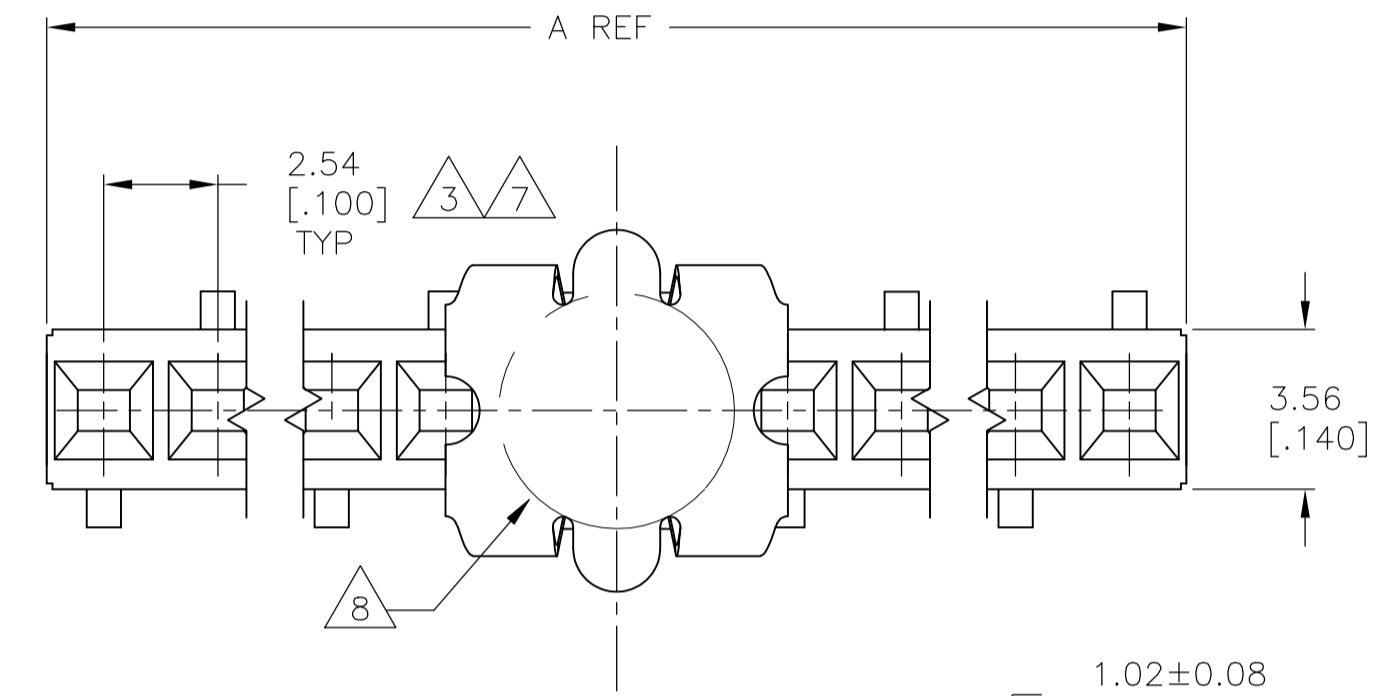
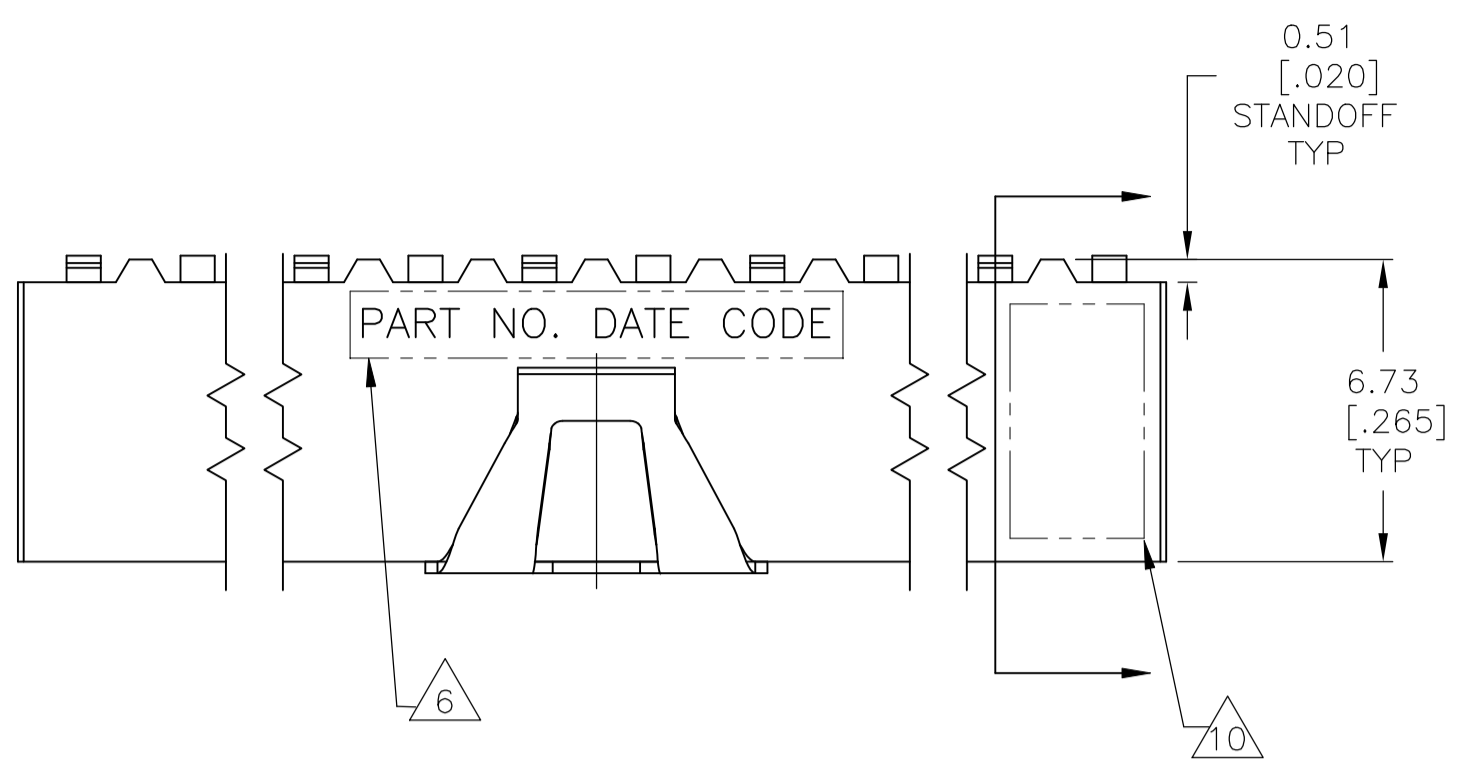


REVISIONS				
P	LTR	DESCRIPTION	DATE	APP'D
J6		ECR-16-016466	19JAN2018	SD PS



RECOMMENDED PC BOARD PAD PATTERN  
 0.20 [.008] THICK STENCIL

120mm	99.06 [3.900]	101.6 [4.000]	40	△	3-147723-9
	96.52 [3.800]	99.06 [3.900]	39	△	3-147723-8
	93.98 [3.700]	96.52 [3.800]	38	△	3-147723-7
	91.44 [3.600]	93.98 [3.700]	37	△	3-147723-6
	88.90 [3.500]	91.44 [3.600]	36	△	3-147723-5
	86.34 [3.400]	88.90 [3.500]	35	△	3-147723-4
	83.82 [3.300]	86.34 [3.400]	34	△	3-147723-3
	81.28 [3.200]	83.82 [3.300]	33	△	3-147723-2
	78.74 [3.100]	81.28 [3.200]	32	△	3-147723-1
	76.20 [3.000]	78.74 [3.100]	31	△	3-147723-0
88mm	73.66 [2.900]	76.20 [3.000]	30	△	2-147723-9
	71.12 [2.800]	73.66 [2.900]	29	△	2-147723-8
	68.58 [2.700]	71.12 [2.800]	28	△	2-147723-7
	66.04 [2.600]	68.58 [2.700]	27	△	2-147723-6
	63.5 [2.500]	66.04 [2.600]	26	△	2-147723-5
	60.96 [2.400]	63.5 [2.500]	25	△	2-147723-4
	58.42 [2.300]	60.96 [2.400]	24	△	2-147723-3
	55.88 [2.200]	58.42 [2.300]	23	△	2-147723-2
	53.34 [2.100]	55.88 [2.200]	22	△	2-147723-1
	50.8 [2.000]	53.34 [2.100]	21	△	2-147723-0
72mm	48.26 [1.900]	50.8 [2.000]	20	△	1-147723-9
	45.72 [1.800]	48.26 [1.900]	19	△	1-147723-8
	43.18 [1.700]	45.72 [1.800]	18	△	1-147723-7
	40.64 [1.600]	43.18 [1.700]	17	△	1-147723-6
	38.1 [1.500]	40.64 [1.600]	16	△	1-147723-5
	35.56 [1.400]	38.1 [1.500]	15	△	1-147723-4
	33.02 [1.300]	35.56 [1.400]	14	△	1-147723-3
	30.48 [1.200]	33.02 [1.300]	13	△	1-147723-2
	27.94 [1.100]	30.48 [1.200]	12	△	1-147723-1
	25.4 [1.000]	27.94 [1.100]	11	△	1-147723-0
44mm	22.86 [.900]	25.4 [1.000]	10	△	147723-9
	20.32 [.800]	22.86 [.900]	9	△	147723-8
	17.78 [.700]	20.32 [.800]	8	△	147723-7
	15.24 [.600]	17.78 [.700]	7	△	147723-6
	12.7 [.500]	15.24 [.600]	6	△	147723-5
	10.16 [.400]	12.7 [.500]	5	△	147723-4
	7.62 [.300]	10.16 [.400]	4	△	147723-3
	5.08 [.200]	7.62 [.300]	3	△	147723-2
	2.54 [.100]	5.08 [.200]	2	△	147723-1
	24mm	2.54 [.100]	5.08 [.200]	2	△
EIA TAPE WIDTH	B	A	NO OF POSN	FINISH	PART NUMBER

SUPERSEDED BY 6-147723-9

SUPERSEDED BY 6-147723-5

- 1 HOUSING: GLASS FILLED, FLAME RETARDANT POLYESTER, BLACK CONTACTS: PHOSPHOR BRONZE. VACUUM COVER: STAINLESS STEEL
- 2 CONTACTS: DUPLEX PLATED: 0.76µm [.000030] GOLD IN CONTACT AREA 3.81-7.62µm [.000150-.000300] BRIGHT TIN-LEAD ON LEADS, ALL OVER 1.27µm [.000050] MINIMUM NICKEL.
- 3 THESE DIMENSIONS PERTAIN TO CAVITY CENTERLINES ONLY. NOT TO CONTACT LOCATION
- 4 POINT OF MEASUREMENT FOR PLATING THICKNESS.
- 5 POINT OF CONTACT DIMENSION.
- 6 MARK PART NUMBER AND DATE CODE IN APPROXIMATE LOCATION SHOWN, EITHER SIDE.

- 7 TOLERANCE IS NON-CUMULATIVE.
- 8 5.2 [.205] MIN TARGET AREA FOR VACUUM PICK-UP COVERS TO BE REMOVED AFTER SOLDERING.
- 9 FOR 2 POS, DATE CODE IS STAMPED OPPOSITE SIDE OF TE LOGO.
- 10 TE LOGO AND CSA LOGO ARE MOLDED INTO HOUSING.
- 11 NO PART NUMBER MARKING REQUIRED ON THIS PART.
- 12 CONTACT: DUPLEX PLATED: 0.76 MICROMETERS (.000030) GOLD IN CONTACT AREA, 3.81-7.62 MICROMETERS (.000150-.000300) MATTE TIN ON LEADS, ALL OVER 1.27 MICROMETERS (.000050) MINIMUM NICKEL.
- 13 ROHS 2002/95/EC COMPLIANT
- 14 OBSOLETE

THIS DRAWING IS A CONTROLLED DOCUMENT. DWG: R. BROWN, 19JAN01, DWG: J. OLSON, 19JAN01, APVD: J. OLSON, 19JAN01, NAME: [REDACTED]

TOLERANCES UNLESS OTHERWISE SPECIFIED:  
 0 PLC ± -  
 1 PLC ± -  
 2 PLC ± -  
 3 PLC ± .005  
 4 PLC ± -  
 ANGLES ± -

PRODUCT SPEC: 108-25026  
 APPLICATION SPEC: 114-25018

SCALE: 6:1, SHEET 1 OF 2, REV J6

STE TE Connectivity Ltd.  
 REC. ASSY., MOD IV, SR, .100 CL SURFACE MOUNT, VERTICAL, DUAL ENTRY CLOSED ENTRY

SIZE: A1, CAGE CODE: 00779, DRAWING NO: 147723, RESTRICTED TO: -


MATERIAL: 1, FINISH: 2, 12, CUSTOMER DRAWING

THIS DRAWING IS UNPUBLISHED. RELEASED FOR PUBLICATION  
 © COPYRIGHT - By - ALL RIGHTS RESERVED.

REVISIONS				
P	LR	DESCRIPTION	DATE	APP'D
-	-	SEE SHEET 1	-	-

120mm	99.06 [3.900]	101.6 [4.000]	40	△	△	8-147723-9
	96.52 [3.800]	99.06 [3.900]	39	△	△	8-147723-8
	93.98 [3.700]	96.52 [3.800]	38	△	△	8-147723-7
	91.44 [3.600]	93.98 [3.700]	37	△	△	8-147723-6
	88.90 [3.500]	91.44 [3.600]	36	△	△	8-147723-5
	86.34 [3.400]	88.90 [3.500]	35	△	△	8-147723-4
	83.82 [3.300]	86.34 [3.400]	34	△	△	8-147723-3
	81.28 [3.200]	83.82 [3.300]	33	△	△	8-147723-2
	78.74 [3.100]	81.28 [3.200]	32	△	△	8-147723-1
	76.20 [3.000]	78.74 [3.100]	31	△	△	8-147723-0
	73.66 [2.900]	76.20 [3.000]	30	△	△	7-147723-9
	71.12 [2.800]	73.66 [2.900]	29	△	△	7-147723-8
88mm	68.58 [2.700]	71.12 [2.800]	28	△	△	7-147723-7
	66.04 [2.600]	68.58 [2.700]	27	△	△	7-147723-6
	63.5 [2.500]	66.04 [2.600]	26	△	△	7-147723-5
	60.96 [2.400]	63.5 [2.500]	25	△	△	7-147723-4
	58.42 [2.300]	60.96 [2.400]	24	△	△	7-147723-3
72mm	55.88 [2.200]	58.42 [2.300]	23	△	△	7-147723-2
	53.34 [2.100]	55.88 [2.200]	22	△	△	7-147723-1
	50.8 [2.000]	53.34 [2.100]	21	△	△	7-147723-0
	48.26 [1.900]	50.8 [2.000]	20	△	△	6-147723-9
	45.72 [1.800]	48.26 [1.900]	19	△	△	6-147723-8
	43.18 [1.700]	45.72 [1.800]	18	△	△	6-147723-7
	40.64 [1.600]	43.18 [1.700]	17	△	△	6-147723-6
	38.1 [1.500]	40.64 [1.600]	16	△	△	6-147723-5
	35.56 [1.400]	38.1 [1.500]	15	△	△	6-147723-4
	33.02 [1.300]	35.56 [1.400]	14	△	△	6-147723-3
	30.48 [1.200]	33.02 [1.300]	13	△	△	6-147723-2
	EIA TAPE WIDTH	27.94 [1.100]	30.48 [1.200]	12	△	△
25.4 [1.000]		27.94 [1.100]	11	△	△	6-147723-0
22.86 [.900]		25.4 [1.000]	10	△	△	5-147723-9
20.32 [.800]		22.86 [.900]	9	△	△	5-147723-8
17.78 [.700]		20.32 [.800]	8	△	△	5-147723-7
15.24 [.600]		17.78 [.700]	7	△	△	5-147723-6
12.7 [.500]		15.24 [.600]	6	△	△	5-147723-5
10.16 [.400]		12.7 [.500]	5	△	△	5-147723-4
7.62 [.300]		10.16 [.400]	4	△	△	5-147723-3
5.08 [.200]		7.62 [.300]	3	△	△	5-147723-2
2.54 [.100]	5.08 [.200]	2	△	△	5-147723-1	

9 1/16" OBSOLETE

THIS DRAWING IS A CONTROLLED DOCUMENT.		DWR R BROWN 19JAN01	19JAN01		 TE Connectivity Ltd.
DIMENSIONS: mm [INCHES]		DW J OLSON 19JAN01	19JAN01		
TOLERANCES UNLESS OTHERWISE SPECIFIED:		APVD J OLSON 19JAN01		NAME	
0 PLC ± .005		PRODUCT SPEC		REC. ASSY., MOD IV, SR, .100 CL	
1 PLC ± .005		APPLICATION SPEC		SURFACE MOUNT, VERTICAL DUAL ENTRY	
2 PLC ± .005		114-25018		CLOSED ENTRY	
3 PLC ± .005		WEIGHT		RESTRICTED TO	
4 PLC ± .005		A1 00779		C=147723	
ANGLES ± .005		SCALE		SHEET	
FINISH		5:1		2 OF 2	
MATERIAL		CUSTOMER DRAWING		REV J6	