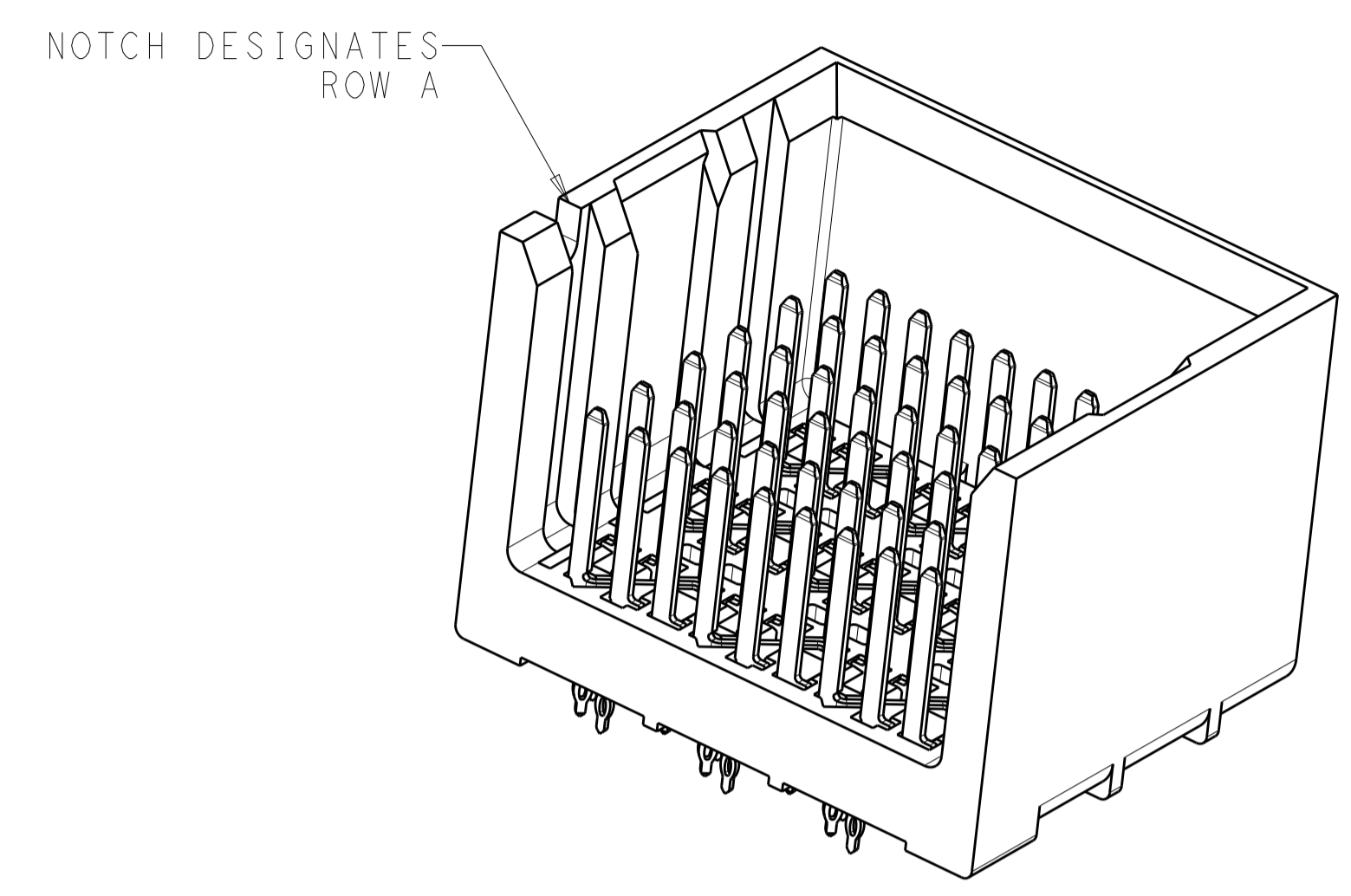
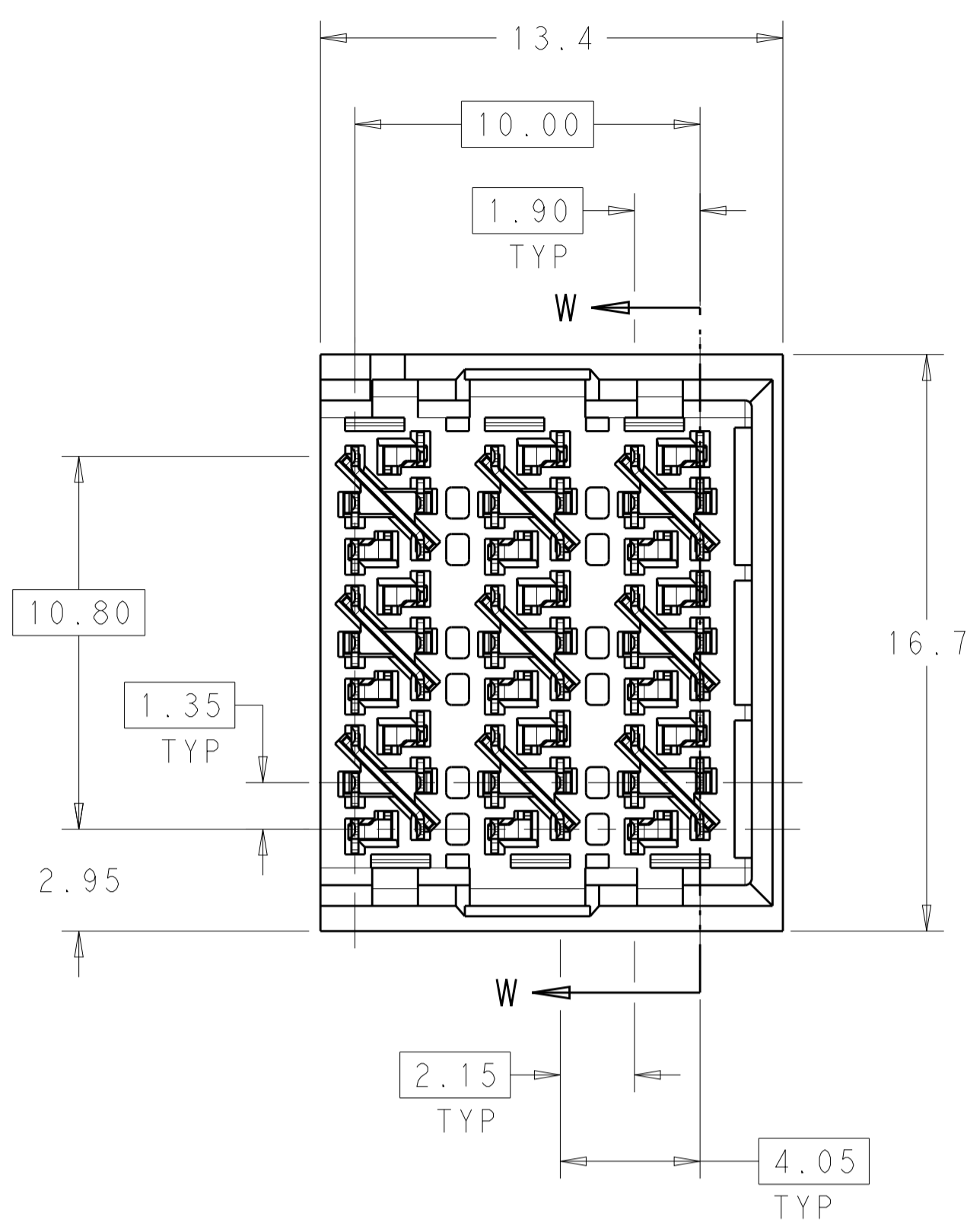
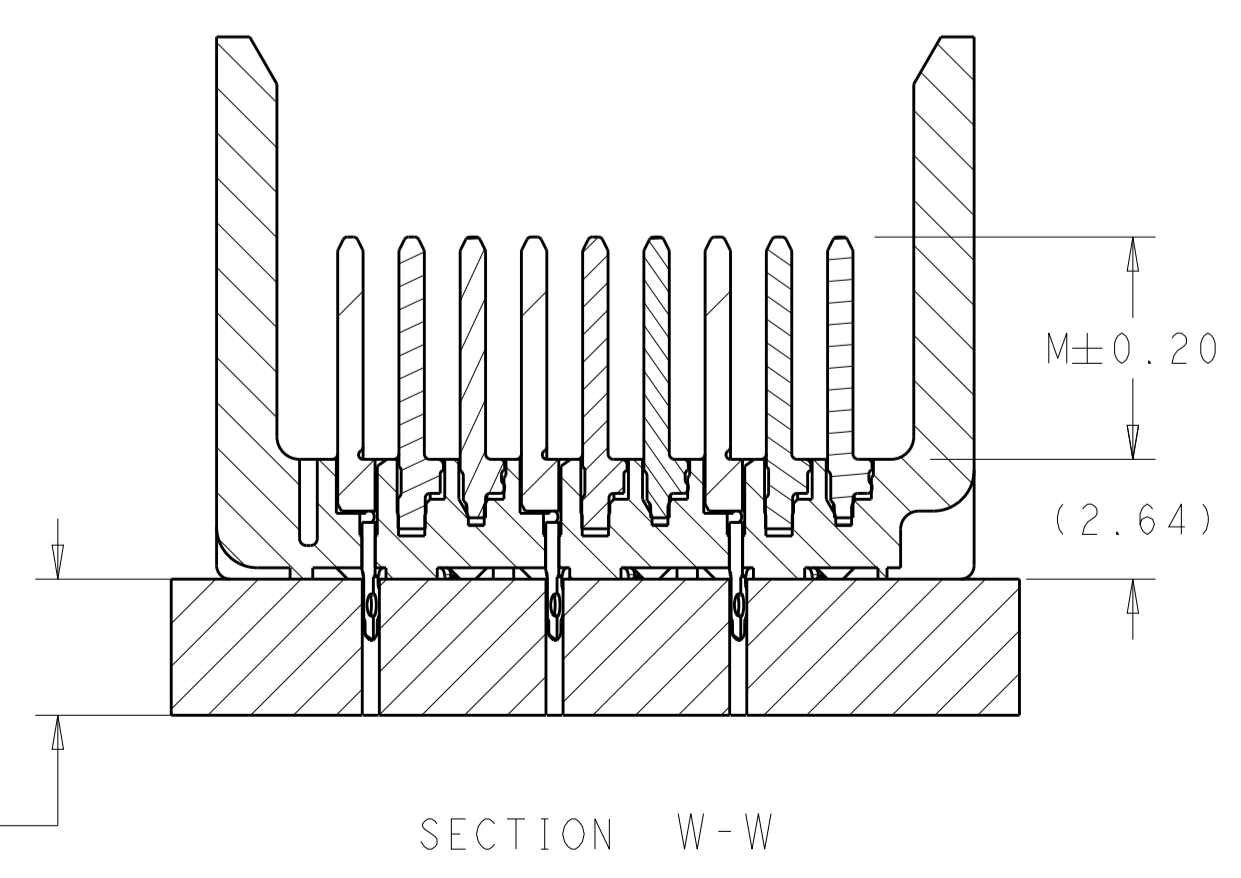
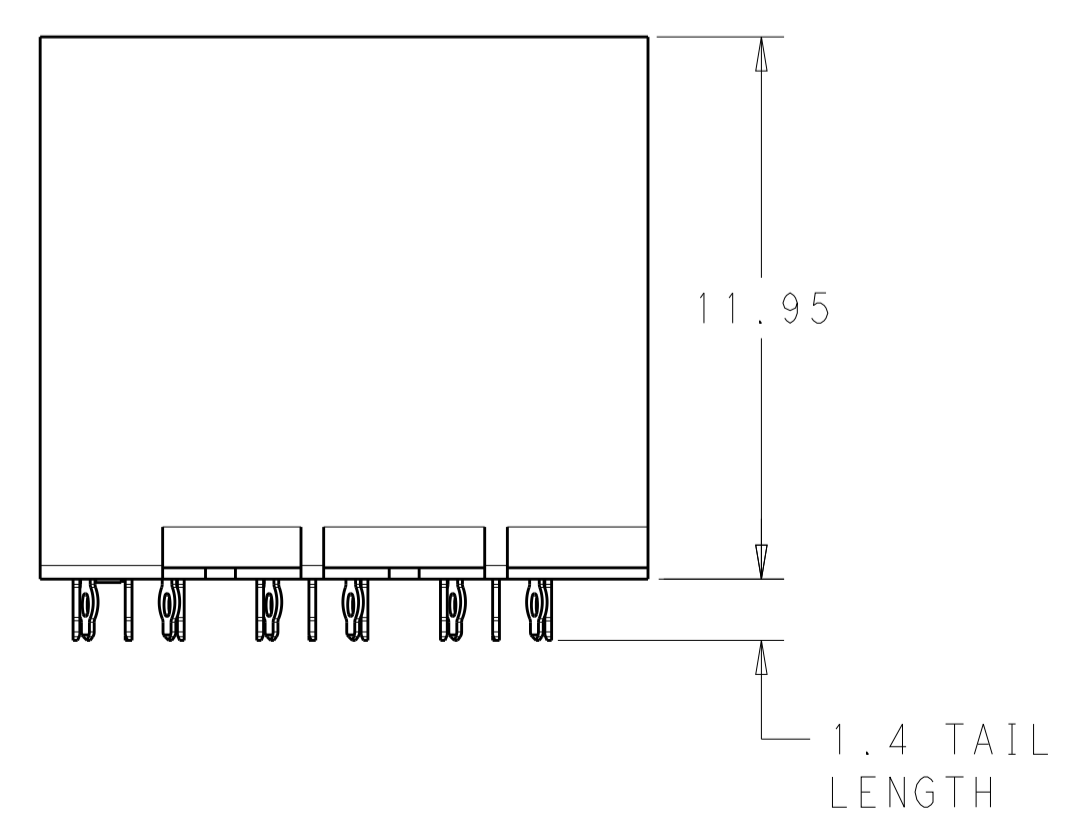
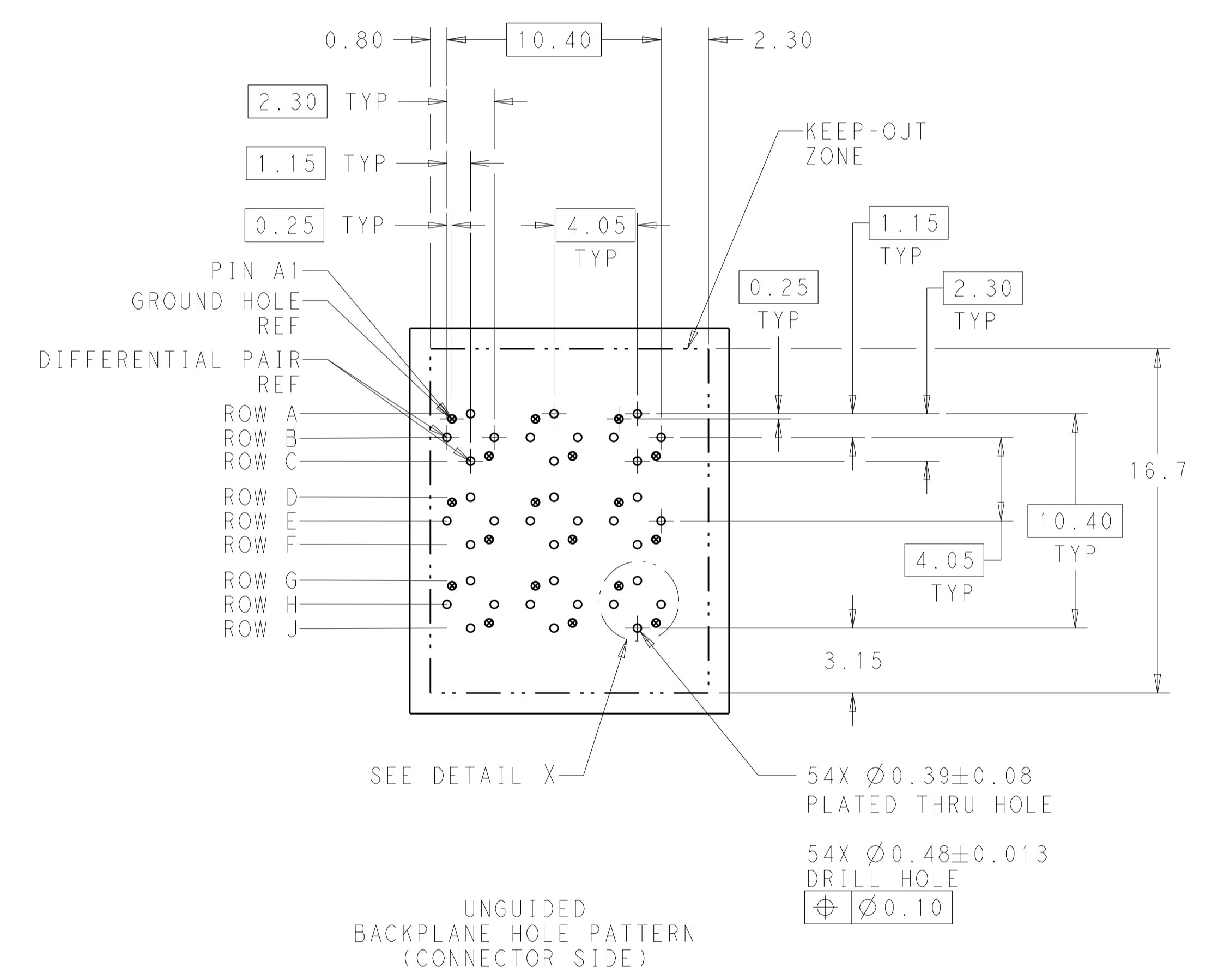
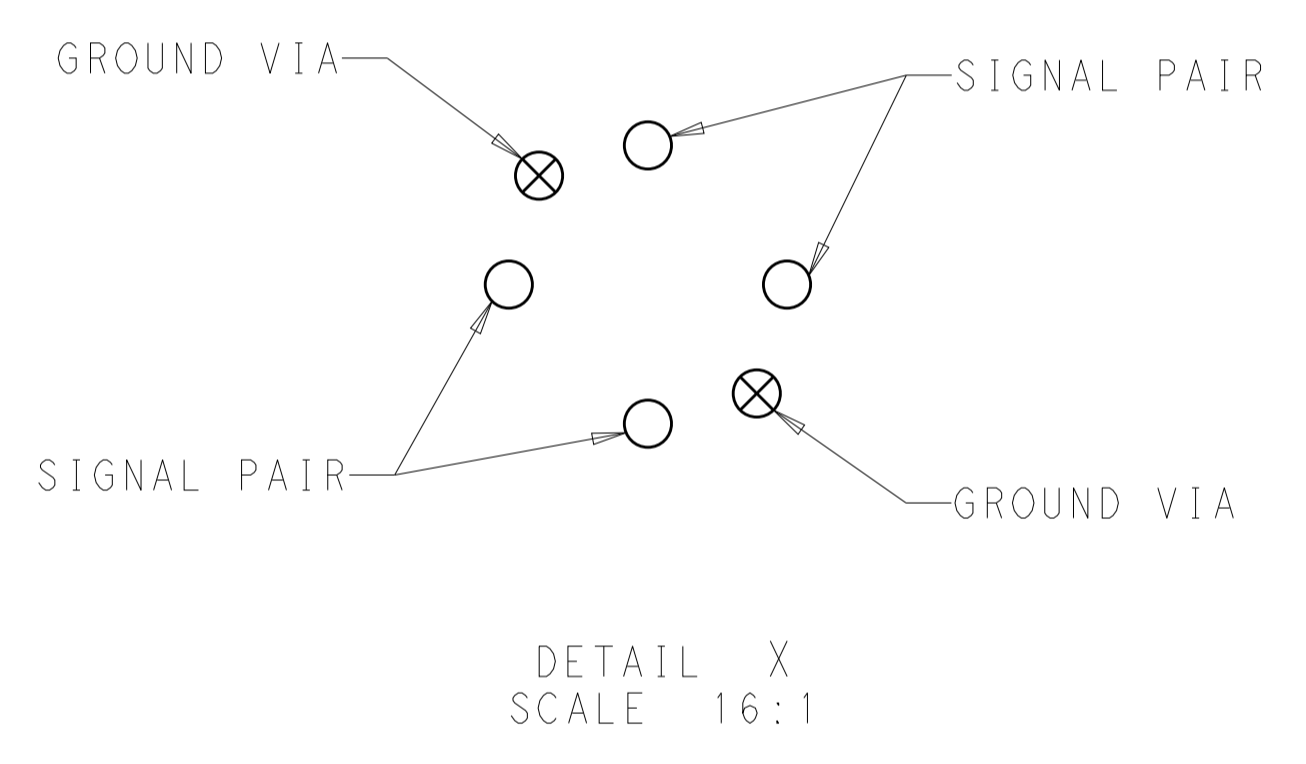


LOC	DIST	REVISIONS					
		P	LTN	DESCRIPTION	DATE	DWN	APVD
AD	00	C1		REVISED PER ECO-15-001489	30JAN2015	AP	DD



- 1 MATERIAL:
HOUSING: LCP, GLASS FILLED, UL94V-0.
TERMINALS: HIGH PERFORMANCE COPPER ALLOY.
- 2 FINISH:
30μ" MIN GOLD IN CONTACT AREA. SELECTIVE TIN ON PCB TAILS, NICKEL OVERALL.



REFER TO WWW.TE.COM FOR PRODUCT AVAILABILITY

2	5.5	PART_NO: 19-2
2	4.9	PART_NO: 19-1
FINISH	DIM M	PART NUMBER

THIS DRAWING IS A CONTROLLED DOCUMENT.		DWN: RIRAN HOLAL 15MAY2013	TE Connectivity
DIMENSIONS: mm		CHK: D. DIXON 15MAY2013	
TOLERANCES UNLESS OTHERWISE SPECIFIED:		APVD: D. DIXON 15MAY2013	NAME: IMPACT, ORTHOGONAL, 3 PAIR, 6 COLUMN HEADER, UNGUIDED, RIGHT END WALL SIGNAL MODULE, 0.39 PTH
0 PLC ±		PRODUCT SPEC	
1 PLC ±0.25		APPLICATION SPEC	SIZE: CAGE CODE DRAWING NO. RESTRICTED TO A100779C=2132568
2 PLC ±0.13		WEIGHT	
3 PLC ±		Customer Drawing	SCALE 6:1 SHEET 1 OF 1 REV C1
4 PLC ±			
ANGLES ±			
MATERIAL			
FINISH SEE TABLE			

Mouser Electronics

Authorized Distributor

Click to View Pricing, Inventory, Delivery & Lifecycle Information:

[TE Connectivity:](#)

[2132568-1](#)