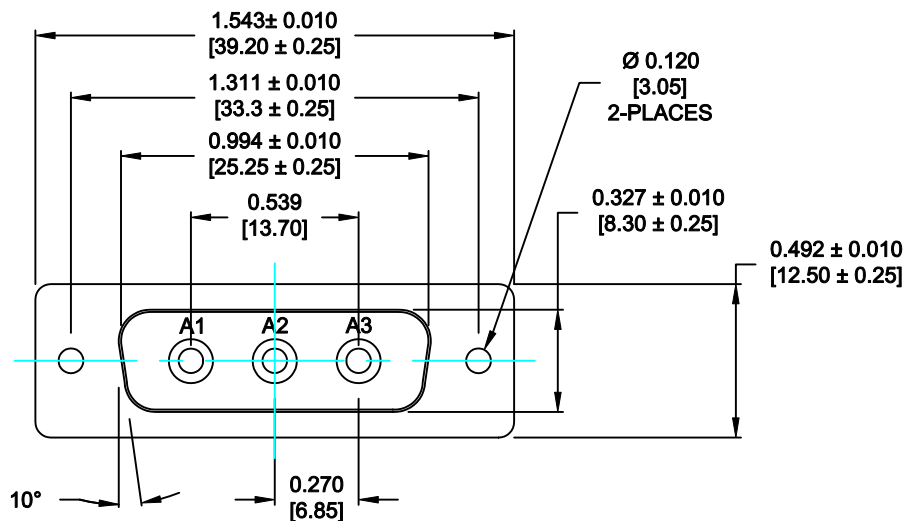


DESCRIPTION: POWER - SOLDER CUP - MALE - MACHINED - SEALED



**SPECIFICATIONS:**

**ELECTRICAL:**

INSULATOR RESISTANCE: 5 GOHMS Min.  
 DIELECTRIC WITHSTANDING: 1,000VAC r.m.s.  
 OPERATING TEMPERATURE: -55° C ~ +155° C  
 CONTACT RESISTANCE: 1.0 MillioHMS Max.  
 POWER PINS: SEE PART No. BELOW

**MECHANICAL:**

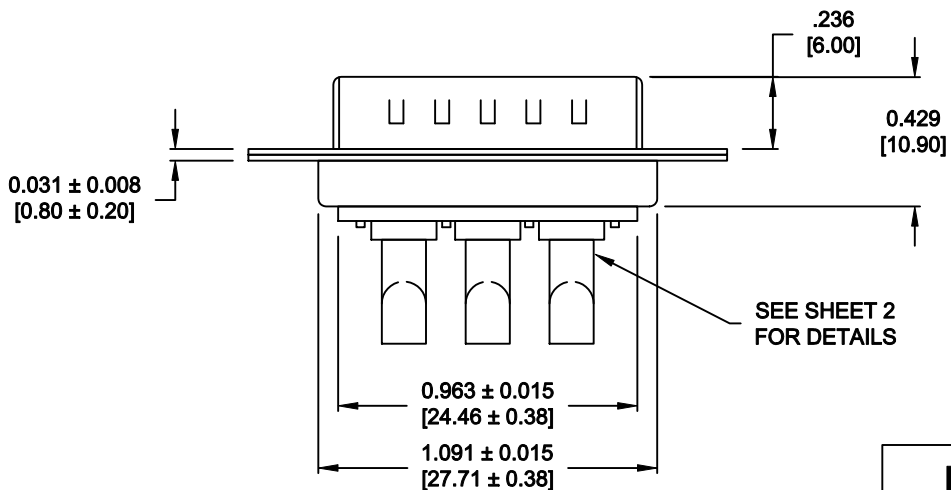
CONTACT INSERTION FORCE: 4.5 Kg Max.  
 CONTACT SEPARATOR FORCE: 0.3Kg Min.

**MATERIALS:**

CONTACTS: COPPER ALLOY  
 INSULATOR: PBT UL94V-0 RATED, BLK 230°C PROCESS TEMP.  
 SHELL: STEEL  
 SEAL: F08 FLEXIBLE ADHESIVE

**FINISH:**

SHELL: NICKEL  
 CONTACTS: FULL GOLD FLASH




**680S3W3103LYY1**

20 = 20 AMPS  
 40 = 40 AMPS

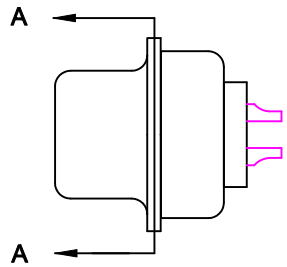
**MEETS IP67 STANDARDS**

(SEE PAGE 2 FOR SEALING DETAILS)

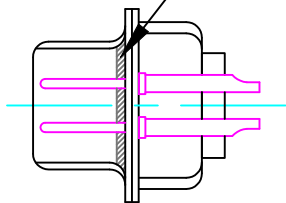
**RoHS COMPLIANT**

	THESE DRAWINGS AND SPECIFICATIONS ARE THE PROPERTY OF NorComp AND SHALL NOT BE REPRODUCED, COPIED OR USED AS THE BASIS FOR THE MANUFACTURE OF SALE OF APPARATUS WITHOUT WRITTEN PERMISSION.		DRAWN: <b>P. JENKINS</b>	DATE: <b>09-13-11</b>
			CHECKED: <b>X</b>	DATE: <b>X</b>
<h1>NorComp</h1>		SCALE: <b>N.T.S.</b>	SHEET OF <b>1 2</b>	REV <b>0</b>
		DWG NO. <b>680S3W3103LYY1</b>		

DESCRIPTION: 680 SERIES CONTACTS

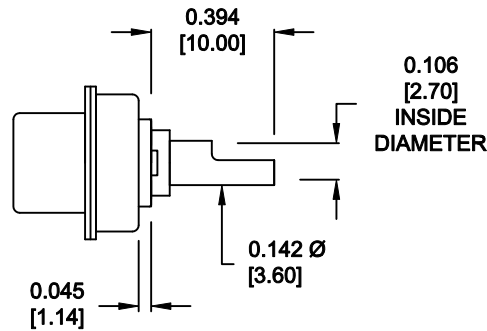


FRONT SEAL APPLIED OVER INSULATOR AND BETWEEN FRONT & REAR SHELLS

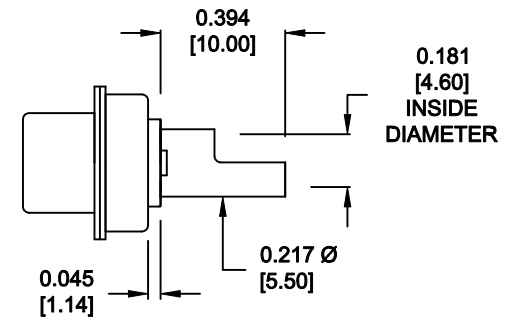


DETAIL A-A  
SHOWN FOR REFERENCE ONLY

NOTE:  
POWER CONTACTS COME  
PRE-LOADED INTO INSULATORS




20 AMP POWER CONTACTS  
ACCEPTS UP TO 12 AWG WIRE



40 AMP POWER CONTACTS  
ACCEPTS UP TO 8 AWG WIRE

RoHS COMPLIANT

	THESE DRAWINGS AND SPECIFICATIONS ARE THE PROPERTY OF NorComp AND SHALL NOT BE REPRODUCED, COPIED OR USED AS THE BASIS FOR THE MANUFACTURE OF SALE OF APPARATUS WITHOUT WRITTEN PERMISSION.		DRAWN: <b>P. JENKINS</b>	DATE: <b>09-13-11</b>
			CHECKED: <b>X</b>	DATE: <b>X</b>
NorComp		SCALE: <b>N.T.S.</b>	SHEET OF <b>2 2</b>	REV <b>0</b>
		DWG NO. <b>680S3W3103LYY1</b>		

# Mouser Electronics

Authorized Distributor

Click to View Pricing, Inventory, Delivery & Lifecycle Information:

[NorComp:](#)

[680S3W3103L201](#) [680S3W3103L401](#)