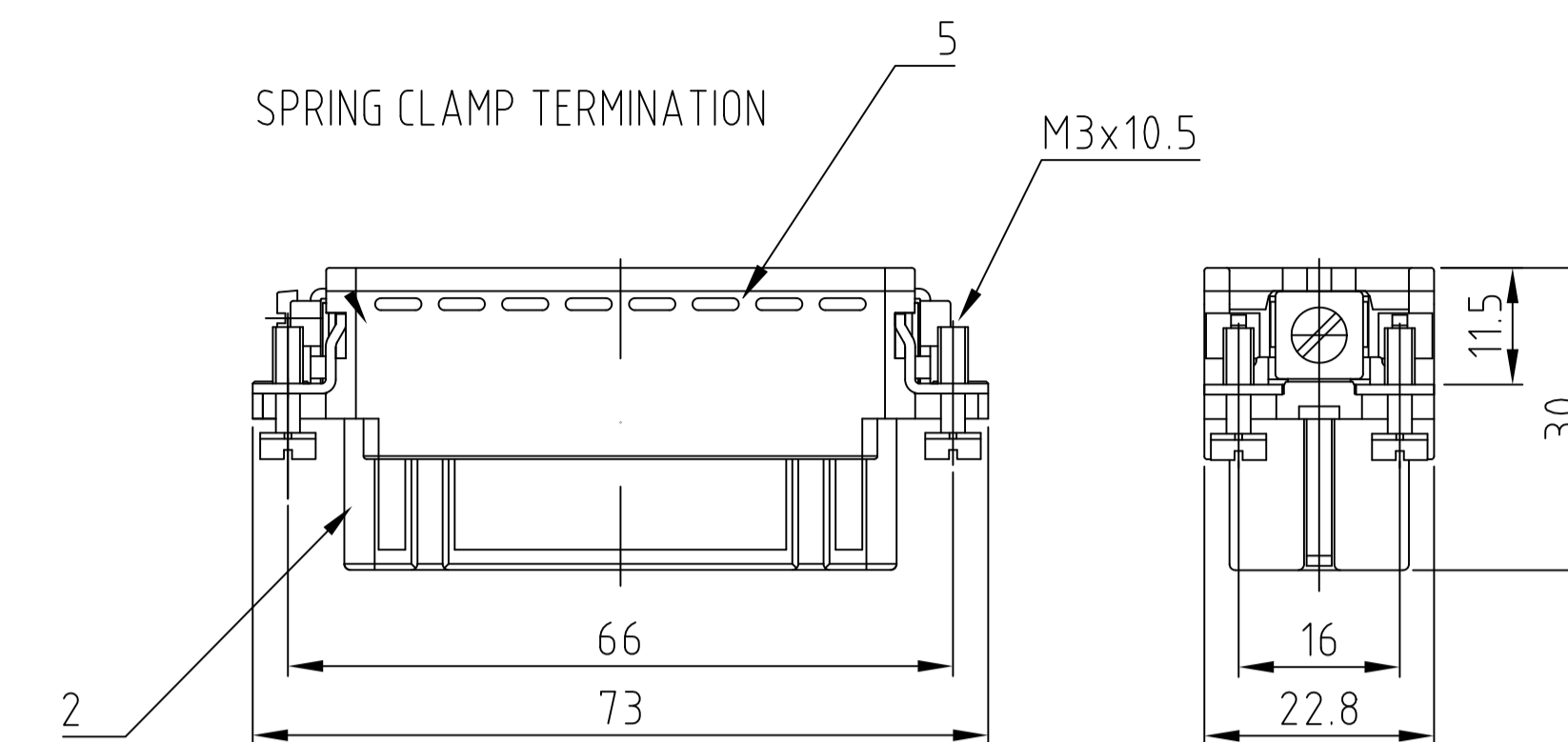
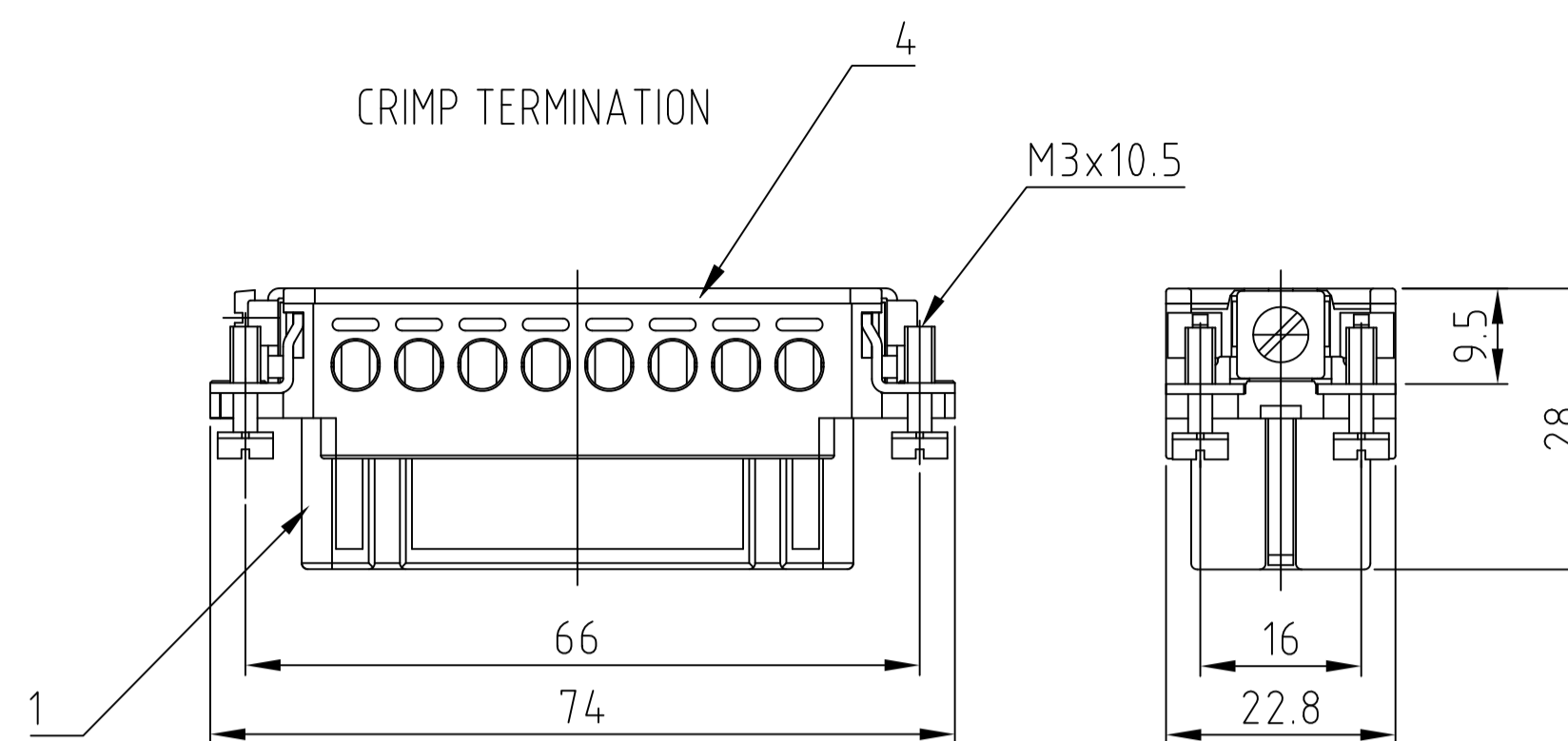
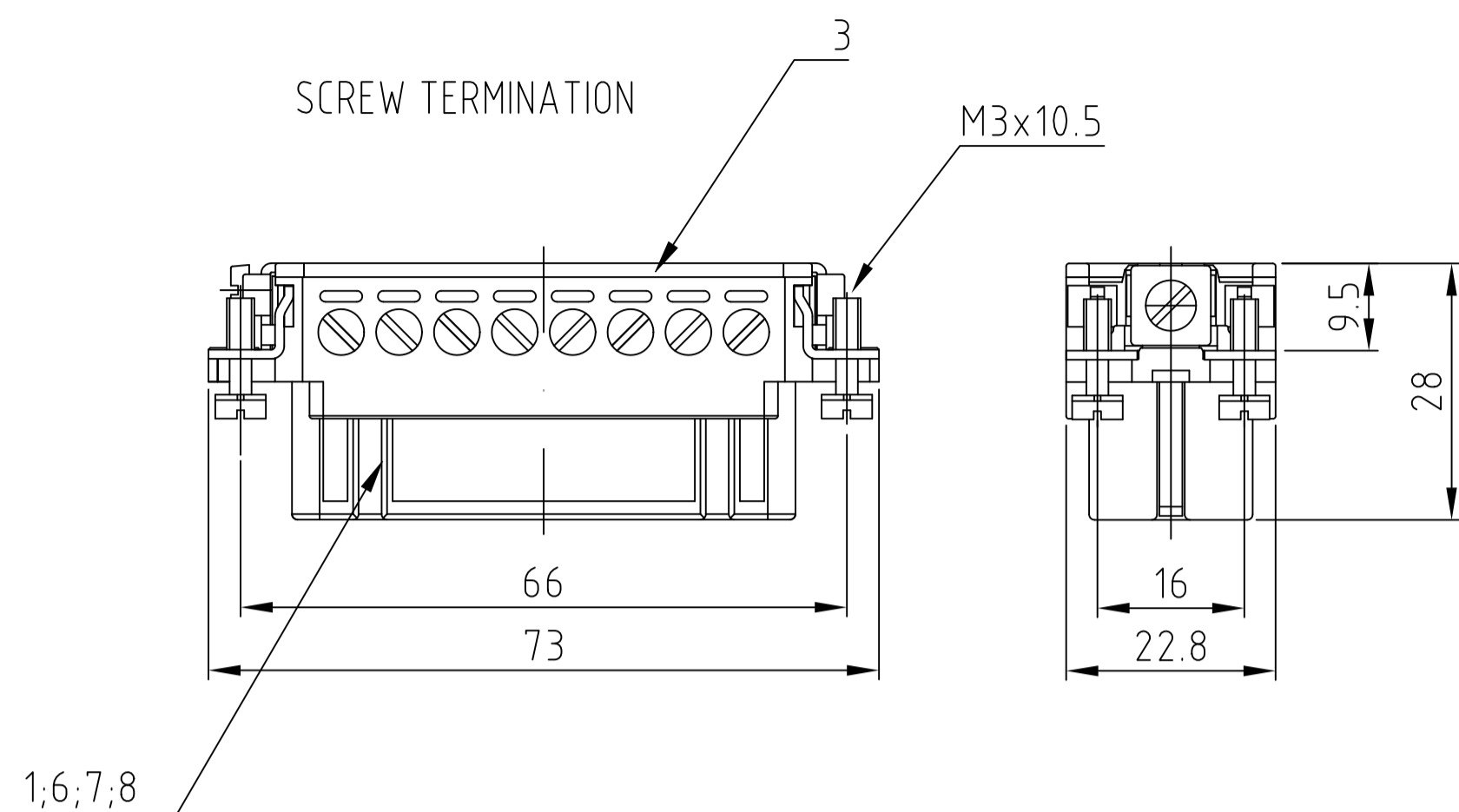
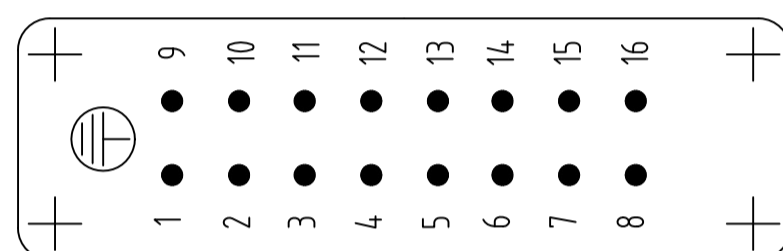


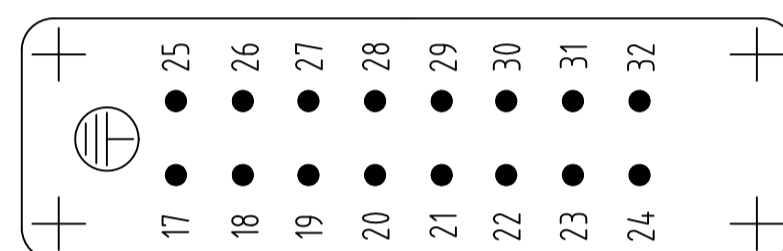
REVISIONS ÄNDERUNGEN				DATE	DWN	APVD
P	LTR	DESCRIPTION BESCHREIBUNG				
	D5	ECR-17-009069		09FEB2018	SG	MKO



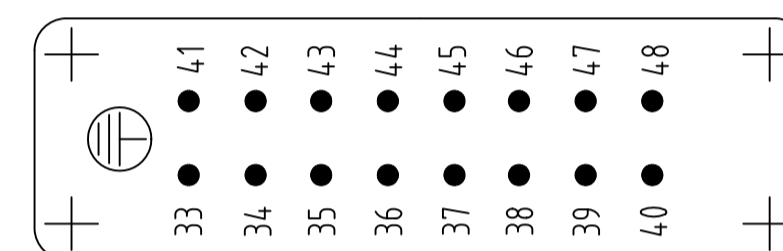
Contact arrangement / view from termination side



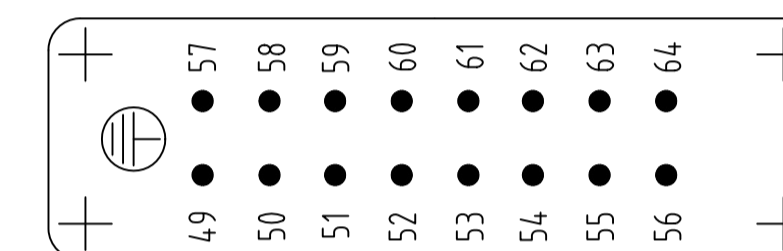
Contact arrangement / view from termination side



Contact arrangement / view from termination side



Contact arrangement / view from termination side

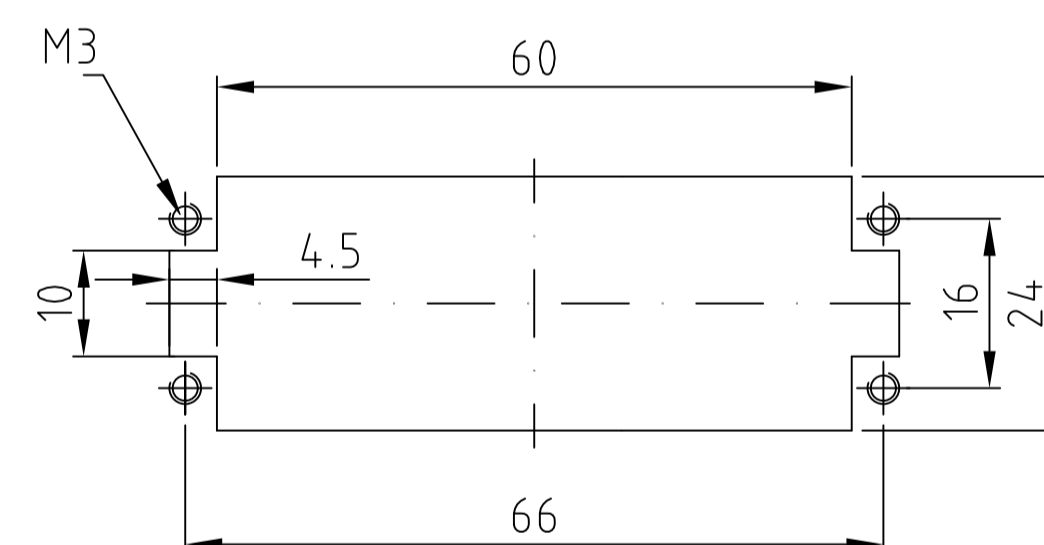


NOTES:

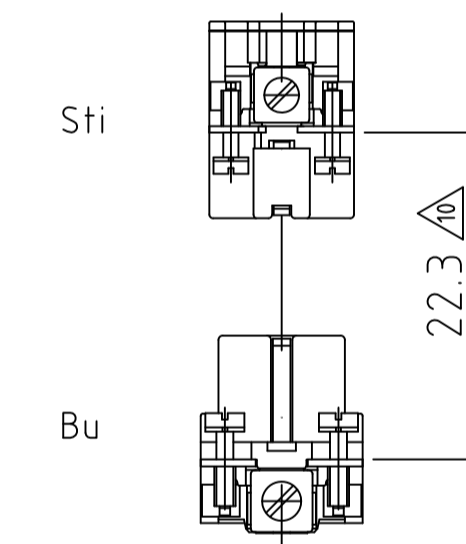
- 1 SUITABLE CRIMP CONTACTS: SERIES HE/HA
OUTER DIMENSIONS OF INSULATION: MAX. Ø3,2 MM
- 2 SUITABLE HOOD SIZE 5; 7; 9; 11: SERIES HA; HD
SUITABLE INSERTION AND EXTRACTION TOOL:
SCREWDRIVER 0,5x3 DIN 5264
- 3 Strip length: Screw conection 10mm
Spring clamp conection 10mm Crimp conection 7.5mm
- 4 STANDARDS:
DIN EN 61984; DIN EN 60664-1

- △ PACKAGING:
5 SETS IN A CARTON, PRE-MOUNTED
- △ SPECIAL PACKAGING: Krauss-Maffei
PACKAGING UNIT: 300 PIECES
- △ SPECIAL PACKAGING: Krauss-Maffei
PACKAGING UNIT: 150 PIECES
- △ SPECIAL PACKAGING: AIS
PACKAGING UNIT: 250 PIECES
- △ SPECIAL PACKAGING: WIELAND
PACKAGING UNIT: 100 PIECES

Panel cut-out for contact insert when used without housing



Assembling instruction



△ DISTANCE FOR SAFETY
CONTACT MARKING MAX. 24 mm

1-3	1-2	1-0	0-7	0-4	0-6	0-5	2-9	1-9	7-9	7-8	1-8	2-8	1-7	7-7	2-7	7-1	2-3	1-1	DESCRIPTION / BENENNUNG	MATERIAL	COLOR / FARBE	ITEM NO. POS.	REMARKS / BEMERKUNGEN							
																			Socket insert screw	PBT	light beige	8	with stainless steel-fixing screw							
																			Socket insert screw	PBT	light beige	7	with stainless steel-fixing screw							
																			Socket insert screw	PBT	light beige	6	with AU contact							
																			Cover	PBT	light beige	5								
																			Cover	PBT	light beige	4								
																			Cover	PBT	light beige	3								
																			Socket insert spring clamp	PBT	light beige	2								
																			Socket insert crimp screw	PBT	light beige	1								
HA-16.Bu.S.B1-16.WIE	HA-16.Bu.S.B1-16.AIS	HA-16.Bu.S.B17-32.KM	HA-16.Bu.S.B1-16.KM	HA-16.Bu.S.VA-B 1-16	HA-16.Bu.S.VA-B 17-32	HA-16.Bu.S.AU-B 1-16	HA-16.Bu.C.B 4.9-6.4	HA-16.Bu.S.B 4.9-6.4	HA-16.Bu.S.C.B 4.9-6.4	HA-16.Bu.S.C.B 3.3-4.8	HA-16.Bu.S.B 3.3-4.8	HA-16.Bu.C.B 3.3-4.8	HA-16.Bu.S.B 17-32	HA-16.Bu.S.C.B 17-32	HA-16.Bu.C.B 17-32	HA-16.Bu.S.C.B 1-16	HA-16.Bu.C.B 1-16	HA-16.Bu.S.B 1-16	THIS DRAWING IS A CONTROLLED DOCUMENT. DIESE ZEICHNUNG IST EIN KONTROLLIERTES DOKUMENT.	DWN Schneider 09.02.2000 CHK Schweiger 09.02.2000	 TE Connectivity									
DIMENSIONS: MASSENHEITEN: mm																			TOLERANCES UNLESS OTHERWISE SPECIFIED: ALLGEMEINTOLERANZEN											
MATERIAL																			FINISH/OBERFLÄCHE/FARBE											
ORDERING TEXT / BESTELLTTEXT																			0 PLC 1 PLC 2 PLC 3 PLC 4 PLC ANGLES / WINKEL FINISH/OBERFLÄCHE/FARBE				PRODUCT SPEC PRODUKTSPEZ. 108-74007 APPLICATION SPEC VERARBEITUNGSSPEZ. 114-74009				NAME Female insert HA.16.BU.C/S			
CUSTOMER DRAWING / KUNDENZEICHNUNG																			SCALE MASSTAB 1:1				SHEET BLATT 1 OF VON 1				REV D5			

1103417

Mouser Electronics

Authorized Distributor

Click to View Pricing, Inventory, Delivery & Lifecycle Information:

[TE Connectivity:](#)

[1-1103417-1](#)