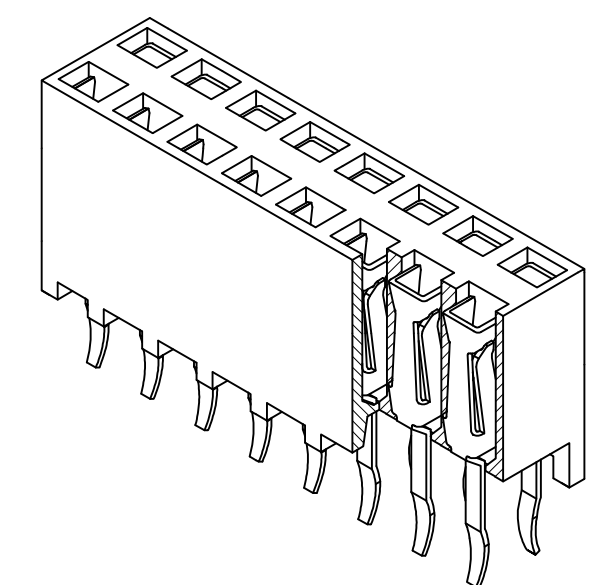
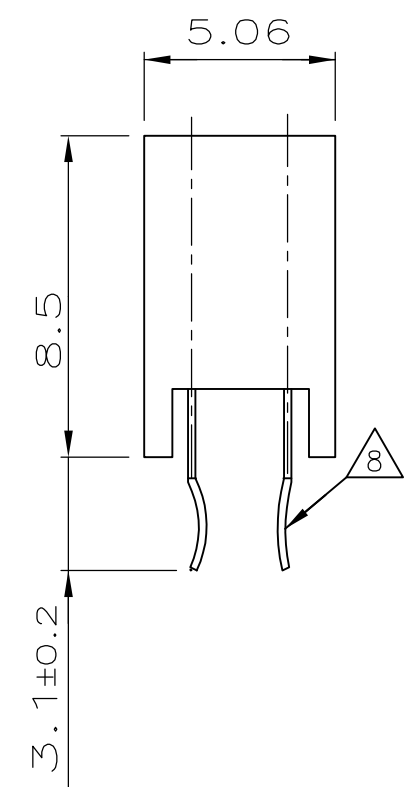
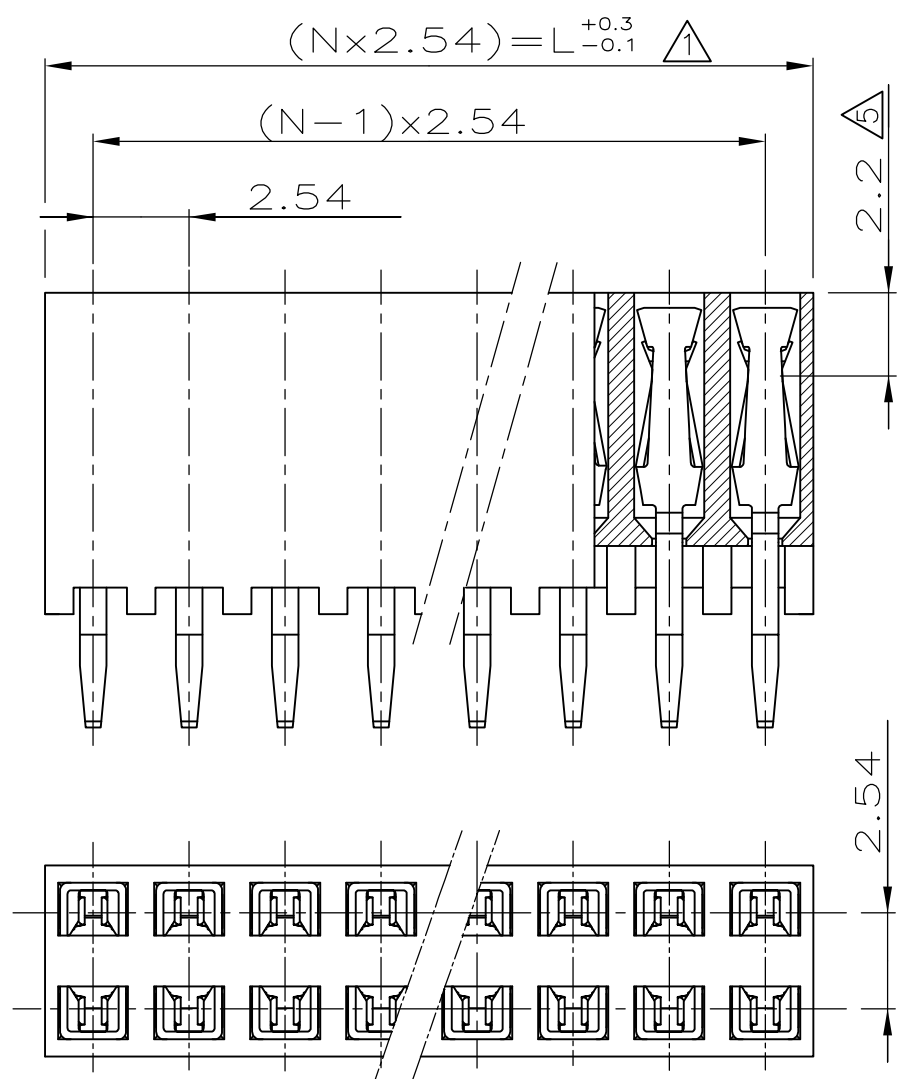


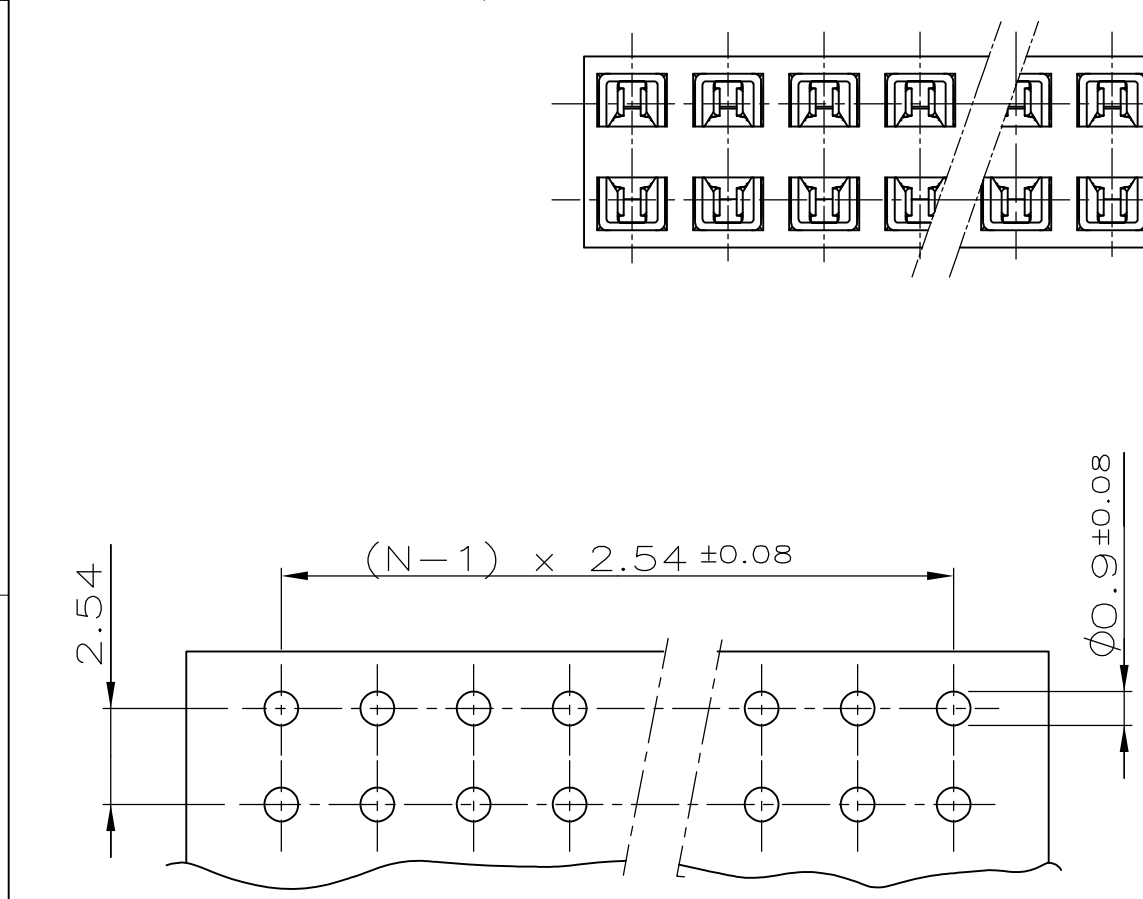
THIS DRAWING IS UNPUBLISHED. RELEASED FOR PUBLICATION  
 © COPYRIGHT - By - ALL RIGHTS RESERVED. METRIC

REVISIONS		DATE	DWN	APVD
P	LTR	DESCRIPTION		
E		END STAND OFF WIDTH INCREASED	07JAN2016	KJK PS

POS. PER ROW 'N'	L	PART NUMBER
2	5.08	215309-2
3	7.62	-3
4	10.16	-4
5	12.70	-5
6	15.24	-6
7	17.78	-7
8	20.32	-8
9	22.86	-9
10	25.40	1-0
11	27.94	1-1
12	30.48	1-2
13	33.02	1-3
14	35.56	1-4
15	38.10	1-5
16	40.64	1-6
17	43.18	1-7
18	45.72	1-8
19	48.26	1-9
20	50.80	2-0
21	53.34	2-1
22	55.88	2-2
23	58.42	2-3
24	60.96	2-4
25	63.50	2-5
26	66.04	2-6
27	68.58	2-7
28	71.12	2-8
29	73.66	2-9
30	76.20	3-0
31	78.74	3-1
32	81.28	3-2
33	83.82	3-3
34	86.36	3-4
35	88.90	3-5
36	91.44	3-215309-6



- NOTES:
- TO DETERMINE DIMENSIONS TAKE  $2 \times N = \text{NR. OF POS.}$ . FOR EXAMPLE:  $2 \times 10 \text{ POS.} : N \times 2,54 = 25,4 \text{ mm.}$  FOR ORDER NR. USE BASIC NR. + NR. OF POS. FOR EXAMPLE:  $2 \times 2 \text{ POS.} = 215\ 309-2$  (SHORTEST VERSION)  $2 \times 36 \text{ POS.} = 3-215\ 309-6$  (LONGEST VERSION)
  - HOUSING MATERIAL: GREEN GLASSFILLED POLYESTER, UL 94V-0  
CONTACT MATERIAL: PHOSPHOR BRONZE.
  - PLATING: UNDERCOATING:  $1,3\ \mu\text{m Ni.}$   
AT CONT.PLACE:  $0,8\ \mu\text{m Au.}$   
AT SOLDER-TYNES: MIN.  $2,5\ \mu\text{m Sn.}$
  - MATES WITH 0,63 SQUARE/ROUND MODU POSTS.
  - CONTACT-POINT.
  - RECOMMENDED P.C.BOARD-THICKNESS: 1,6.
  - RETENTION FEATURE.
  - HV100 CONNECTOR PACKED IN ANTISTATIC BLISTER
  - OBSOLETE PARTS: OBSOLETE CIS STREAMLINING PER D.RENAUD/D.SINISI
  - OBSOLETE



P.C.-BOARD HOLE-PATTERN

THIS DRAWING IS A CONTROLLED DOCUMENT.		DWN L.V.D.HEYDEN 09.07.86	TE Connectivity	
DIMENSIONS: mm		CHK W.SIMONS		
TOLERANCES UNLESS OTHERWISE SPECIFIED: ±0.15		APVD L.v.SOEST	HV 100 VERTICAL CONNECTOR	
0 PLC ± - 1 PLC ± - 2 PLC ± - 3 PLC ± - 4 PLC ± - ANGLES ± -		PRODUCT SPEC 108-19056	DUAL ROW, 8,5mm HEIGHT, TOP ENTRY, GOLD, MAX. 2X36 POSITIONS	
MATERIAL SEE NOTES		FINISH SEE NOTES	SIZE A3	CAGE CODE 00779
		WEIGHT -	DRAWING NO C-215309	RESTRICTED TO -
CUSTOMER DRAWING			SCALE 5:1	SHEET 1 OF 1
			REV E	

# Mouser Electronics

Authorized Distributor

Click to View Pricing, Inventory, Delivery & Lifecycle Information:

[TE Connectivity:](#)

[215309-2](#)