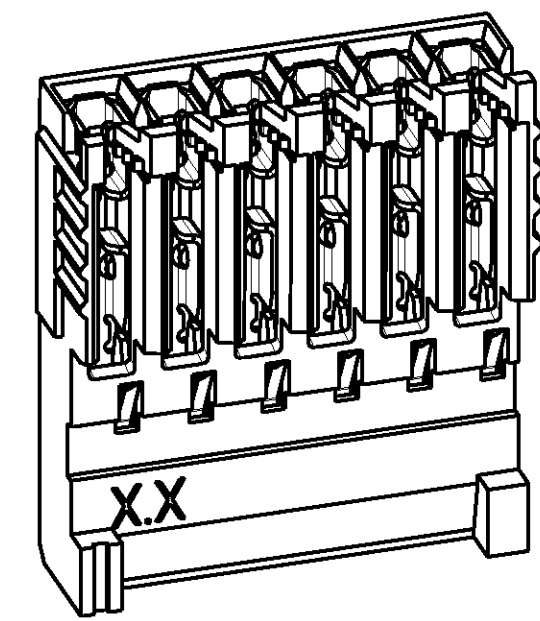
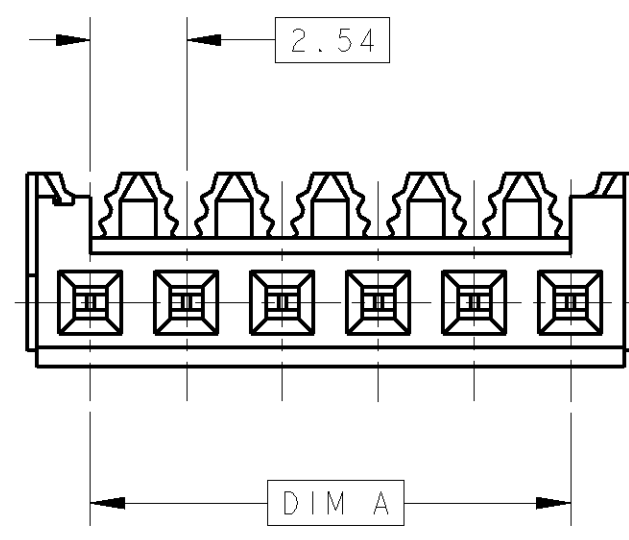


THIS DRAWING IS UNPUBLISHED.  
 DIFFUSION RESTREINTE  
 © COPYRIGHT BY

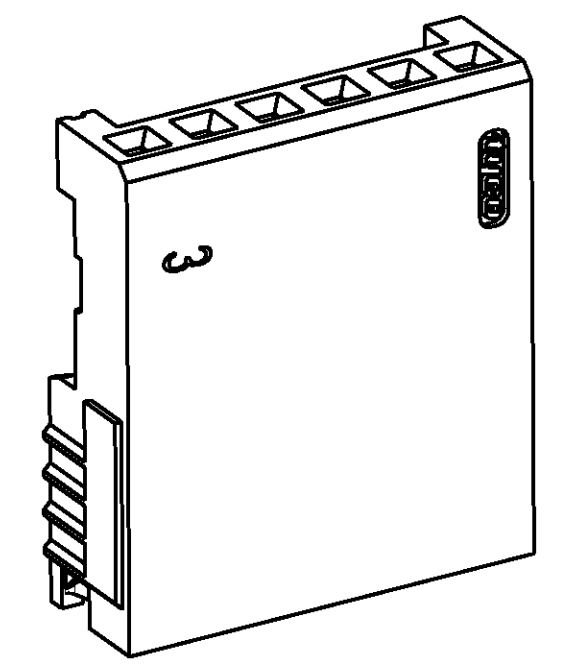
RELEASED FOR PUBLICATION  
 LIBRE A LA DIFFUSION  
 ALL RIGHTS RESERVED.  
 TOUS DROITS RESERVES

|   |                                   |
|---|-----------------------------------|
| FILS ADMISSIBLES (ACCEPTABLES WIRES)                |                                   |
| JAUGE (AWG)<br>SECTION / 7 BRINS (7 STRANDS)        | 28-26<br>0.08-0.12mm <sup>2</sup> |
| ISOLANT: Ø MAX / MATIERE<br>(INSUL.: Ø MAX / MAT'L) | Ø 1 / PVC                         |

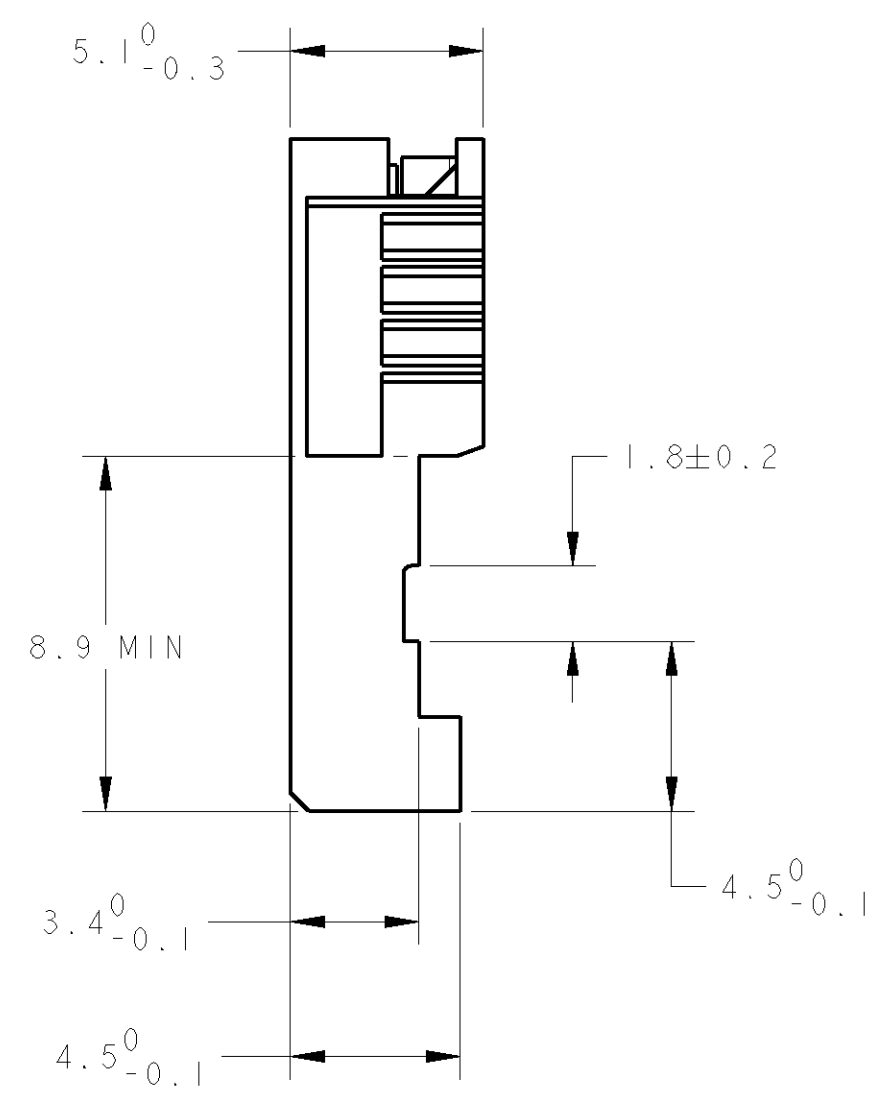
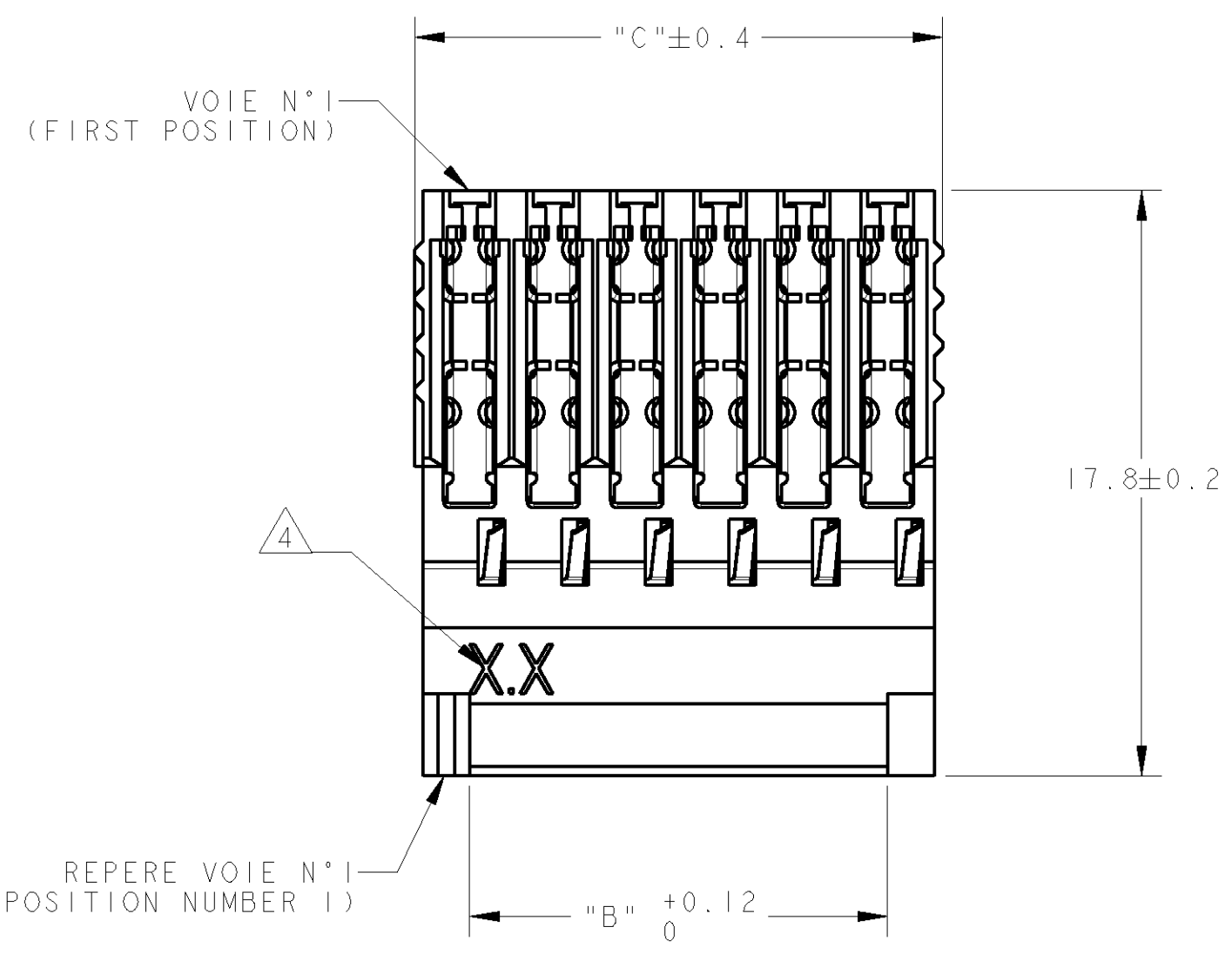
|     |      |           |     |                              |         |              |              |
|-----|------|-----------|-----|------------------------------|---------|--------------|--------------|
| LOC | DIST | REVISIONS |     |                              |         |              |              |
| F   | 7    | P         | LTR | DESCRIPTION<br>MODIFICATIONS | DATE    | DWN<br>DESS. | APVD<br>APP. |
|     |      | C1        |     | REVISED PER ECO-11-005150    | 28APR11 | RK           | HMR          |



SCALE 4:1



SCALE 4:1



- |   |   |  |
|---|---|--|
| 1 | CES CONNECTEURS SONT PREVUS POUR ETRE ACCOUPLES AVEC LES EMBASES 'HE1402' SIMPLE RANGEE | (THESE CONNECTEURS ARE DESIGNED TO BE MATED WITH 'HE1402' HEADERS SINGLE ROW)        |
| 2 | LES REFERENCES SUIVIES D'UN ' * ' SONT LES VERSIONS NORMALISEES SELON LA 'CEI 603-8'    | (THE PART-NO FOLLOWED BY ' * ' ARE COVERED BY THE INTERNATIONAL STANDARD 'IEC603-8') |
| 3 | REVETEMENT DES CONTACTS: ETAME  | (CONTACTS PLATING: TIN)  |
| 4 | 8.6 SIGNIFIE JAUGE 28-26  | 8.6 REFERS TO 28-26 AWG  |
| 5 | MATIERES - BOITIER: PBT UL94V0, BLEU<br>- CONTACTS: BRONZE PHOSPHOREUX.                 | (MATERIAL - HOUSING: PBT UL94V0, COLOR BLUE<br>- CONTACTS: PHOSPHOR BRONZE)          |

|            |       |           |                      |   |
|------------|-------|-----------|----------------------|---|
| 46.52      | 43.18 | 18        | 1-281786-8           | * |
| 38.90      | 35.56 | 15        | 1-281786-5           | * |
| 31.28      | 27.94 | 12        | 1-281786-2           | * |
| 26.20      | 22.86 | 10        | 1-281786-0           | * |
| 21.12      | 17.78 | 8         | 0-281786-8           | * |
| 16.04      | 12.70 | 6         | 0-281786-6           | * |
| 13.50      | 10.16 | 5         | 0-281786-5           | * |
| 10.96      | 7.62  | 4         | 0-281786-4           | * |
| 8.42       | 5.08  | 3         | 0-281786-3           | * |
| 5.88       | 2.54  | 2         | 0-281786-2           | * |
| C          | A, B  | Nb DE POS | REFERENCES (PART No) |   |
| DIMENSIONS |       |           |                      |   |

|  |  |  |                              |
|--|--|--|------------------------------|
| DWN/DESSINE 29NOV2000<br>C. COMBEDOUZON<br>CHK/VERIFIE 29NOV2000<br>T. CORRIOU<br>APVD/APPROUVE 29NOV2000<br>Y. PETRONIN                                       |  | <b>TE</b> TE Connectivity  |                              |
| DIMENSIONS: mm   |  | NAME/TITRE<br>HE 1402 PLUG,<br>180° IDC SINGLE ROW   |                              |
| TOLERANCES UNLESS OTHERWISE SPECIFIED: (SUIV NB DE DECIMALES)<br>0 PLC/DEC: ±<br>1 PLC/DEC: ±0.3<br>2 PLC/DEC: ±<br>3 PLC/DEC: ±<br>4 PLC/DEC: ±<br>ANGLES ±5° |  | PRODUCT SPEC<br>SPEC, PRODUIT<br>108-15053<br>APPLICATION SPEC<br>SPEC, APPLICATION<br>114-15031 |                              |
| MATERIAL/MATIERE   |  | WEIGHT<br>MASSE APPROX. -  | RESTRICTED TO RESERVE A      |
| FINISH/FINITION  |  | SIZE FORMAT<br>A2  | CAGE CODE<br>00779           |
|  |  | DRAWING NO<br>No PLAN<br>C-281786  | UNIFORMITY<br>POUR REFERENCE |
|  |  | CUSTOMER DRAWING /PLAN CLIENT  | SCALE<br>ECHELLE 5:1         |
|  |  | SHEET<br>FEUILLE   | OF<br>DE                     |
|  |  | REV<br>C1  |                              |

# Mouser Electronics

Authorized Distributor

Click to View Pricing, Inventory, Delivery & Lifecycle Information:

[TE Connectivity:](#)

[281786-3](#)