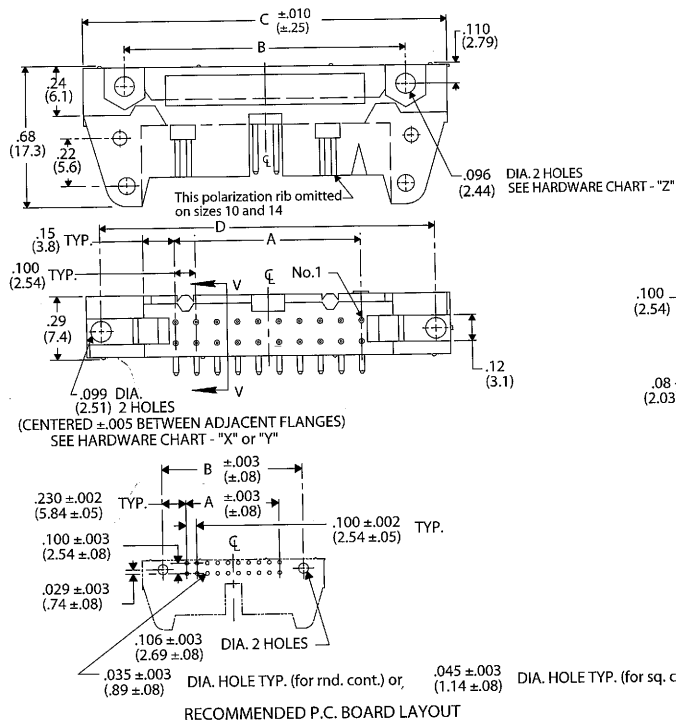


Headers

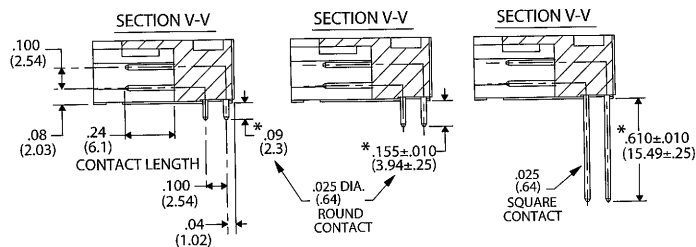
Engineering Dimensions

Dimensions

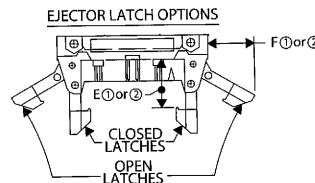
Right Angle Header



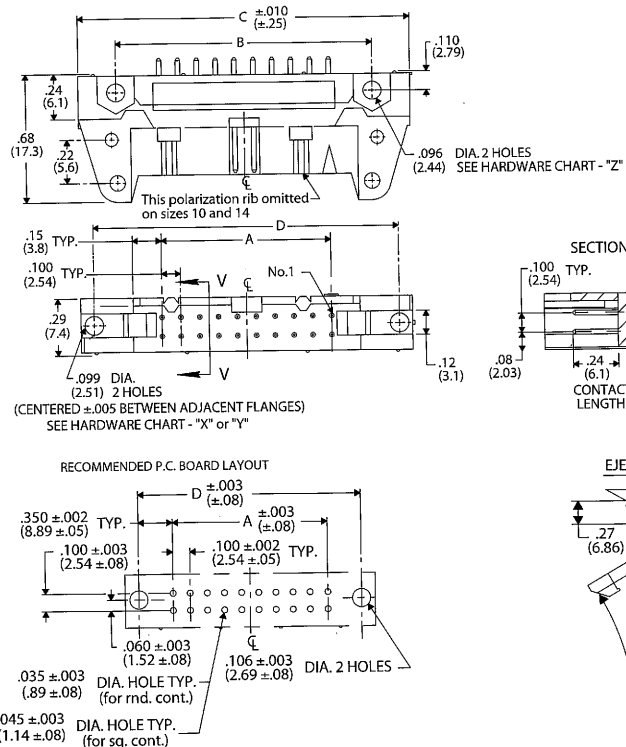
HARDWARE CHART			
TYPE	"X"	"Y"	"Z"
THREAD	2-56 UNC	1-72 UNF	2-56 UNC
HEAD	HEX.	RND.	OPT.



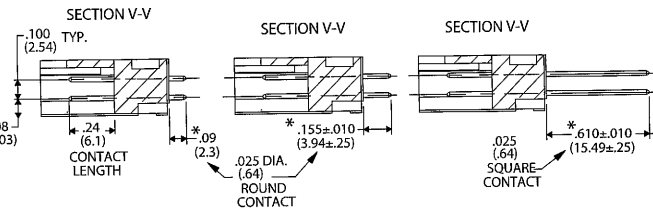
*** Contact lengths and Tolerances are different for Mil-Dtl Connectors. Consult factory for specifications.**



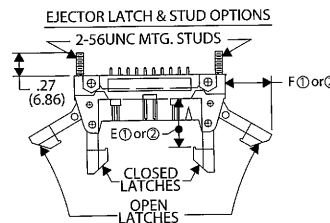
Straight Header



HARDWARE CHART			
TYPE	"X"	"Y"	"Z"
THREAD	2-56 UNC	1-72 UNF	2-56 UNC
HEAD	HEX.	RND.	OPT.



*** Contact lengths and Tolerances are different for Mil-Dtl Connectors. Consult factory for specifications.**



Specifications and Ordering Information

Specifications

- Contacts: phosphor bronze standard
- Contact Plating: 30μ in. gold (in mating area) over 50μ in. nickel, standard; 10μ gold (in mating area) over 50μ in. nickel, optional; 50μ in. gold (in mating area) over 50μ in. nickel, optional
- Insulator Material: UL 94V-0 flame - retardant thermoplastic
- Color: blue
- Operating Temperature: -55°C to +125°C
- Current Rating: 1A (maximum) per contact
- Dielectric Withstand Voltage: greater than 500 Vdc at sea level
- Insulation Resistance: greater than 5 x 10⁹ ohms
- U.S. Defense Department Mil-DTL-83503/20, 21, approved

How to Order Header Connectors

CWN-XXX-XX-XXXX

Type of Connector
 3=polarized header
 4=non-polarized header*

Pin Configuration
 0=right angle solder pins, .090" long
 1=right angle solder pins, .155" long
 2=right angle wire wrap
 5=straight solder pins, .090" long
 6=straight solder pins, .155" long
 7=straight wire wrap pins

Latches
 0=no latches
 1=short latches for non-strain relief sockets (.425")
 2=long latches for strain relief sockets (.573")

Number of Contacts
 (10, 14, 16, 20, 26, 34, 40, 50, 60)

Plating
 0021=30μ gold (in mating area) over 50μ in. nickel (standard)
 0000=10μ in. gold (in mating area) over 50μ in. nickel
 0022=50μ in. gold (in mating area) over 50μ in. nickel Mil-DTL -83503 approved.
CWN-3X2 versions only
 0077=Duplex plated, 30μ in. gold in mating area, 100μ in. tin-lead in solder pin area, all over 50μ in. nickel (optional)

HEADER DIMENSION CHART

NO. CONT'S	A	B	C	D	E _①	E _②	F _①	F _②
10	.400 (10.16)	.860 (21.84)	1.260 (32.00)	1.100 (27.94)				
14	.600 (15.24)	1.060 (26.92)	1.460 (37.08)	1.300 (33.02)				
16	.700 (17.78)	1.160 (29.46)	1.560 (39.62)	1.400 (35.56)				
20	.900 (22.86)	1.360 (34.54)	1.760 (44.70)	1.600 (40.64)				
26	1.200 (30.48)	1.660 (42.16)	2.060 (52.32)	1.900 (48.26)	.425 (10.80)	.573 (14.55)	.40 (10.2)	.51 (12.6)
34	1.600 (40.64)	2.060 (52.32)	2.460 (62.48)	2.300 (58.42)				
40	1.900 (48.26)	2.360 (59.94)	2.760 (70.10)	2.600 (66.04)				
50	2.400 (60.96)	2.860 (72.64)	3.260 (82.80)	3.100 (78.74)				
60	2.900 (73.66)	3.360 (85.34)	3.760 (95.50)	3.600 (91.44)				

E_① and F_① pertains to all headers with short latches

E_② and F_② pertains to all headers with long latches

*Polarizing ribs removed

Mouser Electronics

Authorized Distributor

Click to View Pricing, Inventory, Delivery & Lifecycle Information:

CW Industries:

[CWN-300-14-0000](#) [CWN-350-20-0000](#) [CWN-350-34-0000](#) [CWN-300-26-0000](#) [CWN-350-34-0021](#) [CWN-HK-04](#)
[CWN-SR-14](#) [CWN-SR-16](#) [CWN-502-10-0021](#) [CWN-572-50-0021](#) [CWN-360-40-0000](#) [CWN-HK-01](#) [CWN-622-20-](#)
[0000](#) [CWN-351-34-0000](#) [CWN-350-14-0021](#) [CWN-302-16-0000](#) [CWN-HK-05](#) [CWN-352-26-0021](#) [CWN-501-60-0060](#)
[CWN-562-20-0021](#) [CWN-551-20-0021](#) [CWN-HK-02](#) [CWN-521-60-0060](#) [CWN-590-34-9004](#) [CWN-LK-S](#) [CWN-292-](#)
[15-8901](#) [CWN-312-34-0022](#) [CWN-HK-06](#)