

THIS DRAWING IS UNPUBLISHED.

RELEASED FOR PUBLICATION

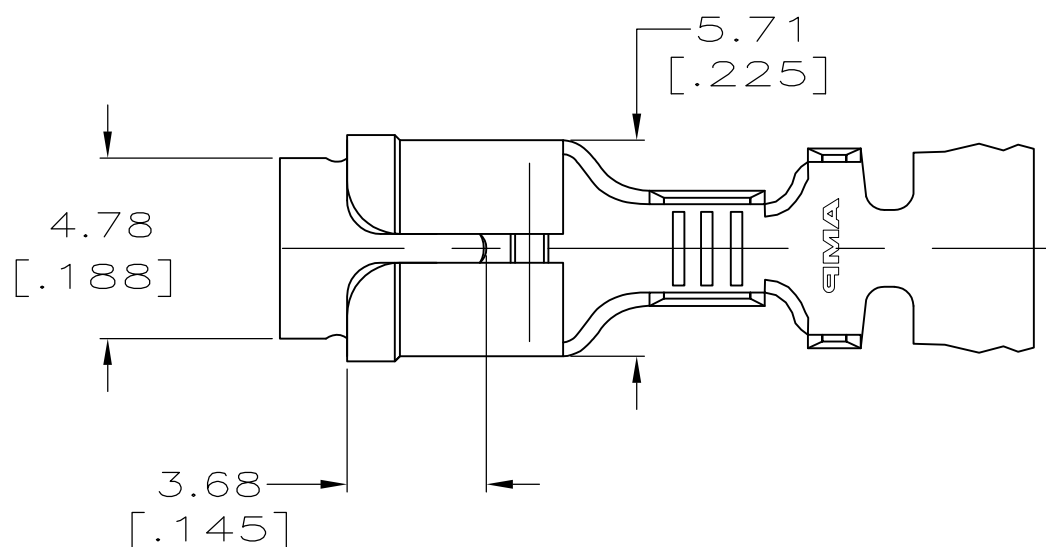
ALL RIGHTS RESERVED.

© COPYRIGHT - By -

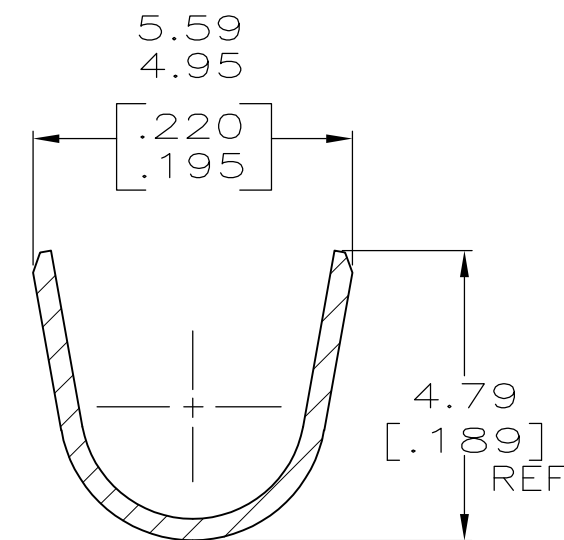
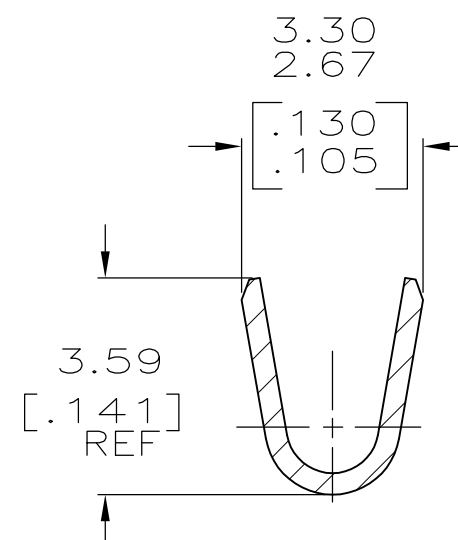
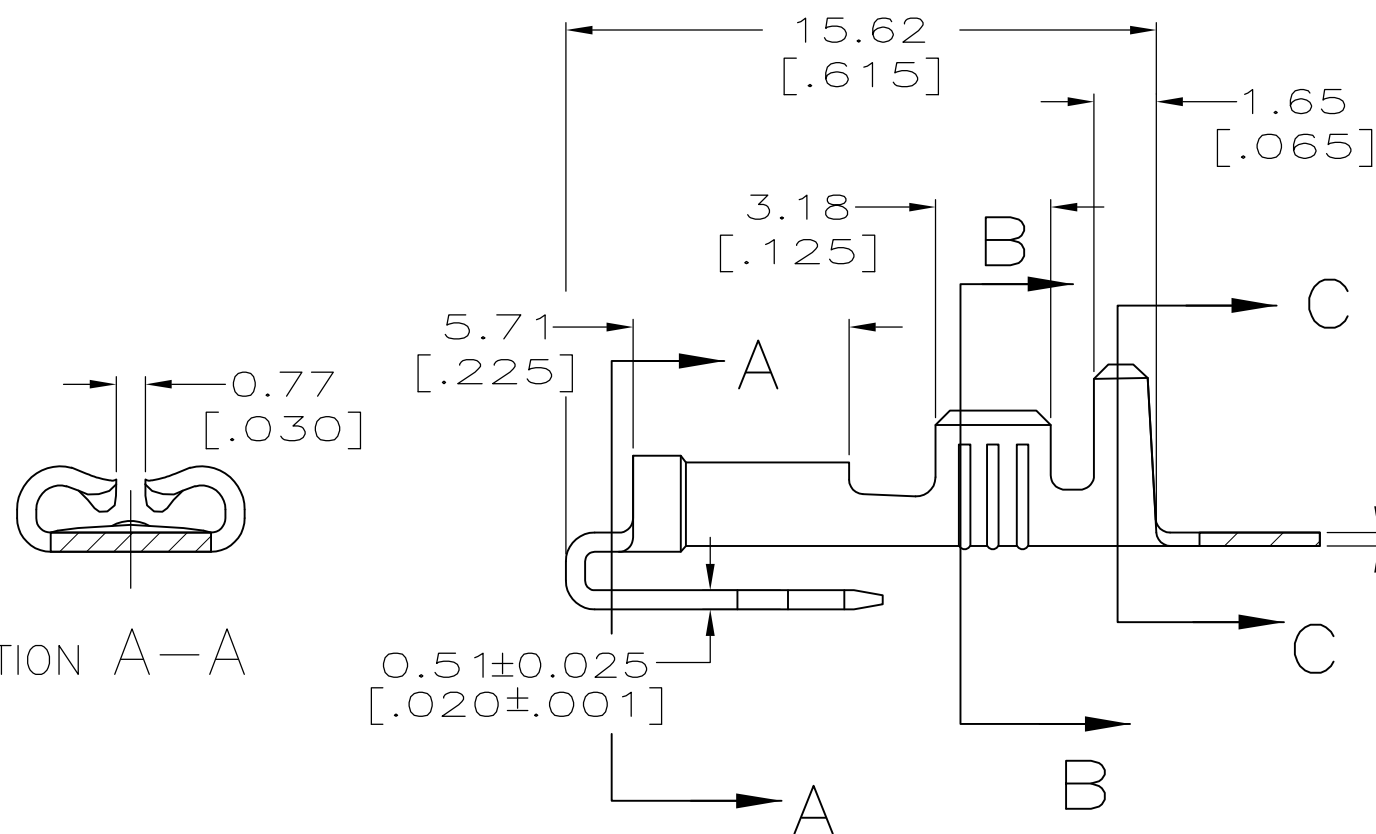
LOC AF DIST 50

REVISIONS

P	LTR	DESCRIPTION	DATE	DWN	APVD
	C	REVISED PER ECR-12-013518	26NOV2012	KH	PD



- CONTINUOUS STRIP ON REELS.
- WIRE SIZE IS [#18-#14] AWG.
- INSULATION RANGE IS 2.79-4.06 [.110-.160] DIA.
- MATING TAB THK IS 0.51±0.025 [.020±.001].



SECTION A-A

SECTION B-B SCALE 8:1

SECTION C-C SCALE 8:1

1217151-1 PART NO.

THIS DRAWING IS A CONTROLLED DOCUMENT.		DWN JR RUTH 6MAY99	STE TE Connectivity		
DIMENSIONS: mm [INCHES]		CHK MS FEHER 6MAY99			
TOLERANCES UNLESS OTHERWISE SPECIFIED:		APVD S HEADER 6MAY99	NAME RECEPTACLE, PIGGYBACK, FASTON, 4.75 [.187] SERIES		
0 PLC ± -		PRODUCT SPEC	SIZE A3 CAGE CODE 00779 DRAWING NO C-1217151 RESTRICTED TO -		
1 PLC ± -		APPLICATION SPEC	SCALE 5:1 SHEET 1 OF 1 REV C		
2 PLC ± 0.25 [.010]		WEIGHT -			
3 PLC ± -		CUSTOMER DRAWING			
4 PLC ± -					
ANGLES ± -					
MATERIAL BRASS	FINISH TIN				

Mouser Electronics

Authorized Distributor

Click to View Pricing, Inventory, Delivery & Lifecycle Information:

[TE Connectivity:](#)

[1217151-1 \(Cut Strip\)](#) [1217151-1 \(Mouser Reel\)](#)