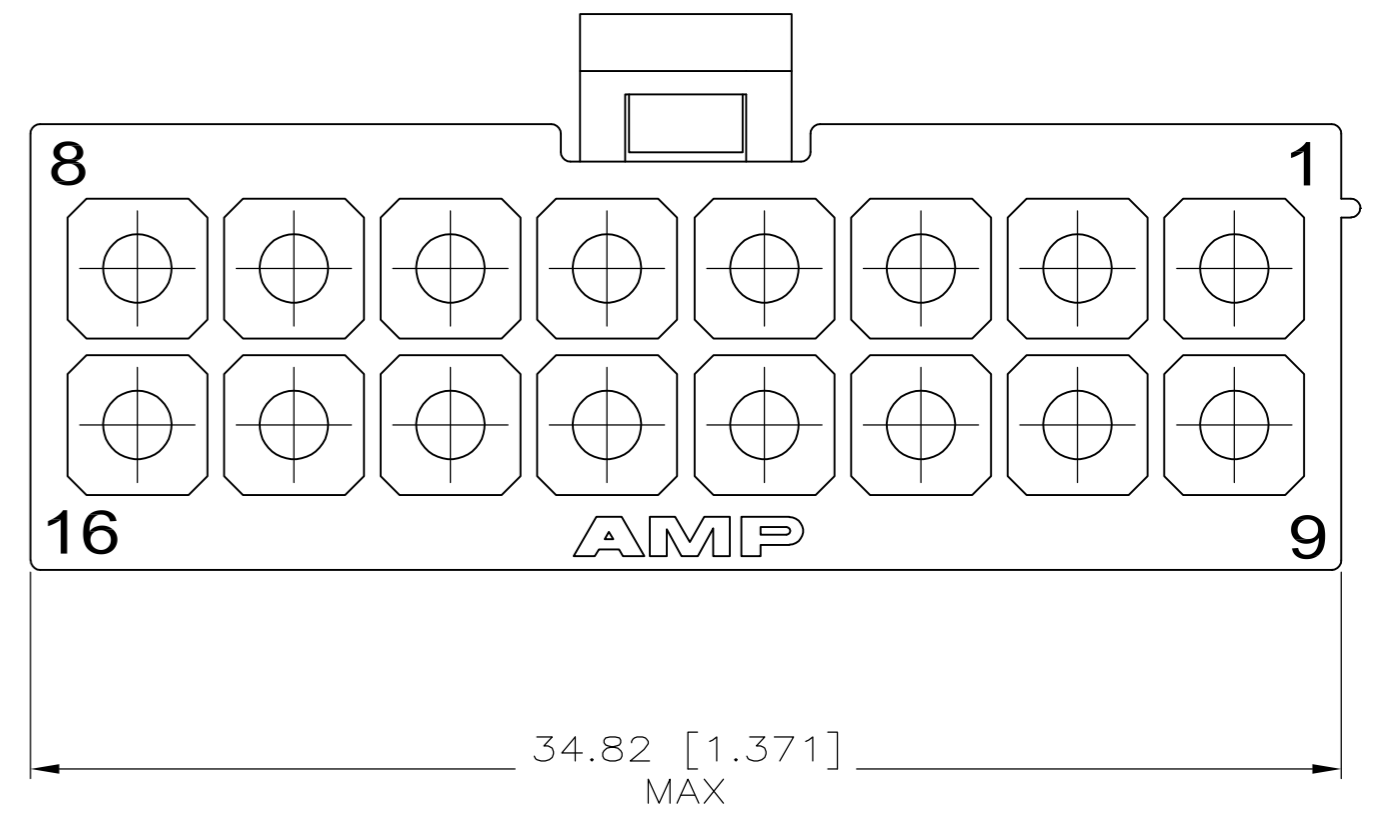
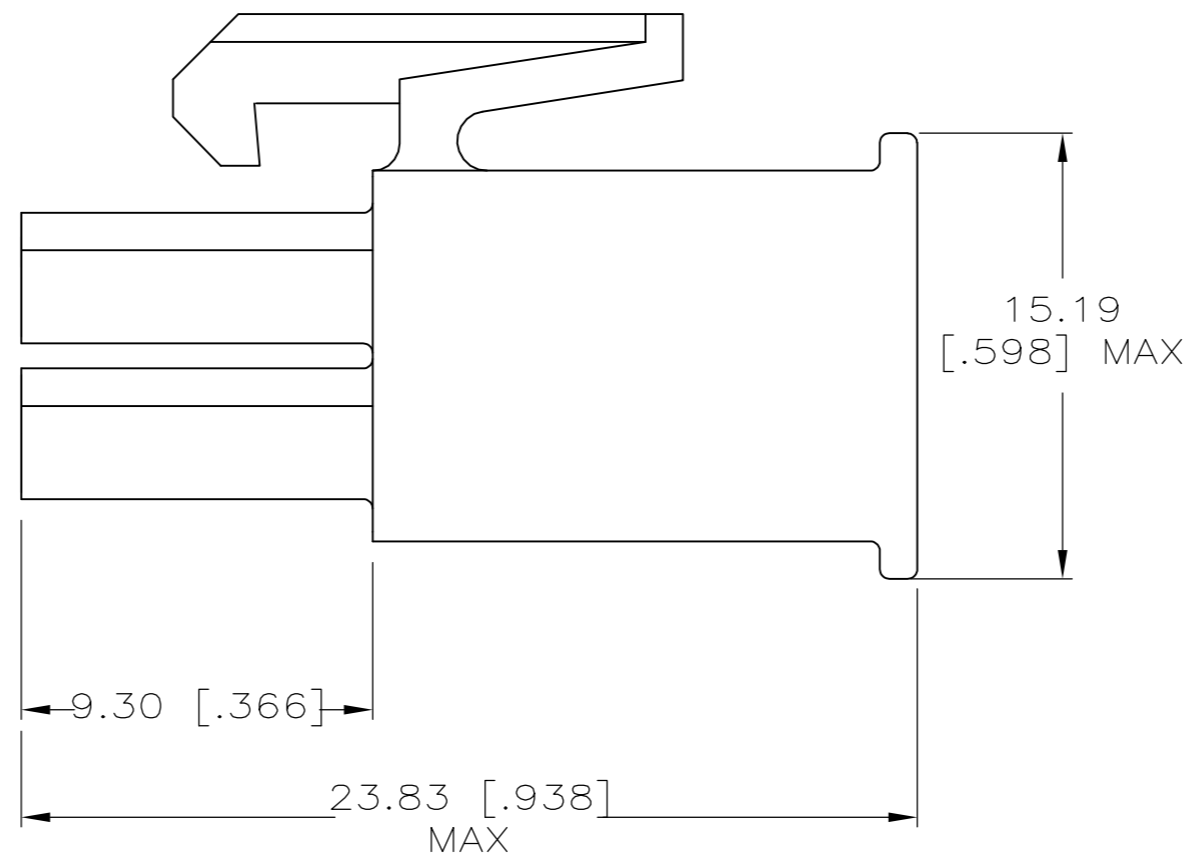
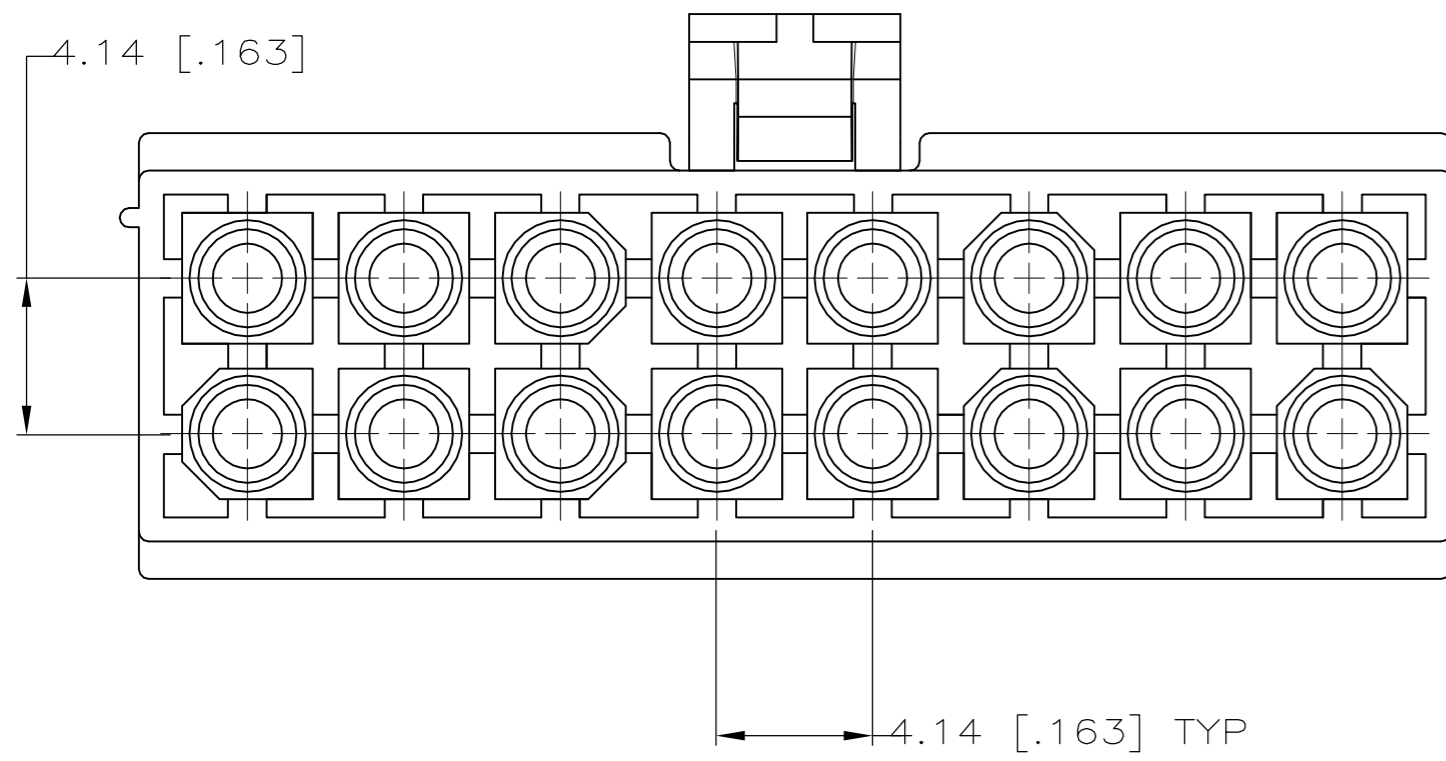


THIS DRAWING IS UNPUBLISHED. RELEASED FOR PUBLICATION
 © COPYRIGHT By - ALL RIGHTS RESERVED.

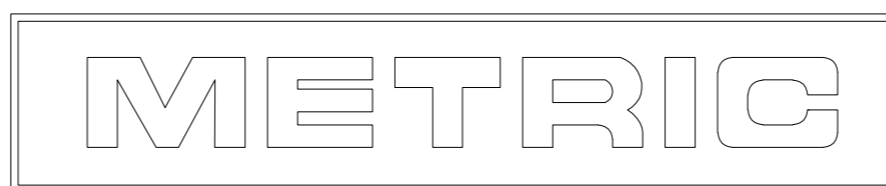
LOC	DIST	REVISIONS			
P	LTR	DESCRIPTION	DATE	DWN	APVD
CM	00				
	K	REVISED PER ECR-15-001261	02MAR15	SC	KD

1. INDIVIDUAL CORING FEATURES AROUND BASES OF SILOS MAY NOT BE PRESENT IN ALL LOCATIONS SHOWN.



770583

770583-1
PART NUMBER



THIS DRAWING IS A CONTROLLED DOCUMENT.		DWN S. HOOVER 12-MAY-2004		
DIMENSIONS: mm [INCHES]		CHK C. JONES 12-MAY-2004		
TOLERANCES UNLESS OTHERWISE SPECIFIED:		APVD C. JONES 12-MAY-2004	NAME	
0 PLC ±		PRODUCT SPEC	PLUG, 16 CIRCUIT, MINI UNIVERSAL MATE-N-LOK™	
1 PLC ±		APPLICATION SPEC	SIZE	CAGE CODE
2 PLC ±		WEIGHT	A2	00779
3 PLC ± 0.13 [.005]		CUSTOMER DRAWING	DRAWING NO C=770583	
4 PLC ±		SCALE	5:1	SHEET
ANGLES ±		RESTRICTED TO	1 OF 1	
FINISH		REV	K	
MATERIAL NYLON, UL 94V-0 WHITE				