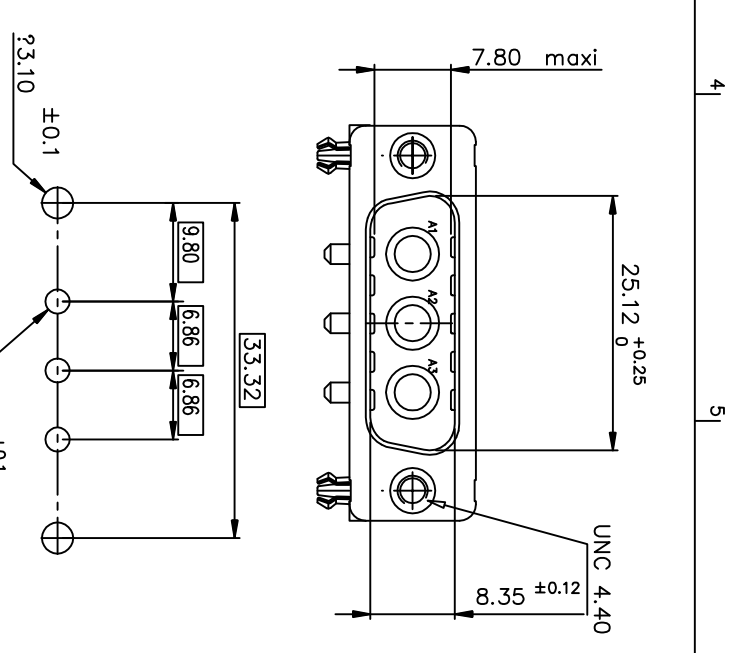
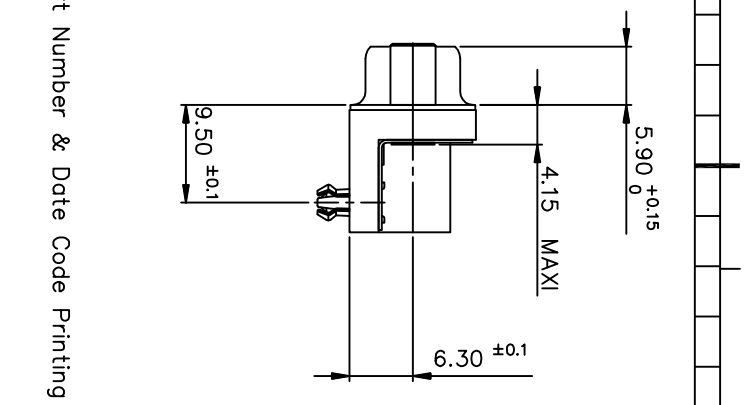
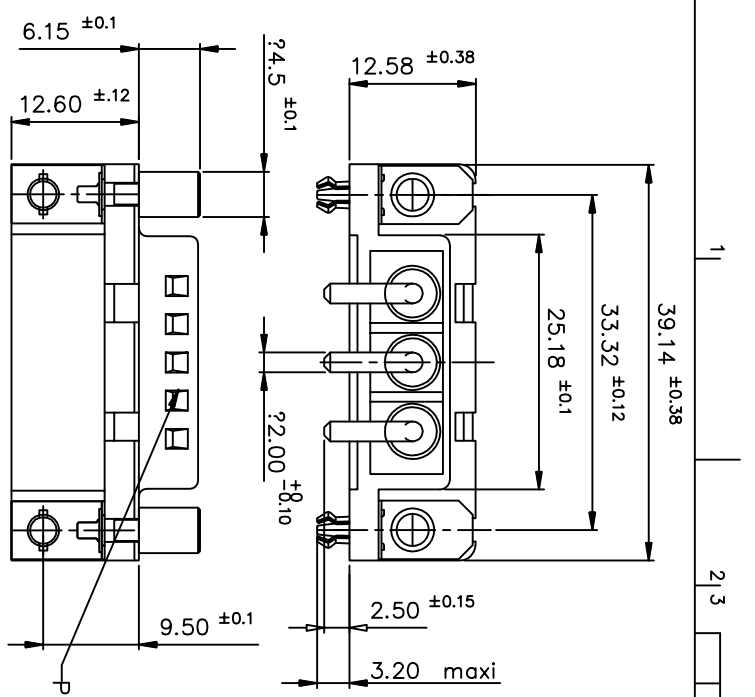




FCIconnect.com

Copyright FCI



REQUIREMENTS

Technical characteristics:

- Shell: steel tin plated
- Insulators: self-extinguishing thermoplastic, ULclass94V0
- Contacts: brass, 0.76 Au +2 Ni mini on mating end and 2 SnPb +1.27 Ni mini on termination end
- Grounding brackets: brass, tin plated
- Female screwlock: brass, tin plated
- Harpoon: brass, tin plated

Electrical characteristics:

- max. current rating: 30A per contact
- Test voltage: 1000V
- Rated voltage: 300V
- Contact resistance: ?5m?
- Shell resistance: ?5m?
- Insulation resistance: ?5000M?
- Climatic characteristics:
- Operating temperature range: -55?c +125?c
- Dimensions:
- in accordance with MIL-C-24308

Part Number & Date Code Printing

PC card drilling dimensions

(thickness 1.60mm)

D3W3P36AGV08**

LF FOR LEAD FREE

FOR ROHS DETAILS REFER DWG.NO: C01-8646-0000

mat'l. code		surface		tolerance		projection		product family	
lfr	ecn no	dr	date	ISO 1302	ISO 406 ISO 1101	ISO 1101	MM	D-SUB	
E	106-0124	JS	2005-07-27			0.1			
F	106-0074	SK	2006-06-08			0.1			
		O.X ± 1°		0.1					
		dr JOHN SLEEBA 1994-07-06							
		enrg GEORGE VJ 1994-07-06							
		chr GEORGE VJ 2005-07-27							
		apdd (K) VSD 2005-07-27							
sheet	revision	F							
index	sheet	1							
		type Product Customer Drawing							
		dwg no							
		C01-8646-0246							
		sheet 1 of 1							
		A3							
		SUB DELTA D3W3 WITH POWER CONTACTS							
		right angle - UNC4-40 harpoon							

1 2 3 4 5 6

Mouser Electronics

Authorized Distributor

Click to View Pricing, Inventory, Delivery & Lifecycle Information:

[FCI / Amphenol:](#)

[D3W3P36A6GV08LF](#)