

# TG/LTG

## TG/LTG-Series

### ROCKER SWITCHES

The TG-Series Mid-Sized Tippette rocker switches are single or double pole and feature an all nylon double-insulated construction. These switches are designed with snap-in mounting for fast, low cost assembly. The illuminated version (LTG) is available with either a paddle or rocker actuator. These AC rated switches are also suitable for low-voltage DC applications assuring compatibility for a wide range of markets.



#### Product Highlights:

- Single or Double Pole
- Gloss Finish Surfaces
- Illuminated or Non-Illuminated
- 20 Available Circuit Options

#### Typical Applications:

- Appliance
- HVAC
- Food Service
- Transportation



**Dielectric Strength**

UL/CSA:  
1000V - live to dead metal parts

**Mechanical Life**

100,000 cycles

**Electrical Life**

50,000 cycles - maintained  
25,000 cycles - momentary

**Operating Temperature**

32°F to 185°F (0°C to 85°C)

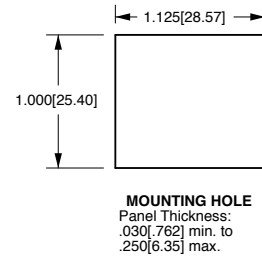
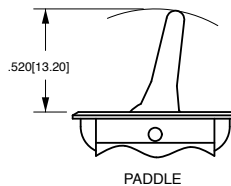
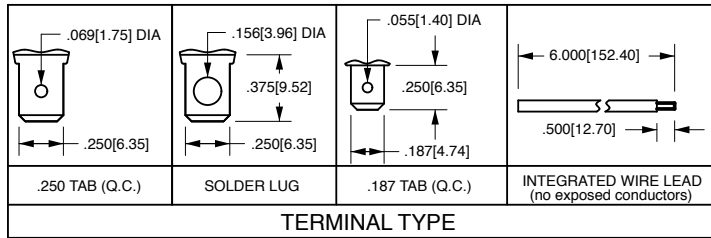
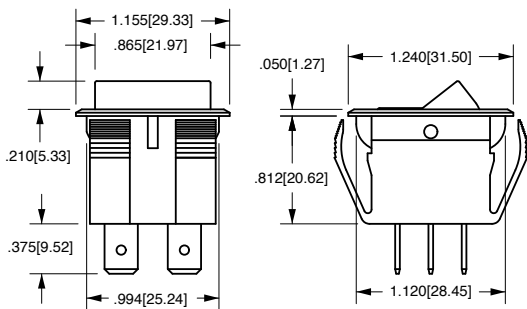


1 Base Part Number    2 Circuit    3 Center Position    4 Rating    5 Termination    6 Actuator Style    7 Actuator Color    8 Base Color    9 Lens Color    10 Lamp Voltage

<b>1 BASE PART NUMBER: SERIES</b>				
<b>TG</b>	Double Pole, Non-Lighted			
<b>LTG</b>	Double Pole with Indicator Lights			
<b>2 CIRCUIT <sup>1</sup></b>				
See Circuit Designation Chart				
<b>3 CENTER POSITION</b>				
<b>C</b>	Center OFF, Three position			
<b>O</b>	No Center OFF, Two position			
<b>4 RATING</b>				
<b>40</b>	5A 250VAC, 10A 125VAC, 1/2HP 125-250VAC			
<b>41</b>	5A 250VAC, 10A 125VAC			
<b>50</b>	10A 250VAC, 15A 125VAC, 3/4HP 125-250VAC			
<b>51</b>	10A 250VAC, 15A 125VAC			
<b>5 TERMINATION / FUNCTION</b>				
	Solder Lug	.250 Tab QC	.187 Tab QC	Wire Leads
On-None-Off	<b>O</b>	<b>1</b>	<b>3</b>	<b>5</b>
(On)-None-Off	<b>A</b>	<b>B</b>	<b>D</b>	<b>F</b>
On-None-(Off)	<b>L</b>	<b>M</b>	<b>R</b>	<b>T</b>
On-None-On	<b>O</b>	<b>1</b>	<b>3</b>	<b>5</b>
On-None-(On)	<b>A</b>	<b>B</b>	<b>D</b>	<b>F</b>
On-Off-On	<b>O</b>	<b>1</b>	<b>3</b>	<b>5</b>

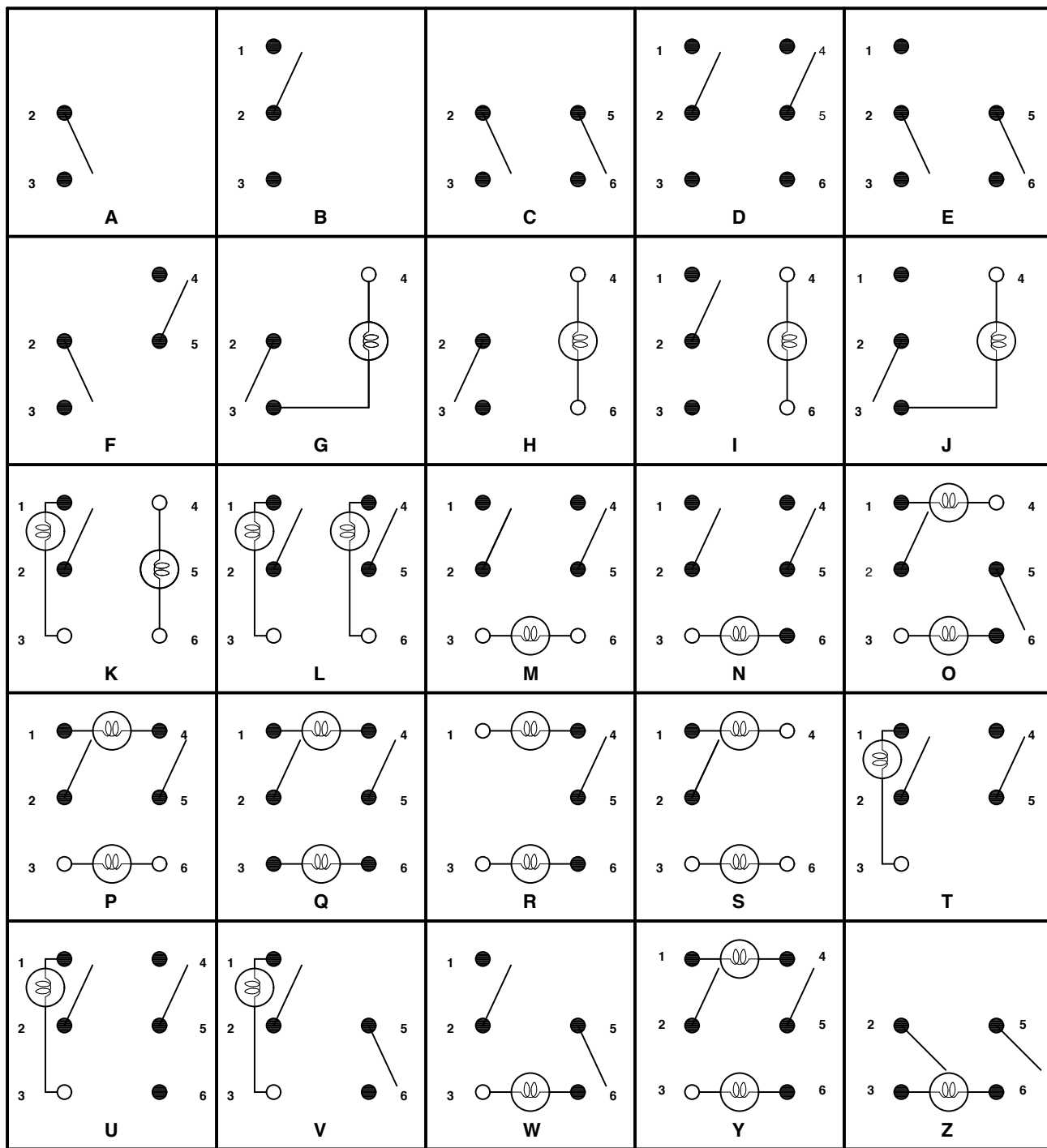
<b>6 ACTUATOR STYLE</b>		
<b>P</b>	Paddle	<b>T</b> Rocker
<b>7 ACTUATOR COLOR <sup>2</sup></b>		
<b>B</b>	Black	<b>W</b> White
<b>8 BASE COLOR <sup>2</sup></b>		
<b>B</b>	Black	<b>W</b> White
<b>9 LENS COLOR <sup>3</sup></b>		
<b>A</b>	Amber	<b>C</b> Clear
		<b>R</b> Red
<b>10 LAMP VOLTAGE</b>		
<b>incandescent</b>		<b>neon</b>
<b>6V</b>	6 volt	<b>125N</b> 125 volt neon
<b>12V</b>	12 volt	<b>250N</b> 250 volt neon
<b>18V</b>	18 volt	
<b>24V</b>	24 volt	
<b>28V</b>	28 volt	

Notes:  
Imprinting is available. Consult factory.  
Panel Cut-Out Recommendations: For sheet metal panels, switch must enter panel in same direction as the punch. (Burr on bottom.) Test cut hole in actual material.  
1 TG available with circuits A, B, C, D, E, F; LTG available with circuits G, H, I, J, M, N, P, Q, R, T, U, V, Y, Z.  
2 Custom colors are available. Consult factory.  
3 Specify lens color for LTG-Series only.  
(.) Indicates momentary function.



\*Manufacturer reserves the right to change product specification without prior notice.

### Circuit Designation Chart:



● CONTACT TERMINAL  
Will make contact with switching lever

● CONTACT TERMINAL AND SWITCH LEVER

○ ISOLATED TERMINAL  
Does not make contact with switching lever

○ BULB



## Authorized Sales Representatives and Distributors

Click on a region of the map below to find your local representatives and distributors or visit [www.carlingtech.com/findarep](http://www.carlingtech.com/findarep).



## About Carling

Founded in 1920, Carling Technologies is a leading manufacturer of electrical and electronic switches and assemblies, circuit breakers, electronic controls, power distribution units, and multiplexed power distribution systems. With four ISO registered manufacturing facilities and technical sales offices worldwide, Carling Technologies Sales, Service and Engineering teams do much more than manufacture electrical components, they engineer powerful solutions! To learn more about Carling please visit [www.carlingtech.com/company-profile](http://www.carlingtech.com/company-profile).

To view all of Carling's environmental, quality, health & safety certifications please visit [www.carlingtech.com/environmental-certifications](http://www.carlingtech.com/environmental-certifications)

## **Worldwide Headquarters**

Carling Technologies, Inc.  
60 Johnson Avenue, Plainville, CT 06062  
**Phone:** 860.793.9281 **Fax:** 860.793.9231  
**Email:** sales@carlingtech.com

**Northern Region Sales Office:** nrsm@carlingtech.com  
**Southeast Region Sales Office:** sersm@carlingtech.com  
**Midwest Region Sales Office:** mrrsm@carlingtech.com  
**West Region Sales Office:** wrsm@carlingtech.com  
**Latin America Sales Office:** larsm@carlingtech.com

## **Asia-Pacific Headquarters**

Carling Technologies, Asia-Pacific Ltd.,  
Suite 1607, 16/F Tower 2, The Gateway,  
Harbour City, 25 Canton Road,  
Tsimshatsui, Kowloon, Hong Kong  
**Phone:** Int + 852-2737-2277 **Fax:** Int + 852-2736-9332  
**Email:** sales@carlingtech.com.hk

**Shenzhen, China:** shenzhen@carlingtech.com  
**Shanghai, China:** shanghai@carlingtech.com  
**Pune, India:** india@carlingtech.com  
**Kaohsiung, Taiwan:** taiwan@carlingtech.com  
**Yokohama, Japan:** japan@carlingtech.com

## **Europe | Middle East | Africa Headquarters**

Carling Technologies LTD  
4 Airport Business Park, Exeter Airport,  
Clyst Honiton, Exeter, Devon, EX5 2UL, UK  
**Phone:** Int + 44 1392.364422 **Fax:** Int + 44 1392.364477  
**Email:** ltd.sales@carlingtech.com

**Germany:** gmbh@carlingtech.com  
**France:** sas@carlingtech.com



**Carling Technologies®**

Innovative Designs. Powerful Solutions.

# Mouser Electronics

Authorized Distributor

Click to View Pricing, Inventory, Delivery & Lifecycle Information:

## Carling Technologies:

[LTGNO500-TB-B-R/125N](#) [LTGQC501-TB-B-R/12V](#) [TGD0501TBB](#) [TGCO501-TR-BXWS1](#) [LTGMO500-TB-B-R/125N](#)  
[TGCO511-TR-B/I-O](#) [LTGTO511-TB-B-R/12V-XLT1](#) [TGCO401-TB-B](#) [LTG-UO511-TB-BR125](#) [TGCO401-TB-B/I-O](#)  
[TGDO411-TB-B](#)