

**KC-Series — 25 kV Relays**

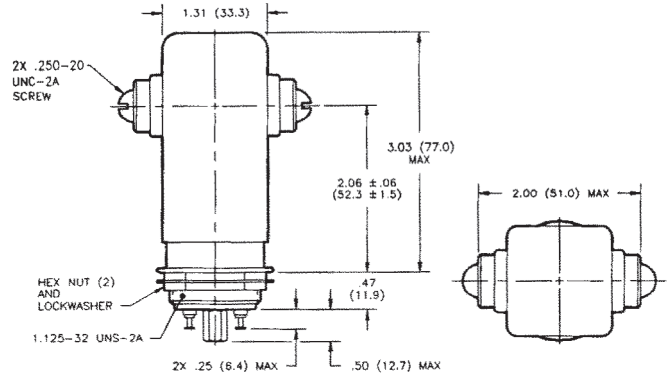
**KC-22, KC-32  
Make & Break Load  
Switching**

**Product Facts for KC-22**

- Tungsten contacts for power switching

**Product Facts for KC-32**

- Normally closed version of KC-22
- Vacuum dielectric for power switching low current loads



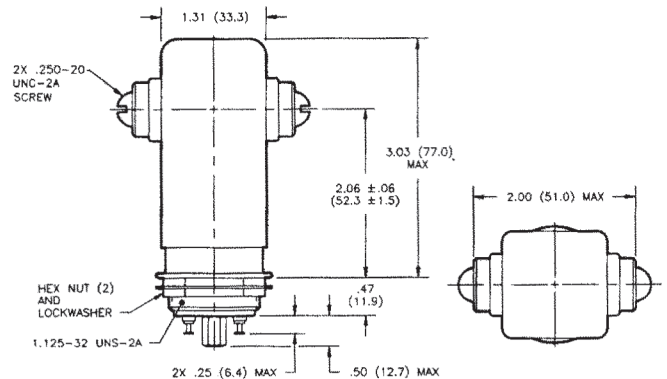
**KC-28, KC-38  
Make Only Load Switching**

**Product Facts for KC-28**

- SF-6 gas-filled for capacitive discharge and “make only” applications
- Capable of switching 2000 Amps peak capacitive discharge for 400 nanoseconds

**Product Facts for KC-38**

- Normally closed version of KC-28
- SF-6 gas-filled for capacitive discharge and “make only” applications



**Product Specifications for KC-22, KC-32, KC-28 & KC-38**

- Contact Arrangement** —  
 KC-22 and KC-28 — SPST-NO  
 KC-32 and KC-38 — SPST-NC
- Contact Form** —  
 KC-22 and KC-28 — X  
 KC-32 and KC-38 — Y
- Test Voltage, DC or 60 Hz (Peak)** —  
 28 kV
- Rated Operating Voltage (Peak)** —  
 DC or 60 Hz — 25 kV

- Continuous Carry Current, Max.** —  
 DC or 60 Hz — KC-22 — 65 A  
 KC-32 — 45 A  
 KC-28 — 30 A  
 KC-38 — 15 A  
 Coil Hi-Pot (Vrms, 60 Hz) — 500 A

- Contact Capacitance** —  
 Between Open Contacts —  
 KC-22 and KC-32 — 2.5 pF  
 Open Contacts to Ground —  
 KC-22 and KC-32 — 2.5 pF

- Contact Resistance, Max.** —  
 KC-22 — 0.005 ohm  
 KC-32 — 0.01 ohm  
 KC-28 — 1.0 ohm\*  
 KC-38 — 1.0 ohm\*

- Operate Time, Max.** — 18 ms  
**Release Time, Max.** —  
 KC-22 and KC-28 — 10 ms  
 KC32 and KC-38 — 20 ms

- Shock, 11ms, 1/2 Sine (Peak)** —  
 30 g  
**Vibration** —  
 Peak — 10 g (55 to 500 Hz)  
**Operating Ambient Temperature Range** — -55°C to +125°C  
**Mechanical Life** — 2 million cycles  
**Weight, Nominal** — 340 g (12 oz.)

**Coil Data**

| Volts, Nominal DC      | 12 V     | 26.5 V   | 115 V    |
|------------------------|----------|----------|----------|
| Pickup, Max.           | 8 Vdc    | 16 Vdc   | 80 Vdc   |
| Dropout                | .5-5 Vdc | 1-10 Vdc | 5-50 Vdc |
| Coil Resistance (±10%) | 24 Ω     | 120 Ω    | 2000 Ω   |

Ratings listed are for 25°C, sea level conditions

For factory-direct application assistance, dial 800-253-4560, ext. 2055, or 805-220-2055.

**Ordering Information**

