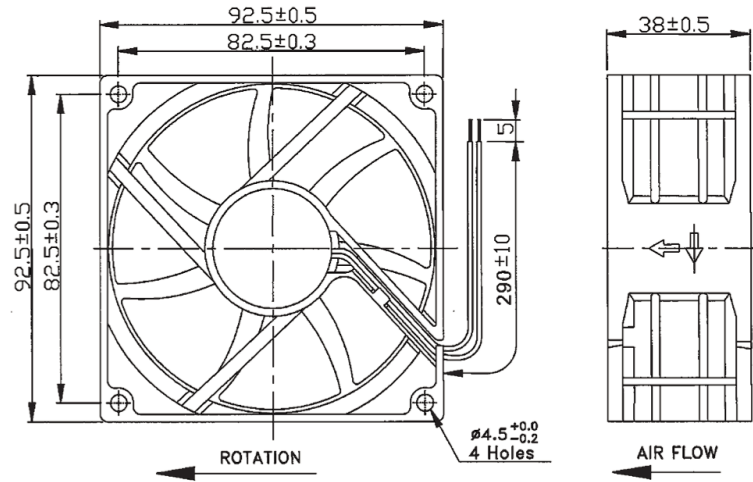


# OD9238 VA Series

Vaneaxial, High Pressure

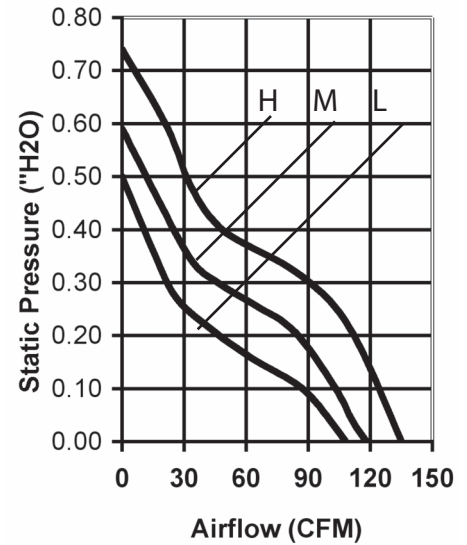


DC Fan - 12, 24, 48V  
92x38mm (3.62" x 1.5")



Frame & Impeller	PBT, UL94V-0 plastic
Connection	2x Lead wires, 290mm, UL1007, AWG 24
Motor	Brushless DC, auto restart, polarity protected.
Bearing System	Dual ball bearing
Insulation Resistance	Min. 10M at 500VDC
Dielectric Strength	1 minute at 500 VAC, max leakage < 500 MicroAmp
Temperature Range	-10C ~ 70C
Storage Temperature	-40C ~ +80C

**Available Options:**  
 IP55  
 Tachometer (FG)  
 Alarm  
 PWM  
 Super High Speed (150CFM)  
 Life Expectancy (L10)  
 75,000 hours (40C)  
 Weight: ~0.42 lbs.  
 m1



Model Number	Speed (RPM)	Airflow (CFM)	Noise (dB)	Volts DC	Real Power (Watts)	Nominal Current (Amps)	Max. Static Pressure ("H <sub>2</sub> O)
OD9238-12HBVXC	5400	135	58	12	16	1.3	0.74
OD9238-12MBVXC	4800	118	55	12	11	0.9	0.59
OD9238-12LBVXC	4400	108	52	12	9	0.75	0.50
OD9238-24HBVXC	5400	135	58	24	16	0.7	0.74
OD9238-24MBVXC	4800	118	55	24	11	0.5	0.59
OD9238-24LBVXC	4400	108	52	24	8	0.3	0.50
OD9238-48HBVXC	5400	135	58	48	17	0.4	0.74
OD9238-48MBVXC	4800	118	55	48	12	0.3	0.59
OD9238-48LBVXC	4400	108	52	48	9	0.2	0.50

# Mouser Electronics

Authorized Distributor

Click to View Pricing, Inventory, Delivery & Lifecycle Information:

## Orion Fans:

[OD9238-12MB-VXC](#) [OD9238-12LB-VXC](#) [OD9238-24MB-VXC](#) [OD9238-24LB-VXC](#) [OD9238-48MB-VXC](#) [OD9238-48LB-VXC](#) [OD9238-12HBVXC](#) [OD9238-48HBVXC](#) [OD9238-24HBVXC](#) [OD9238-12HBVXC10A](#) [OD9238-24HBVXC10A](#) [OD9238-24HBVXC10AIP55](#)